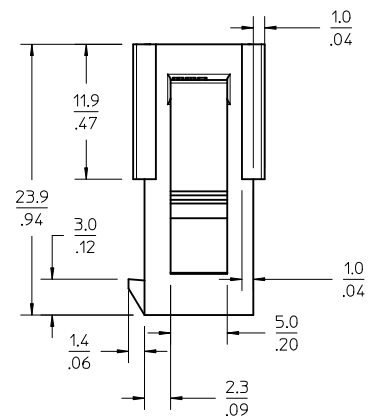
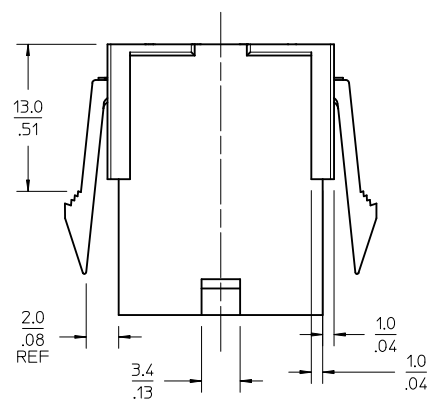
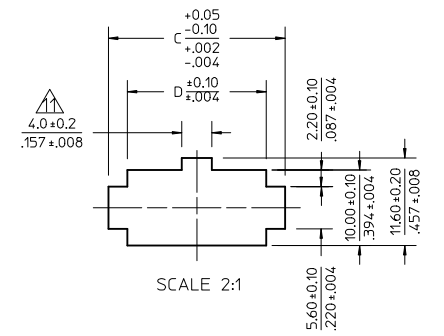


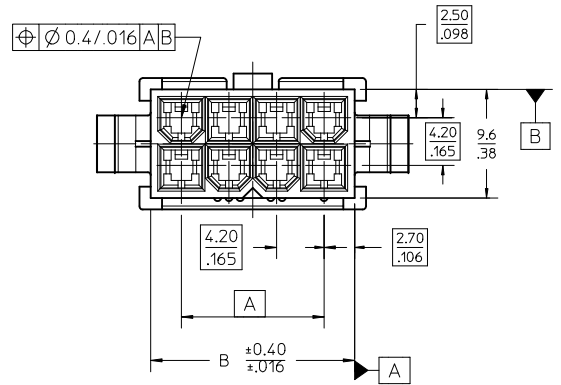
NOTES:
 1) MATERIAL:
 "BLANK" = NYLON 6/6, 94V-2, COLOR: NATURAL.
 "BL" = NYLON 6/6, 94V-2, COLOR: BLACK.
 "BU" = NYLON 6/6, 94V-2, COLOR: BLUE.
 "RE" = NYLON 6/6, 94V-2, COLOR: RED.
 "210" = NYLON 6/6, 94V-0, COLOR: NATURAL.
 2) FINISH: NOT APPLICABLE
 3) PRODUCT SPECIFICATION: PS-5556-001
 4) PACKAGING: BULK
 5) PART MATES WITH MOLEX RECEPTACLE #5557.
 6) PART IS TO BE USED WITH MOLEX MALE TERMINAL #5558.
 7) PART IS NOT DESIGNED FOR CURRENT SHARING.
 8) CONNECTORS ARE NOT TO BE MATED OR UNMATED WHILE CIRCUITS ARE LIVE.
 9) WIRES ARE TO BE DRESSED IN SUCH A MANNER TO ALLOW THE TERMINALS TO FLOAT FREELY IN THE POCKET.
 10) PART CONFORMS TO CLASS "B" REQUIREMENTS OF COSMETIC SPECIFICATION PS-45499-002 WITH THE EXCEPTION OF DISCOLORATION, FLASH AND SINK MEET CLASS "C" REQUIREMENTS.
 11 ON 2 CIRCUITS PARTS THIS DIMENSION IS ALLOWABLE UP TO "D" DIMENSION.
 12 PANEL HOLE TO BE PUNCHED OUT IN THE SAME DIRECTION AS INSERTION INTO THE PANEL.



LEGEND
 5559-**-P-**-
 BASE NO
 CIRCUIT SIZE (02-24)
 HOUSING TYPE: PLUG WITH MOUNTING EARS
 MATERIAL OPTION: (SEE NOTE 1)

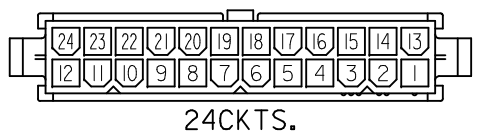
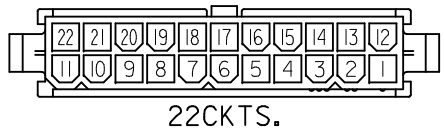
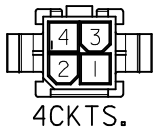
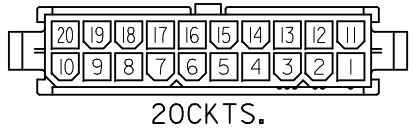
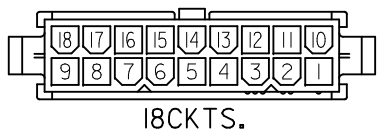
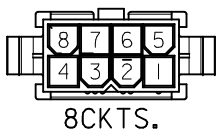
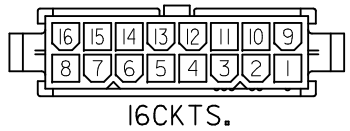
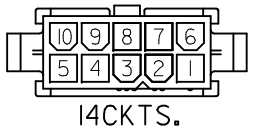
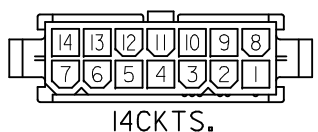
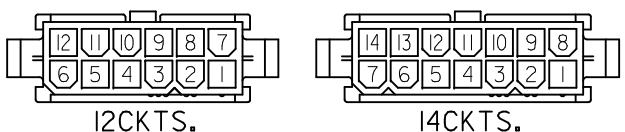


RECOMMENDED PANEL HOLE DIMENSIONS
 (THICKNESS : 0.8-2.0/0.32-0.79)



52.1/2.051	57.0/2.244	51.6/2.031	46.2/1.819	24
47.9/1.886	52.8/2.079	47.4/1.866	42.0/1.654	22
43.7/1.720	48.6/1.913	43.2/1.701	37.8/1.488	20
39.5/1.555	44.4/1.748	39.0/1.535	33.6/1.323	18
35.3/1.390	40.2/1.583	34.8/1.370	29.4/1.158	16
31.1/1.224	36.0/1.417	30.6/1.205	25.2/992	14
26.8/1.055	31.8/1.252	26.4/1.039	21.0/.827	12
22.6/.890	27.6/1.087	22.2/.874	16.8/.661	10
18.4/.724	23.4/.921	18.0/.709	12.6/.496	8
14.2/.559	19.2/.756	13.8/.543	8.4/.331	6
10.0/.394	15.0/.591	9.6/.378	4.2/.165	4
5.8/.228	10.8/.425	5.4/.213	---	2
D	C	B	A	CIRCUIT

REMOVED -04P-RE EC NO: UCP2010-2477 DRWNG: JAGUILAR 2010/04/09 CHKD: JBELL 2010/08/26 APPR: FSMITH 2010/08/27 REV J1	QUALITY SYMBOLS	GENERAL TOLERANCES (UNLESS SPECIFIED)	DIMENSION STYLE	SCALE	DESIGN UNITS	THIRD ANGLE PROJECTION
	▽=0	mm INCH	MM/IN	3:1	METRIC	
	▽=0	4 PLACES ± --- ± ---	DRAWN BY DATE	H.HIRAMOTO 1988/10/14	TITLE	NEW MINI. FIT CONNECTOR CRIMP PIN HOUSING
	▽=0	3 PLACES ± --- ± .012	CHECKED BY DATE	Y. YAMADA 1988/10/21	MATERIAL NO.	SD-5559-NP
	▽=0	2 PLACES ± .30 ± .016	APPROVED BY DATE	M. ENOMOTO 1988/10/24	DOCUMENT NO.	
	1 PLACE ± .40 ± ---	ANGULAR ± 3 °	SEE CHART			SHEET NO. 1 OF 2
		DRAFT WHERE APPLICABLE MUST REMAIN WITHIN DIMENSIONS	SIZE C	THIS DRAWING CONTAINS INFORMATION THAT IS PROPRIETARY TO MOLEX INCORPORATED AND SHOULD NOT BE USED WITHOUT WRITTEN PERMISSION		



CIRCUIT SIZE LAYOUT (SCALE : 2-1)

V-2 BLACK		V-2 BLUE		V-2 RED		V-0 NATURAL		V-2 NATURAL			
EDP NO.	ENG. NO.	CIRCUIT	EDP NO.	ENG. NO.	CIRCUIT	EDP NO.	ENG. NO.	CIRCUIT	EDP NO.	ENG. NO.	CIRCUIT
		24			24	39-01-2246	5559-24P-210	24	39-01-2241	5559-24P	24
		22			22	↑ -2226	↑ -22P-210	22	↑ -2221	↑ -22P	22
		20			20	↑ -2206	↑ -20P-210	20	↑ -2201	↑ -20P	20
		18			18	↑ -2186	↑ -18P-210	18	↑ -2181	↑ -18P	18
		16			16	↑ -2166	↑ -16P-210	16	↑ -2161	↑ -16P	16
		14			14	↑ -2146	↑ -14P-210	14	↑ -2141	↑ -14P	14
		12			12	↑ -2126	↑ -12P-210	12	↑ -2121	↑ -12P	12
		10			10	↑ -2106	↑ -10P-210	10	↑ -2101	↑ -10P	10
		8			8	↑ -2086	↑ -08P-210	8	↑ -2081	↑ -08P	8
		6			6	↑ -2066	↑ -06P-210	6	↑ -2061	↑ -06P	6
39-02-8065	5569-06P-BL	6			6	↓ -2046	↓ -04P-210	4	↓ -2041	↓ -04P	4
39-02-8045	5569-04P-BL	4			4			2			2
		2			2	39-01-2026	5559-02P-210	2	39-01-2021	5559-02P	2

SEE SHEET 1 EC NO: UCP2010-2477 DRWN: JAGUILAR 2010/04/09 CHKD: J.BELL 2010/08/26 APPR: F.S.MITH 2010/08/27	QUALITY SYMBOLS	GENERAL TOLERANCES (UNLESS SPECIFIED)		DIMENSION STYLE		SCALE	DESIGN UNITS	THIRD ANGLE PROJECTION	
	▽=0	mm	INCH	MM/IN		2:1	METRIC		
	▽=0	4 PLACES ± .005	± .012	DRAWN BY H.HIRAMOTO		DATE 1988/10/14	NEW MINI. FIT CONNECTOR CRIMP PIN HOUSING		
	▽=0	3 PLACES ± .005	± .016	CHECKED BY Y. YAMADA		DATE 1988/10/21			
		2 PLACES ± .030	± .040	APPROVED BY M. ENOMOTO		DATE 1988/10/24	MOLEX INCORPORATED SD-5559-NP		
	1 PLACE ± .40		ANGULAR ± 3°		MATERIAL NO.		DOCUMENT NO.	SHEET NO.	
J1	REV	DRAFT WHERE APPLICABLE MUST REMAIN WITHIN DIMENSIONS		SEE CHART		SD-5559-NP		2 OF 2	
				SIZE C		THIS DRAWING CONTAINS INFORMATION THAT IS PROPRIETARY TO MOLEX INCORPORATED AND SHOULD NOT BE USED WITHOUT WRITTEN PERMISSION			