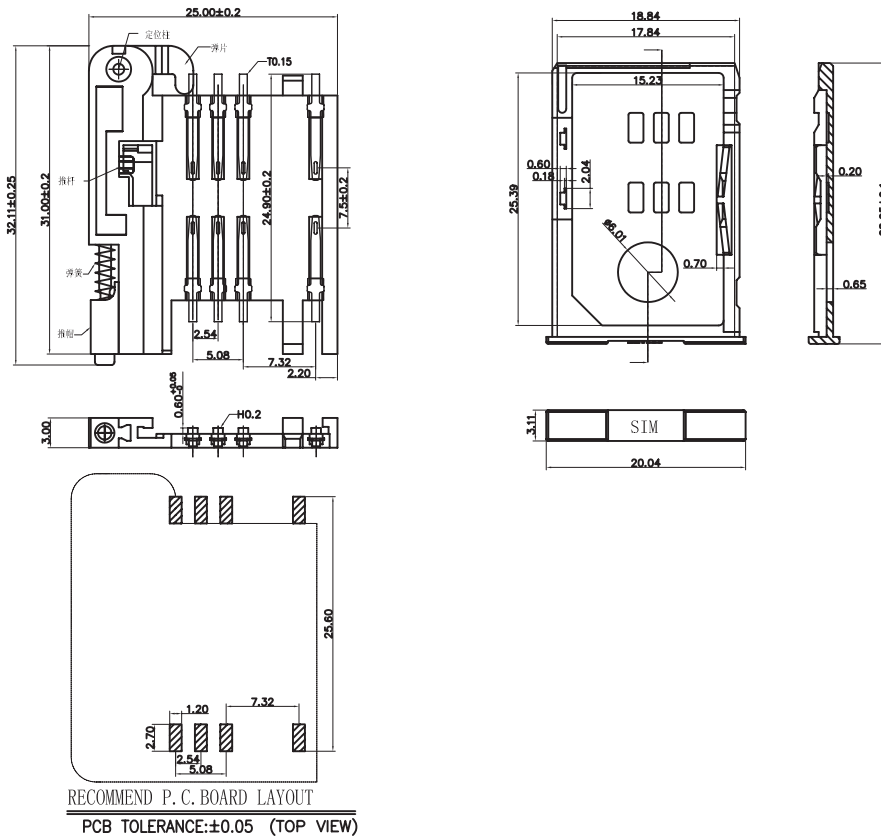


## Card Connectors

### KLS1-SIM-014-6P

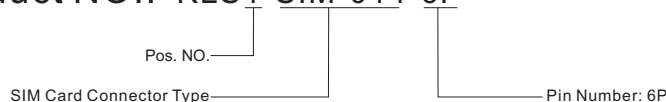
#### SPECIFICATIONS

- Current Rating: 3Amps
- Insulator body: L C P
- Insulator Resistance: 5000Mw Min
- Dielectric Withstanding: DC 500V
- Contact Resistance: 20MW Max
- Durability: 100gf Cycls Min
- Contact Material: Copper alloy
- Finish : Tin Gold or Duplex plated
- Standard: Gold flash all over Nickel
- Operating Temperature: -55°C+105°C
- Max.Processing Temp: 230°C for 30-60 seconds  
(260°C for 10 seconds)



## ORDER INFORMATION

Product NO.: KLS1-SIM-014-6P





## SIM card Connector Series

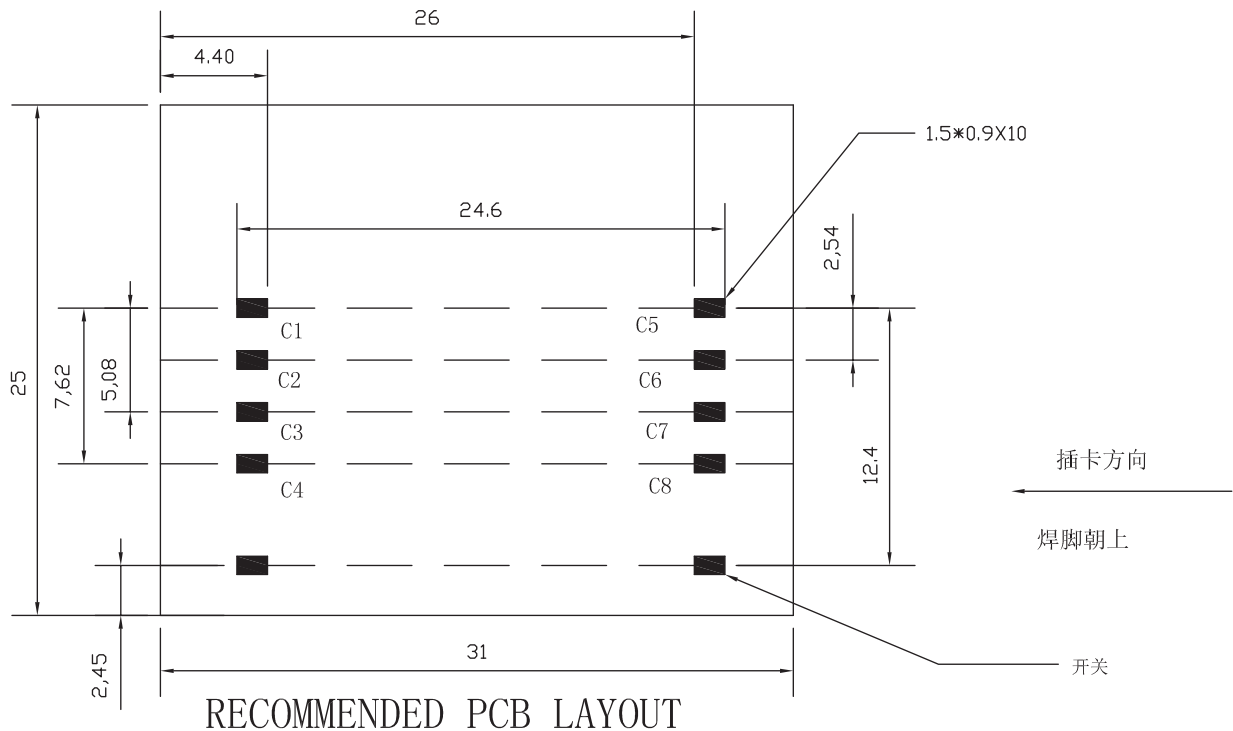
L-KLS1-SIM-014-8P      SIM card Connector Series

### Technical requirements:

- 1、 the appearance of the product without dirt, scratches, deformation phenomenon
- 2、 plastic body without burr, not shoot enough terminals without oxidation, rust

### Remarks :

The reed gold plating layer thickness according to customer demand change



KF016抽屉式SIM卡座

## ORDER INFORMATION

Product NO.: L-KLS1-SIM-014-8P

Pos. NO. \_\_\_\_\_ SIM Card Connector Type

## SIM card Connector Series

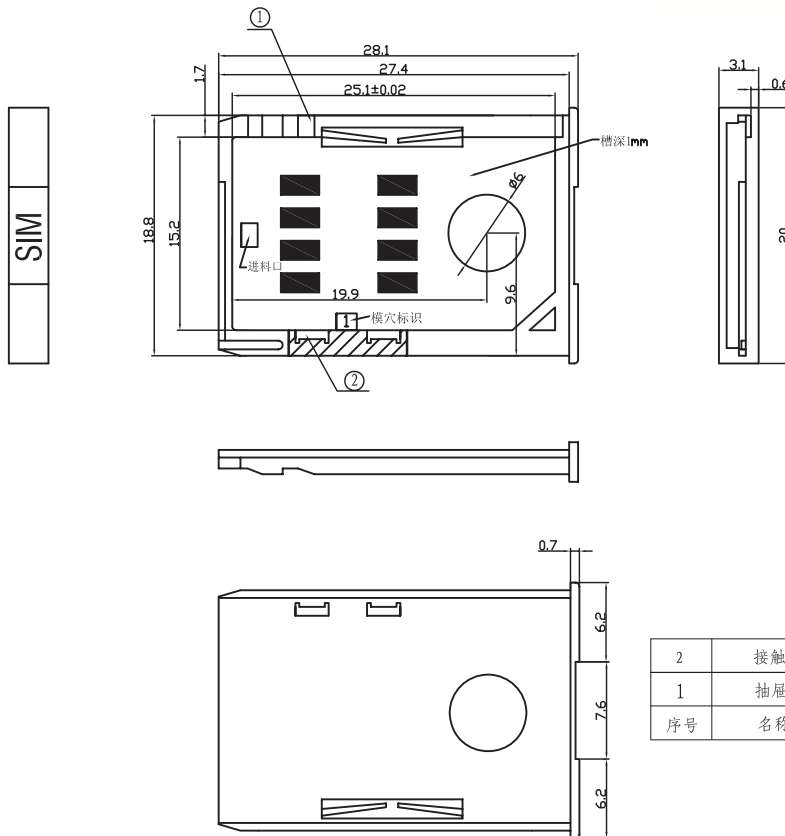
L-KLS1-SIM-014-8P      SIM card Connector Series

### Technical requirements:

- 1、the appearance of the product without dirt, scratches, deformation phenomenon
- 2、plastic body without burr, not shoot enough terminals without oxidation, rust

### Remarks :

The reed gold plating layer thickness according to customer demand change



2	接触片	磷铜	1	底层Ni ≥ 100 μ", 表层Au, 厚度为 > 15 μ"
1	抽屉	PC	1	
序号	名称	材料	数量	备注

## ORDER INFORMATION

Product NO.: L-KLS1-SIM-014-8P

Pos. NO. \_\_\_\_\_ SIM Card Connector Type \_\_\_\_\_

