

Features

- Logic voltage: 5V
- High-voltage output: V_{DD} -30V max.
- Multiple display (11-segment & 11-digit to 16-segment & 4-digit)
- 6×4 matrix key scanning
- 8 steps dimmer circuit
- 4 LED output ports
- 4-bit general purpose input port
- No external resistors necessary for driver output (provides PMOS open-drain and pull-low resistor output)
- Serial interface with MCU (CLK, \overline{CS} , DI, DO)

Applications

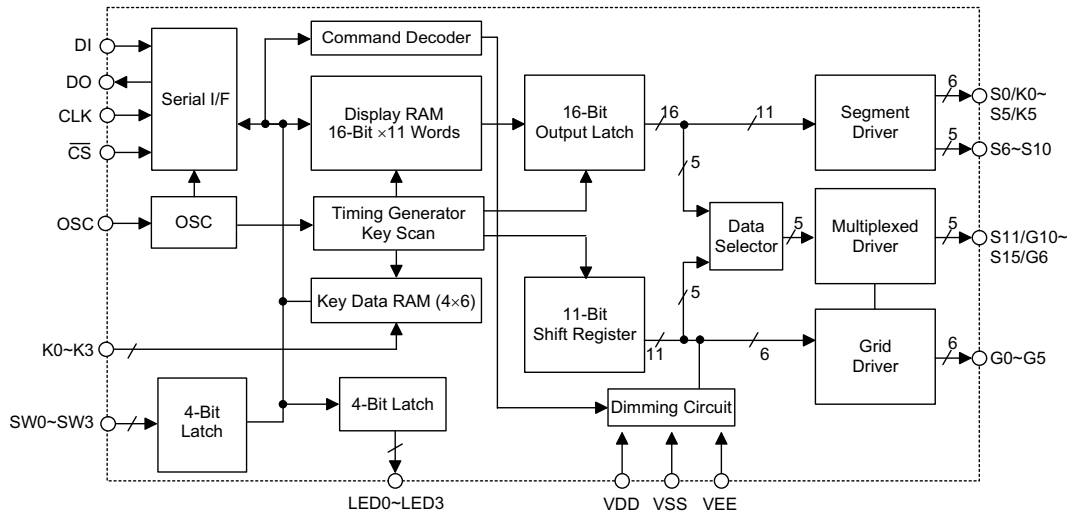
- Consumer products panel function control
- Industrial measuring instrument panel function control
- Other similar application panel function control

General Description

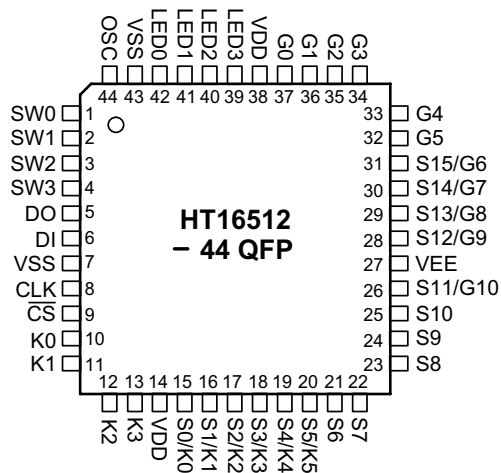
HT16512 is a VFD (Vacuum Fluorescent Display) controller/driver that is driven on a 1/4 to 1/11 duty factor. It consists of 11 segment output lines, 6 grid output lines, 5 segment/grid output drive lines, 4 LED output ports, a control circuit, a display memory, and a key scan circuit.

Serial data inputs to the HT16512 through a three-line serial interface. This VFD controller/driver is ideal as a peripheral device for an MCU.

Block Diagram

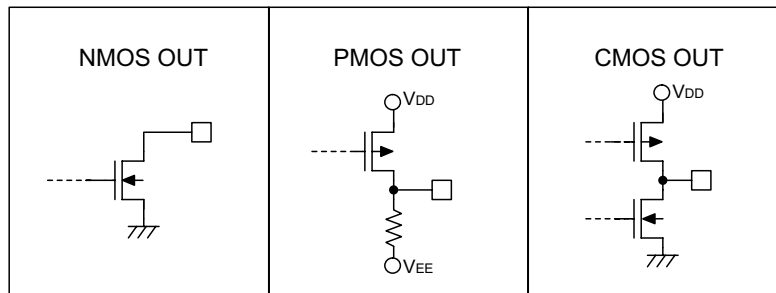


Pin Assignment



Pin Description

Pin No.	Pin Name	I/O	Description
1~4	SW0~SW3	I	4-bit general purpose input port
5	DO	O	Output serial data at the falling edge of the shift clock, starting from low order bit. This is an NMOS open-drain output pin.
6	DI	I	Input serial data at the rising edge of the shift clock, starting from the low order bit.
7, 43	VSS	—	Power supply, ground
8	CLK	I	Reads serial data at the rising edge, and outputs data at the falling edge.
9	\overline{CS}	I	Initializes serial interface at the rising or falling edge of the HT16512. Then it waits to receive a command. Data input after \overline{CS} has fallen is processed as a command. While command data is processed, current processing is stopped, and the serial interface is initialized. While CS is high, CLK is ignored.
10~13	K0~K3	I	Keying data input to these pins is latched at the end of the display cycle.
14, 38	VDD	—	Positive power supply
15~20	S0/K0~S5/K5	O	Segment or key source output pins (dual function). This is PMOS open-drain and pull-low resistor output.
21~25	S6~S10	O	Segment driver output pins (segment only). This is PMOS open-drain and pull-low resistor output.
26, 28~31	S11/G10~S15/G6	O	Segment or Grid driver output pins. These pins are selectable for segment or grid driving. This is PMOS open-drain and pull-low resistor output.
27	VEE	—	VFD power supply
37~32	G0~G5	O	Grid driver output pins (Grid only). This is PMOS open-drain and pull-low resistor output.
42~39	LED0~LED3	O	LED driver output ports. This is a CMOS output pin.
44	OSC	I	Connected to an external resistor or an RC oscillator circuit.

Approximate internal connections

Absolute Maximum Ratings

Supply Voltage.....	-0.3V to 5.5V	Operating Temperature	-25°C to 75°C
Input Voltage.....	$V_{SS}-0.3V$ to $V_{DD}+0.3V$	Storage Temperature.....	-50°C to 125°C

Note: These are stress ratings only. Stresses exceeding the range specified under "Absolute Maximum Ratings" may cause substantial damage to the device. Functional operation of this device at other conditions beyond those listed in the specification is not implied and prolonged exposure to extreme conditions may affect device reliability.

D.C. Characteristics
 $T_a=25^\circ\text{C}$

Symbol	Parameter	Test Conditions		Min.	Typ.	Max.	Unit
		V_{DD}	Conditions				
V_{DD}	Logic Supply Voltage	—	—	4.5	5	5.5	V
V_{EE}	VFD Supply Voltage	—	—	0	—	$V_{DD}-30$	V
f_{OSC}	Oscillation Frequency	5V	$R_{OSC}=51k\Omega$	350	500	650	kHz
R_{PL}	Output Pull-low Resistor	5V	Driver output	50	100	150	$k\Omega$
I_{DD}	Operating Current	5V	No load, VFD display off	—	—	5	mA
I_{OL}	Driver Leakage Current	5V	$V_O=V_{DD}-30V$ VFD driver off	—	—	-10	μA
I_{OL1}	LED Sink Current	5V	$V_{OL}=1V$ LED0~LED3	20	—	—	mA
I_{OH1}	LED Source Current	5V	$V_{OH}=0.9V_{DD}$ LED0~LED3	-1	—	—	mA
I_{OH21}	Segment/Key Source Current	5V	$V_{OH}=V_{DD}-2V$ S0/K0~S5/K5, S6~S10	-3	—	—	mA

Symbol	Parameter	Test Conditions		Min.	Typ.	Max.	Unit
		V _{DD}	Conditions				
I _{OH22}	Segment/Grid Source Current	5V	V _{OH} =V _{DD} -2V G0~G5, S11/G10~S15/G6	-15	—	—	mA
I _{OL3}	DO Sink Current	5V	V _{OL} =0.4V	4	—	—	mA
V _{IH}	"H" Input Voltage	—	—	0.7V _{DD}	—	V _{DD}	V
V _{IL}	"L" Input Voltage	—	—	0	—	0.3V _{DD}	V
V _{OH1}	High-level Output Voltage	5V	LED0~LED3, I _{OH1} =-1mA	0.9V _{DD}	—	V _{DD}	V
V _{OL1}	Low-level Output Voltage	5V	LED0~LED3, I _{OL1} =20mA	0	—	1	V
V _{OL2}	Low-level Output Voltage	5V	DO, I _{OL2} =4mA	0	—	0.4	V

A.C. Characteristics

Ta=25°C

Symbol	Parameter	Test Conditions		Min.	Typ.	Max.	Unit
		V _{DD}	Conditions				
t _{PHL}	Propagation Delay Time	5V	CLK→DO	—	—	300	ns
t _{PLH}		5V	C _L =15pF, R _L =10kΩ	—	—	100	ns
t _{r1}	Rise Time	5V	C _L =300pF, S0~S10	—	—	2	μs
t _{r2}		5V	C _L =300pF, G0~G5, S11/G10~S15/G6	—	—	0.5	μs
t _f	Fall Time	5V	C _L =300pF, Sn, Gn	—	—	120	μs
t _{max}	Maximum Clock Frequency	5V	Duty=50%	1	—	—	MHz
C _i	Input Capacitance	5V	—	—	—	15	pF
t _{CW}	Clock Pulse Width	5V	—	400	—	—	ns
t _{SW}	Strobe Pulse Width	5V	—	1	—	—	us
t _{SU}	Data Setup Time	5V	—	100	—	—	ns
t _h	Data Hold Time	5V	—	100	—	—	ns
t _{CS}	Clock-Strobe Time	5V	CLK rising edge to CS rising edge	1	—	—	μs
t _w	Wait Time	5V	CLK rising edge to CLK falling edge	1	—	—	μs

Functional Description

Display RAM and display mode

The static display RAM is organized into 22×8 bits and stores the data transmitted from an external device to the HT16512 through a serial interface. The contents of the RAM are directly mapped to the contents of the VFD driver. Data in the RAM can be accessed through the data setting, address setting and display control commands. It is assigned addresses in 8-bit unit as follows:

S0 ~ S3	S4 ~ S7	S8 ~ S11	S12 ~ S15	
Address: 00H		01H		Digit0
02H		03H		Digit1
04H		05H		Digit2
06H		07H		Digit3
08H		09H		Digit4
0AH		0BH		Digit5
0CH		0DH		Digit6
0EH		0FH		Digit7
10H		11H		Digit8
12H		13H		Digit9
14H		15H		Digit10

b0	b1	b2	b3	b4	b5	b6	b7	b0	b1	b2	b3	b4	b5	b6	b7
----	----	----	----	----	----	----	----	----	----	----	----	----	----	----	----

Dimming control

HT16512 provides 8-step dimmer function on display by controlling the 3-bit binary command code. The full pulse width of grid signal is divided into 16 uniform sections by PWM (pulse width modulation) technology.

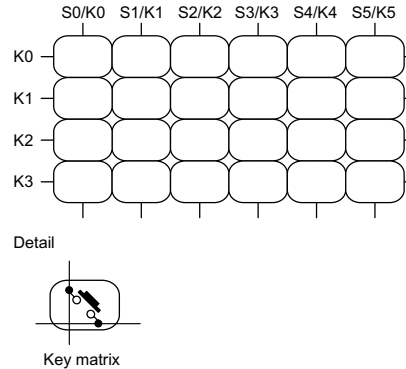
The 16 uniform sections available form 8 steps dimmer via 3-bit binary code. The 8-step dimmer includes 1/16, 2/16, 4/16, 10/16, 11/16, 12/16, 13/16 and 14/16. The 1/16 pulse width indicates minimum lightness. The 14/16 pulse width represents maximum lightness. (Refer to the display control command).

Key matrix and key-input data storage RAM

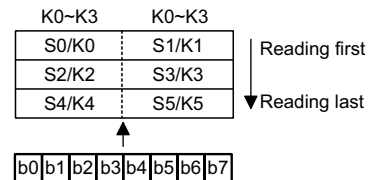
The key matrix scans the series key states at each level of the key strobe signal (S0/K0~S5/K5) output of the HT16512. The key strobe signal outputs are time-multiplexed signals from S0/K0~S5/K5. The states of inputs

K0~K3 are sampled by strobe signal S0/K0~S5/K5 and latched into the register.

The key matrix is made up of a 6×4 matrix, as shown below.



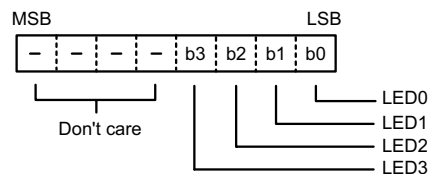
The data of each key is stored as illustrated below, and is read with the read command, starting from the least significant bit.



LED port

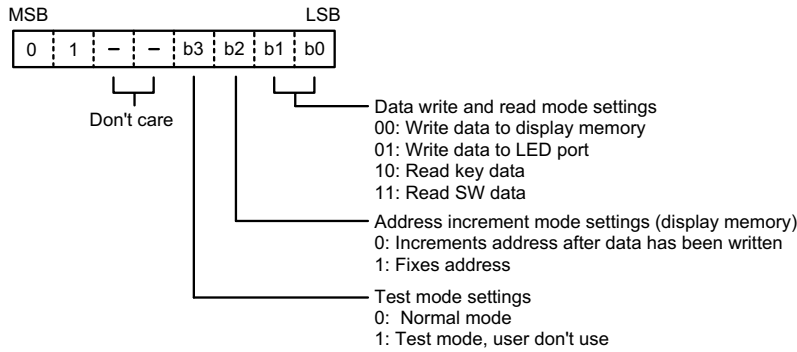
The LED port belongs to the CMOS output configuration.

Data is written to the LED port with the write command, starting from the least port's least significant bit. In our application (see application circuits), the user adopts an internal NMOS device to a driver LED component by connecting VDD. When a bit of this port is 0, the corresponding LED lights; when the bit is 1, the LED turns off. The data of bits 5 through 8 are ignored.



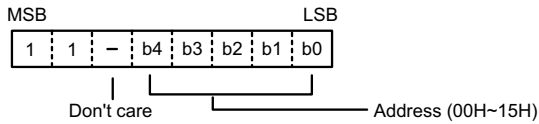
• Data setting commands

These commands set the data write and data read modes.



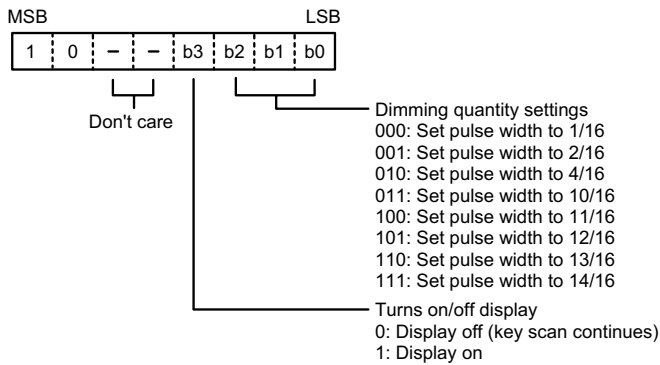
• Address setting commands

These commands set the address of the display memory.

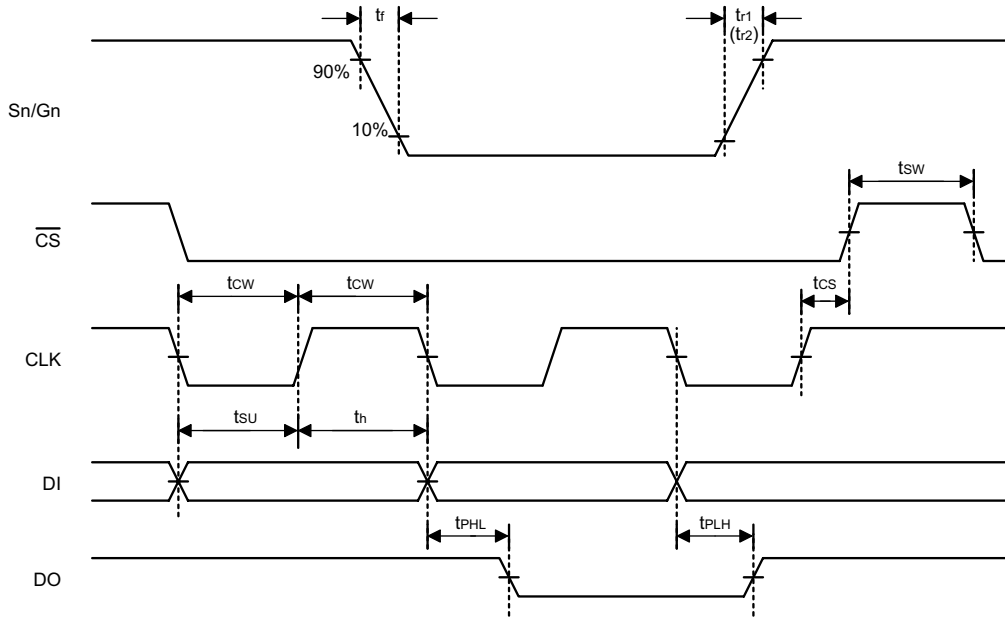


If address 16H or higher is set, data is ignored until a valid address is set.

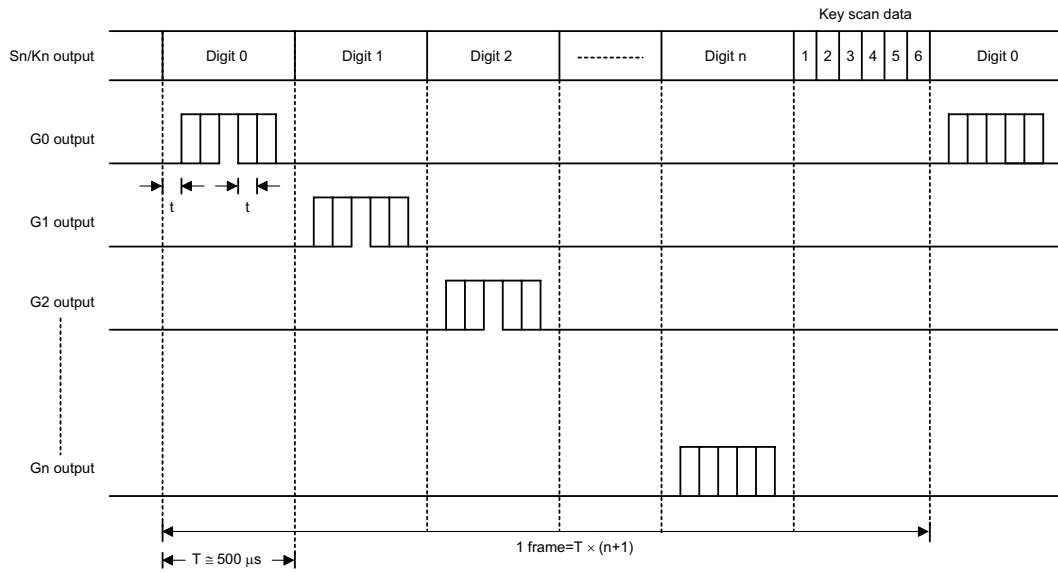
• Display control commands



Timing Diagrams



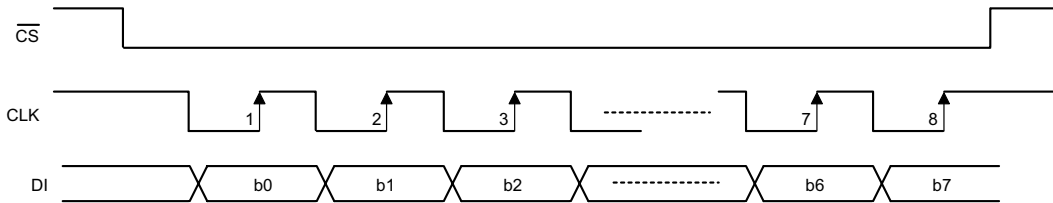
Key scanning and display timing



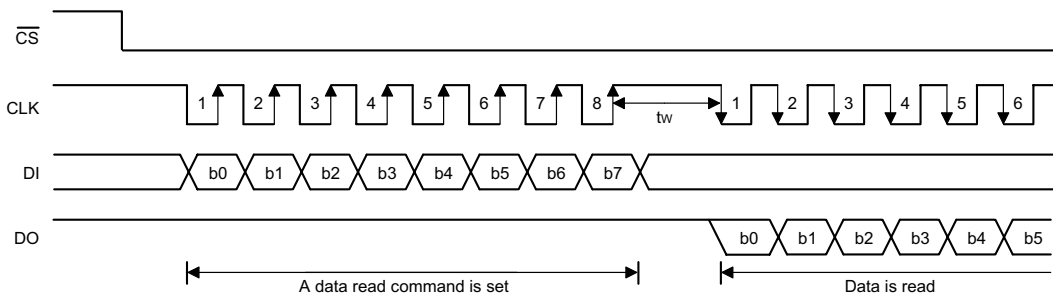
Note: $n=0\sim 5$
 $t=1/16T$
 T : pulse width of segment signal is decided by oscillator frequency
 One cycle of key scanning consists of one frame.

Serial communication format

- Reception (command/data write)



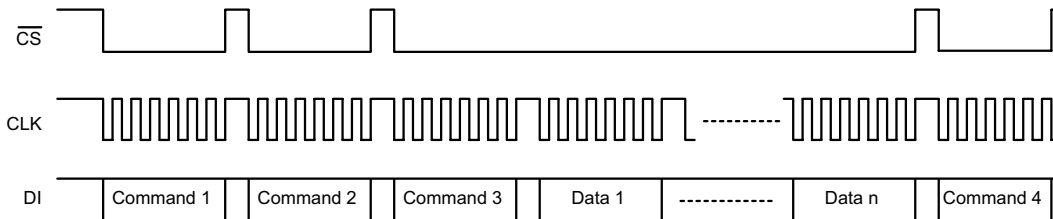
- Transmission (data read)



DO must be sure to connect an external pull-high resistor to this pin (1kΩ to 10kΩ).

Note: When data is read, a wait time "tw" of 1μs is necessary.

- Updating display memory by incrementing address



Command 1: sets display mode

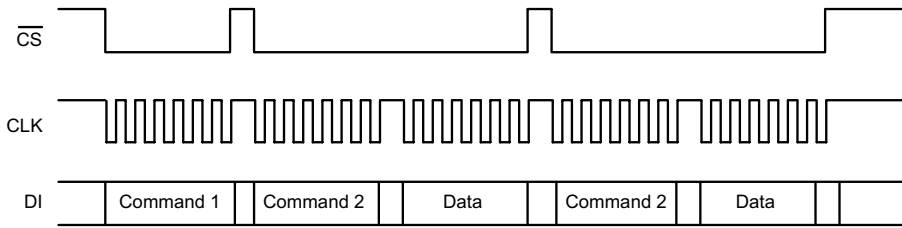
Command 2: sets data

Command 3: sets address

Data 1 to n: transfers display data (22 bytes max.)

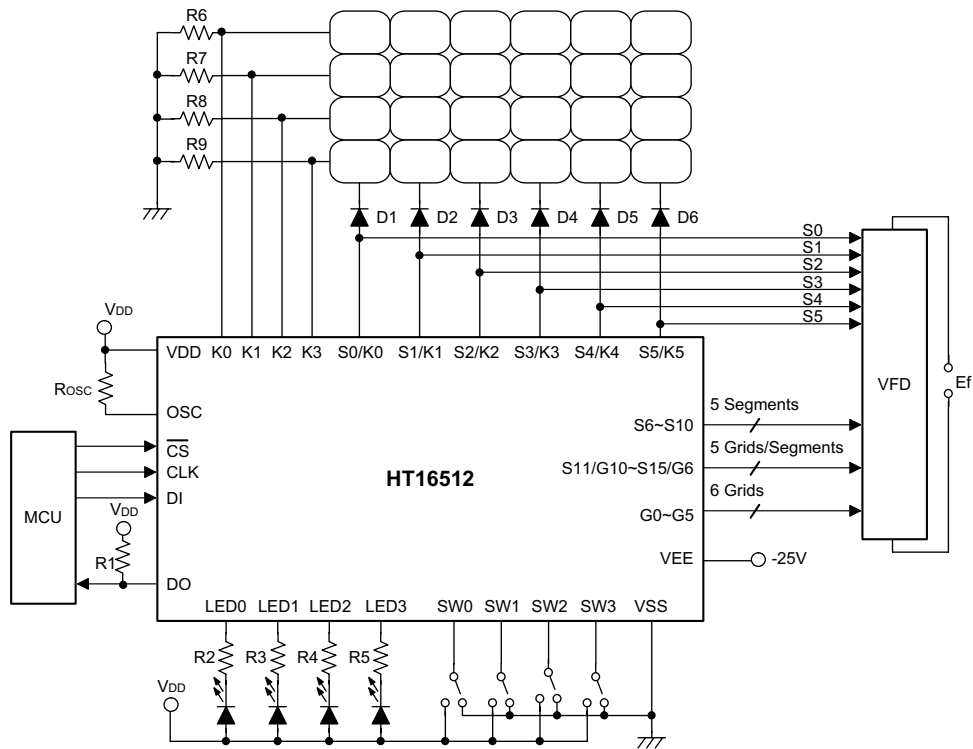
Command 4: controls display

- Updating specific addresses



Command 1: sets data
 Command 2: sets address
 Data: display data

Application Circuits



Note: $R_{OSC}=51k\Omega$ for oscillator resistor
 $R1=1\sim 10k\Omega$ for external pull-high resistor
 $R2\sim R5=750\Omega\sim 1.2k\Omega$
 $R6\sim R9=10k\Omega$ for external pull-low resistor
 $D1\sim D6=1N4001$
 Ef=Filament voltage for VFD

Holtek Semiconductor Inc. (Headquarters)

No.3 Creation Rd. II, Science-based Industrial Park, Hsinchu, Taiwan, R.O.C.
Tel: 886-3-563-1999
Fax: 886-3-563-1189

Holtek Semiconductor Inc. (Taipei Office)

5F, No.576, Sec.7 Chung Hsiao E. Rd., Taipei, Taiwan, R.O.C.
Tel: 886-2-2782-9635
Fax: 886-2-2782-9636
Fax: 886-2-2782-7128 (International sales hotline)

Holtek Semiconductor (Hong Kong) Ltd.

RM.711, Tower 2, Cheung Sha Wan Plaza, 833 Cheung Sha Wan Rd., Kowloon, Hong Kong
Tel: 852-2-745-8288
Fax: 852-2-742-8657

Copyright © 1999 by HOLTEK SEMICONDUCTOR INC.

The information appearing in this Data Sheet is believed to be accurate at the time of publication. However, Holtek assumes no responsibility arising from the use of the specifications described. The applications mentioned herein are used solely for the purpose of illustration and Holtek makes no warranty or representation that such applications will be suitable without further modification, nor recommends the use of its products for application that may present a risk to human life due to malfunction or otherwise. Holtek reserves the right to alter its products without prior notification. For the most up-to-date information, please visit our web site at <http://www.holtek.com.tw>.

This datasheet has been downloaded from:

www.DatasheetCatalog.com

Datasheets for electronic components.