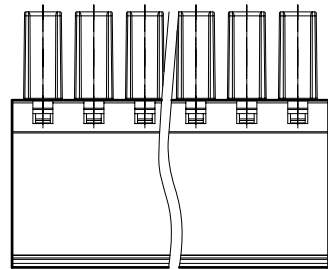
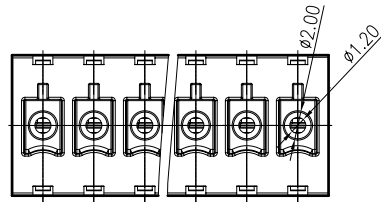
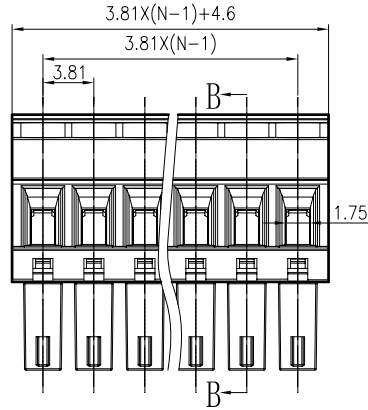
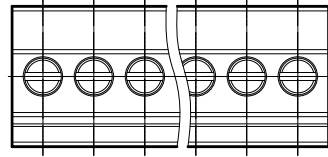
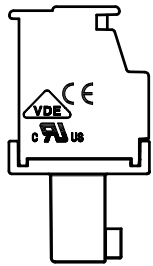


Notes:

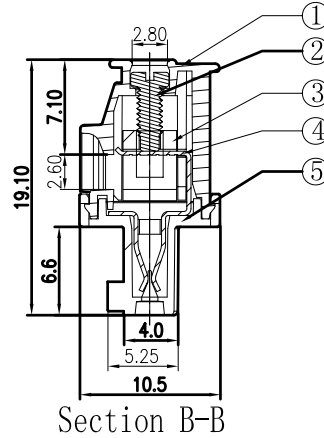
- Pitch:3.81mm , Poles:2-24P
- Rated voltage/current:UL 300V/8A
VDE 250V/7A
- Operation temperatures:-40℃~+105℃
- Withstanding Voltage:AC2000V/1Min
- Insulation Resistance:5000MΩ /DC1000V
- Wire Range:28~16AWG, 0.5-1.5mm²
- Max. Torque
Value:M2, 2.04kgf. cm(1.77Lb. in)
- Undimensioned Tolerances:

| REVISION RECORD | | | | |
|-----------------|-----|-------------|------|------|
| REV | ECO | DESCRIPTION | DRFT | DATE |
| | | | | |

| Pitch range in mm | | Nominal dimension range in mm | | | | | — |
|-------------------|--------------|-------------------------------|-------|---------------|----------------|-----------------|---|
| to 6 | over 6 to 10 | over 10 to 24 | to 30 | over 30 to 60 | over 60 to 100 | over 100 to 150 | ∩ |
| ±0.10 | ±0.15 | ±0.25 | ±0.2 | ±0.3 | ±0.5 | ±0.7 | ∇ |



C



Section B-B



C向

| 5 | 15EDGKA/B-3.81-100A-Cover | 1041COYXXE (H) | 1 | PA66 | UL94V-0 |
|------|-----------------------------|----------------|------|-----------------|---------------------|
| 4 | 15EDGKA/B-100A-Clamp | 1033B00020 (H) | XX | Phosphor bronze | SnCe |
| 3 | 15EDGK Cage | X000000010 (H) | XX | Brass | Ni Plated |
| 2 | 15EDG Screw-M2.0 | S000001360 (H) | XX | Steel | Cr ³⁺ Zn |
| 1 | 15EDGKA/B-3.81-100A-Housing | 1041A0YXXE (H) | 1 | PA66 | UL94V-0 |
| ITEM | NAME OF PART | NO. OF PART | Q'TY | MATERIAL | NOTES |

| | | | | | |
|----------------|----------------------------|-------------|----------------|---|------------------|
| DETACHED LISTS | MM (INCH) | DFTO Apple | DATE 04/11/09* | 宁波高正电子有限公司 DEGSON ELECTRONICS CO., LTD | |
| | TOLERANCES EXCEPT AS NOTED | CHKD | DATE | | |
| | | MFO | DATE | | |
| | | APPVL | DATE | | |
| | MM | ± | | MATERIAL : | |
| | .0 ± | ± | | | |
| | .00 ± | ± | | | |
| | .000 ± | ± | | | |
| | ANGLES ± 1' | G.E : | | NAME | |
| | | FINISH : | | 15EDGKA-3.81-XXP-1Y-100A (H) | |
| | THIRD ANGLE PROJECTION | SCALE : 1:1 | | DRAWING NO. 15EDGKA-3.81-E100 | SIZE A3 |
| | | | | /PART NO. | REV TO 09/10/10' |
| | | | | DO NOT SCALE DRAWING | SHEET 1 OF 1 |