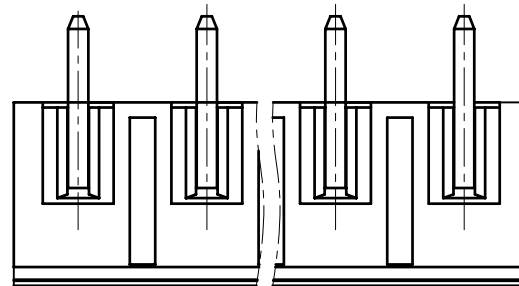
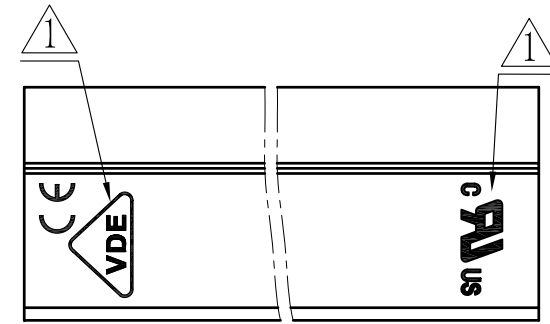
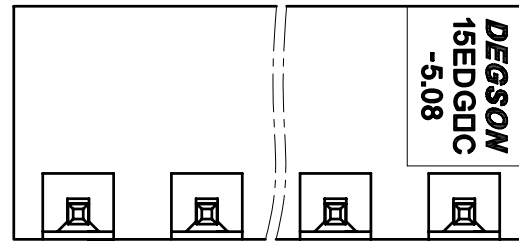
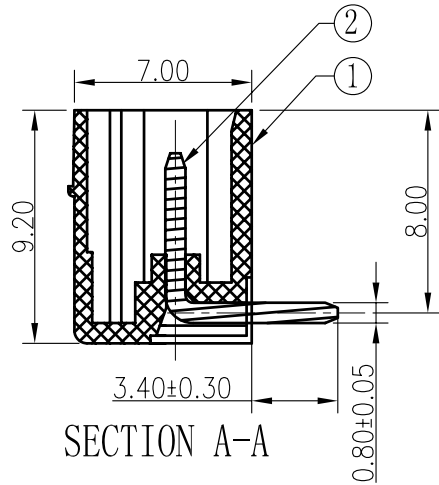
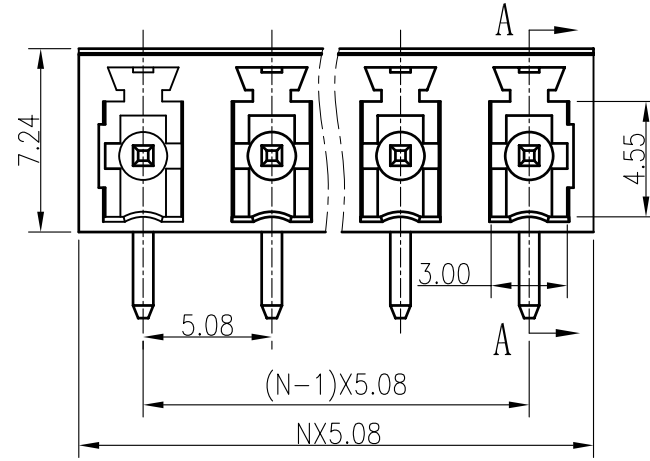


REVISION RECORD					
REV	ECO	DESCRIPTION	DRFT	DATE	
△		增加VDE, UL, CE刻字	Zengy	01/13/09	



Notes:

1. Pitch: 5.08mm, Poles: 2-12P
2. Rated voltage/current: UL 300V/8A
VDE 250V/7A
3. Operation temperatures: -40°C ~ +105°C
4. Withstanding Voltage: AC2000V/1Min
5. Insulation Resistance: 5000MΩ/DC1000V
6. Undimensioned Tolerances:

Pitch range in mm		Nominal dimension range in mm						
	over 6	over 10	over 30	over 60	over 100	over 150		
to	to	to	to	to	to	to	∅	
6	10	24	30	60	100	150	∇	
	±0.10	±0.15	±0.25	±0.2	±0.3	±0.5	±1.0	0.05/1.0

2	15EDGR(0.8*12.6R) Pin header	1003B00010(H)	XX	Brass	SnCe plated												
1	15EDGRC-5.08-Housing	1172A0YXXA(H)	1	PA66	UL94V-0												
ITEM	NAME OF PART	NO. OF PART	Q'TY	MATERIAL	NOTES												
<table border="1"> <tr> <td>MM (INCH)</td> <td>DFTO Zhuwm</td> <td>DATE 12/14/07</td> </tr> <tr> <td>TOLERANCES EXCEPT AS NOTED</td> <td>CHKD</td> <td>DATE</td> </tr> <tr> <td></td> <td>MFO</td> <td>DATE</td> </tr> <tr> <td></td> <td>APPVL</td> <td>DATE</td> </tr> </table>		MM (INCH)	DFTO Zhuwm	DATE 12/14/07	TOLERANCES EXCEPT AS NOTED	CHKD	DATE		MFO	DATE		APPVL	DATE	宁波高正电子有限公司 DEGSON ELECTRONICS CO., LTD			
MM (INCH)	DFTO Zhuwm	DATE 12/14/07															
TOLERANCES EXCEPT AS NOTED	CHKD	DATE															
	MFO	DATE															
	APPVL	DATE															
DETACHED LISTS		NAME 15EDGRC-5.08-XXP-1Y-00A(H)															
<table border="1"> <tr> <td>MM</td> <td>±</td> </tr> <tr> <td>.0 ±</td> <td>±</td> </tr> <tr> <td>.00 ±</td> <td>±</td> </tr> <tr> <td>.000 ±</td> <td>±</td> </tr> </table>		MM	±	.0 ±	±	.00 ±	±	.000 ±	±	MATERIAL :							
MM	±																
.0 ±	±																
.00 ±	±																
.000 ±	±																
ANGLES ± 1°		G.E :															
		FINISH :															
THIRD ANGLE PROJECTION		SCALE : 1:1															
DO NOT SCALE DRAWING				SHEET 1 OF 1													
DRAWING NO. 15EDGRC-5.08-E01			SIZE A3	REV T1 01/13/09													
/PART NO.																	