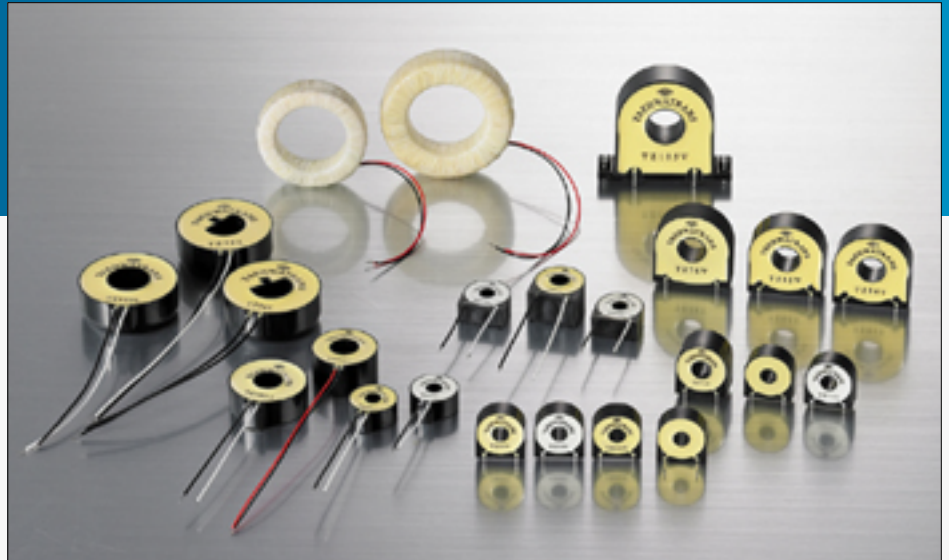


[Supreme Accuracy CT]

*Total Technology & Solution for
Sensing & Monitoring*



① Common Application

- Transformer operated & Indirect connected solid state energy meter
- Super linearity for the high accuracy class. <Excepting Isolation Transformer>
- Accuracy power transducer
- Power sensor
- Precision power meter
- Power calibrator

② Features

- Supreme accuracy (at the minimal current)
- Zero phase shift
- Excellent precision

③ General Specification

- No problem with 1.2times continuous overload and 4 times overload for 1sec. against rated current being decided on the applied burden.
- Dielectric witholding voltage : 3.5KV for 1 minute.
- Humidity: Completely epoxy encapsulated & no humidity affected.

1-1. Super accuracy model

Application

0.2 Class watt hour meter for power station & substation

Features

- Super accuracy at the range of 0.25Amp or less
- Zero phase displacement
- Super linearity

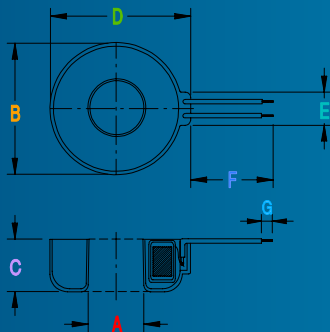
Standard Accuracy : 0.1 Class (Meter)

Recommended Current Rating & Burden

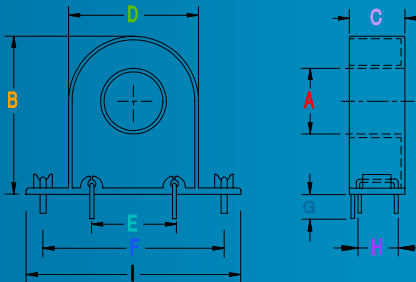
Model	Current Ratio	Ratio Error	Burden at 20Ω	Current Rating
TZ106L/V, TZ79L	2,500/1	± 0.1%	0.5752VA	5Amp, 200Amp
TZ96L	5,000/1	± 0.1%	0.0957VA	5Amp, 200Amp

Drawing & Dimension

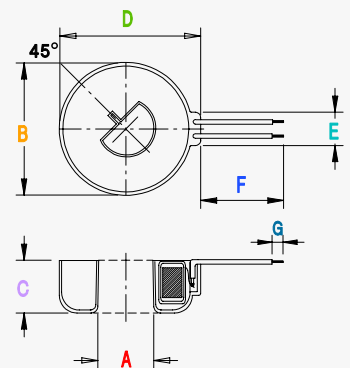
Drawing



TZ106L
Lead Wire



TZ106V
PCB Mountable



TZ79L/TZ96L
Bus Bar Type

Dimension

(unit : mm/inch)

Model	A(min)	B(max)	C(max)	D(max)	E(max)	F	G	H	I(max)
TZ79L TZ96L	19.4 0.764"	48.2 1.898"	19.3 0.760"	51.0 2.008"	12.2 0.480"	270±3 10.63"	5±1 0.197"	Rdc : 32-36 Ω Rdc : 238-254 Ω	
TZ106L	19.4 0.764"	48.2 1.898"	19.3 0.760"	51.0 2.008"	12.2 0.480"	270±3 10.63"	5±1 0.197"	Rdc 32-36 Ω	
TZ106V	18.5 0.728"	55.5 2.185"	20.3 0.799"	50.5 1.988"	30.0 1.181"	60±3 2.362"	4±0.5 0.157"	10±0.3 0.394"	67.6 2.661"

1-2. Supreme Accuracy Model (I)

● Application

0.2/0.5 Class watt hour meter for power station & substation

● Features

- Supreme accuracy at the range of 0.25Amp or less
- Zero phase displacement
- Supreme linearity

● Standard Accuracy : 0.2/0.5 Class (Meter)

● Recommended Current Rating & Burden

• High End Model

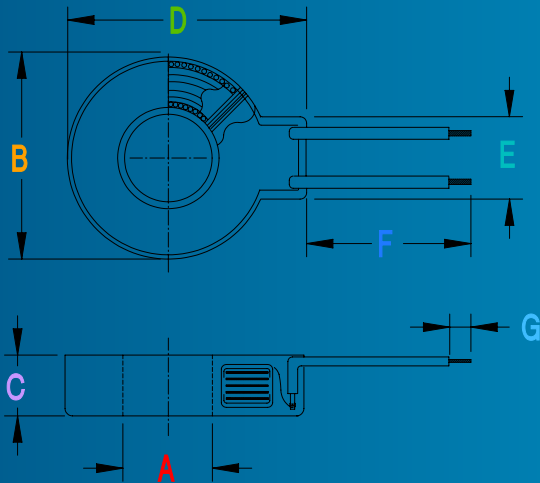
Model	Current Ratio	Ratio Error	Burden at 20Ω	Current Rating
TZ77NL/V	2,500 / 1	± 0.1%	0.1415VA	1Amp, 6Amp
TZ31L/V	5,000 / 1	± 0.1%	0.0480VA	5A, 10A, 120A
TZ76L/V	2,500 / 1	± 0.1%	0.1843VA	5A, 60A, 120A
TZ87L/V	4,000 / 1	± 0.1%	0.1361VA	5A, 80A, 120A
TZ105L/V	2,000 / 1	± 0.1%	0.4805VA	5A, 100A, 200A

• Low End Model

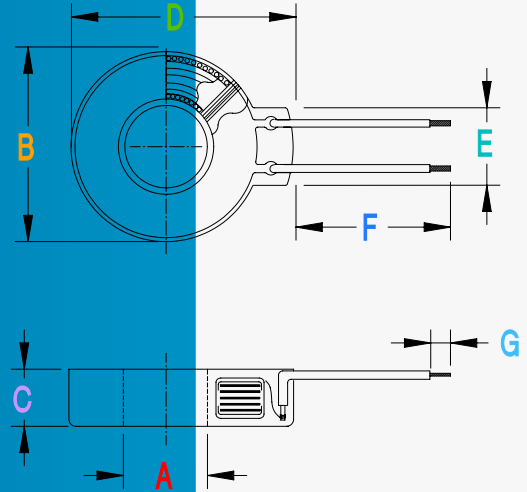
Model	Current Ratio	Ratio Error	Burden at 20Ω	Current Rating
TZ77SL/V	2,500 / 1	± 0.2%	0.0135VA	1Amp, 6Amp
TZ77L/V	2,500 / 1	± 0.2%	0.0131VA	5Amp, 20Amp
TZ71L/V	2,500 / 1	± 0.2%	0.0276VA	5A, 50A, 60A
TZ84L/V	1,000 / 1	± 0.2%	0.2040VA	60A, 80A, 100A

● Drawing & Dimension

• Drawing

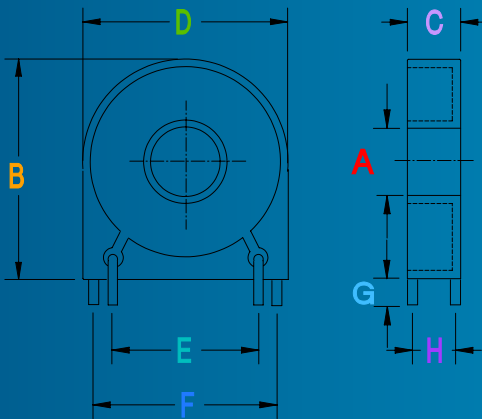


< TZ77L & TZ71L & TZ31L Type >

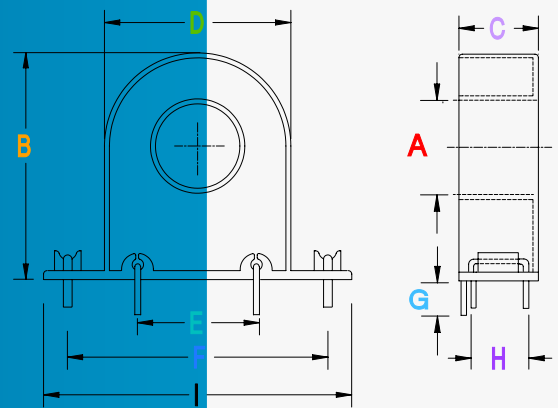


< TZ76L & TZ84L & TZ87L & TZ105L Type >

Lead Wire Type



Standard Type



Model TZ105V

PCB Mountable Type

○ Drawing & Dimension

- Dimension

Lead Wire Type

(unit : mm/inch)

Model	A(min)	B(max)	C(max)	D(max)	E(max)	F(±3)	G(±1)
TZ77SL TZ77NL TZ77L	6.9 0.272"	23.3 0.917"	11 0.433"	26.6 1.047"	7 0.276"	71 2.795"	3 0.118"
TZ71L	8.9 0.350"	25.3 0.996"	17 0.669"	28.6 1.126"	7 0.276"	65 2.559"	3 0.118"
TZ76L TZ84L	12.9 0.508"	37.5 1.476"	14 0.551"	41.3 1.626"	10.3 0.406"	68 2.677"	3 0.118"
TZ31L	13 0.512"	31.5 1.240"	16.5 0.650"	34.9 1.374"	6.4 0.252"	74 2.913"	5 0.197"
TZ105L	19.4 0.764"	48.2 1.898"	19.3 0.760"	51 2.008"	12.2 0.480"	270 10.63	5 0.197"
TZ87L	12.9 0.508"	37.5 1.476"	14 0.551"	41.3 1.626"	10.3 0.406"	68 2.677"	3 0.118"

PCB Mountable Type

(unit : mm/inch)

Model	A(min)	B(max)	C(max)	D(max)	E(±0.3)	F(±0.3)	G(±0.5)	H(±0.3)
TZ77SV TZ77NV TZ77V	6.8 0.268"	25 0.984"	11 0.433"	23.5 0.925"	15.1 0.594"	19.1 0.752"	3 0.118"	9.1 0.358"
TZ71V	8.9 0.350"	27.5 1.083"	17 0.669"	25.3 0.996"	15.1 0.594"	19.1 0.752"	3 0.118"	15.1 0.594"
TZ76V TZ84V	12.9 0.508"	39 1.535"	14 0.551"	37.5 1.476"	25.2 0.992"	32.8 1.291"	3 0.188"	12.1 0.476"
TZ105V	18.5 0.728"	55.5 2.185"	20.3 0.799"	50.5 1.988"	30.0 1.181"	60.0 2.362"	4 0.157"	10.0 0.394"

1-3. Supreme Accuracy Model (II)

Application

0.5/1.0 Class watt hour meter for industrial complex & three phase application
Accurate Ampere Meter

Features

- Supreme accuracy up to class 0.5 at the 1Amp or less
- Extremely low phase shift
- Excellent & Steady linearity properties

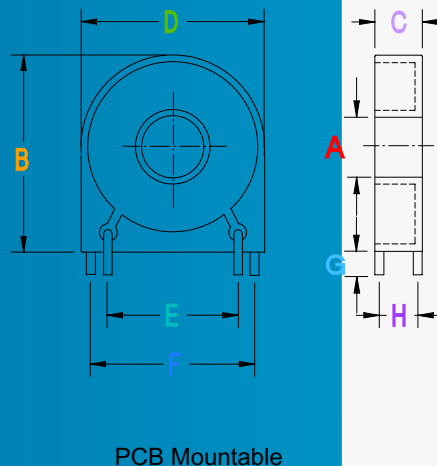
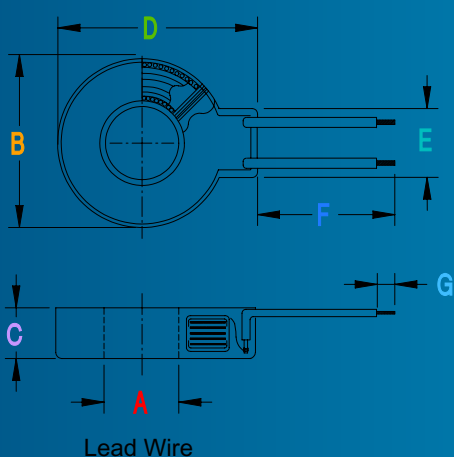
Standard Accuracy : 0.5/1.0 Class (Meter)

Recommended Current Rating & Burden

Model	Current Ratio	Ratio Error	Burden at 20Ω	Current Rating
TZ73L/V	2,500 / 1	± 0.5%	0.0054VA	5Amp, 6Amp
TZ75L/V	2,500 / 1	± 0.5%	0.0135VA	5A, 20A, 40A
TZ110L	4,000 / 1	± 0.5%	0.4486VA	400Amp

Drawing & Dimension

Drawing



Dimension

Lead Wire type

(unit : mm/inch)

Model	A(min)	B(max)	C(max)	D(max)	E(max)	F(±3)	G(±1)
TZ73L	6.9	23.3	11	26.6	7	71	3
TZ75L	0.272"	0.917"	0.433"	1.047"	0.276"	2.795"	0.118"
TZ110L	31.5 1.240"	59.5 2.343"	18.7 0.736"	64 2.520"	13.2 0.520"	763±7 30.039	6±2 0.236"

PCB Mountable type

(unit:mm/inch)

Model	A(min)	B(max)	C(max)	D(max)	E(±0.3)	F(±0.3)	G(±0.5)	H(±0.3)
TZ73V	6.8	25	11	23.5	15.1	19.1	3	9.1
TZ75V	0.268"	0.984"	0.433"	0.925"	0.594"	0.752"	0.118"	0.358"



TAEHWATRANS

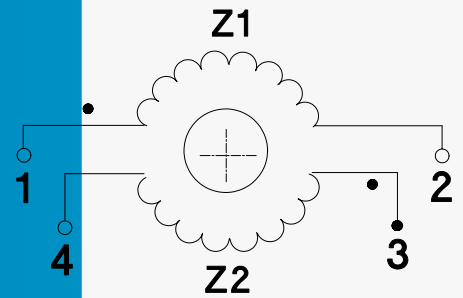
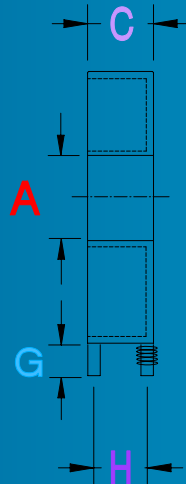
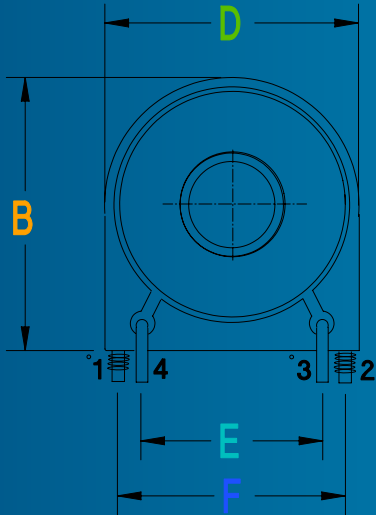
Tel : (82 31) 315-8161 Fax : (82 31) 315-8165

1-4. Isolation(Voltage) Transformer

● Application

Supreme class power measurement & Monitoring
Precision 1:1 isolation transformer

• Drawing

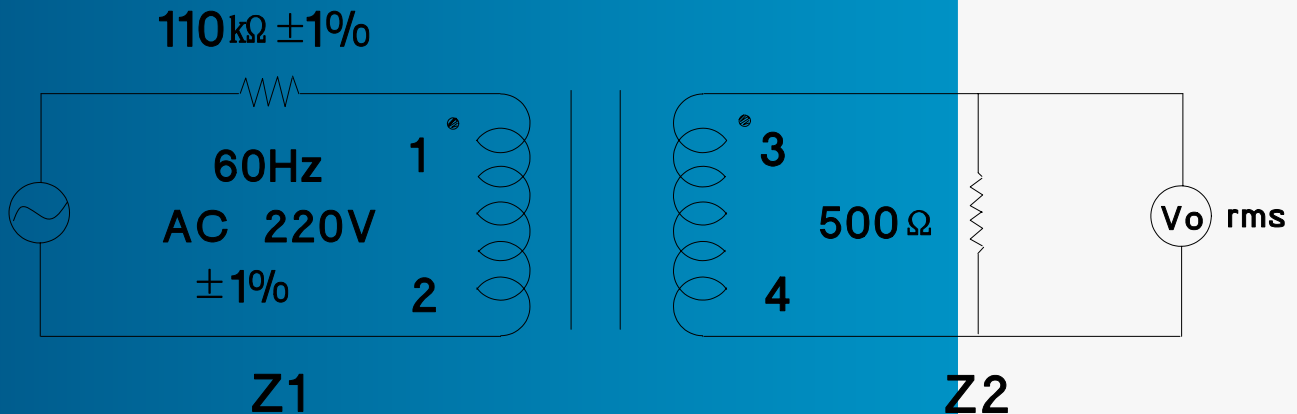


• Dimension

(unit : mm/inch)

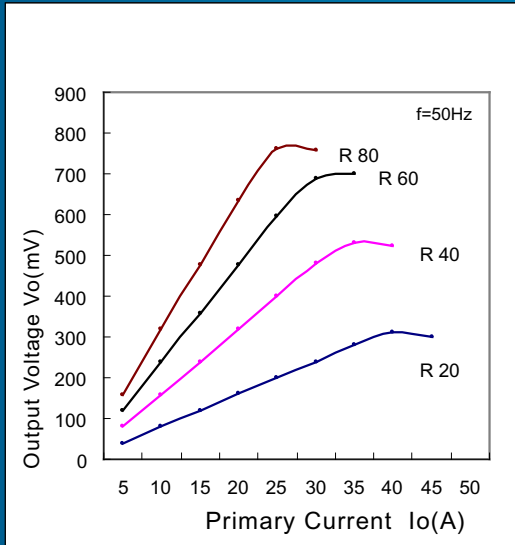
Model	A(min)	B(max)	C(max)	D(max)	E(±0.3)	F(±0.3)	G(±0.5)	H(±0.3)	Rdc
TZ111V	6.9 0.272"	25 0.984"	11 0.433"	23.5 0.925"	15.1 0.594"	19.1 0.752"	3 0.118"	9.2 0.362"	94Ω ~ 106Ω

• Circuit Design

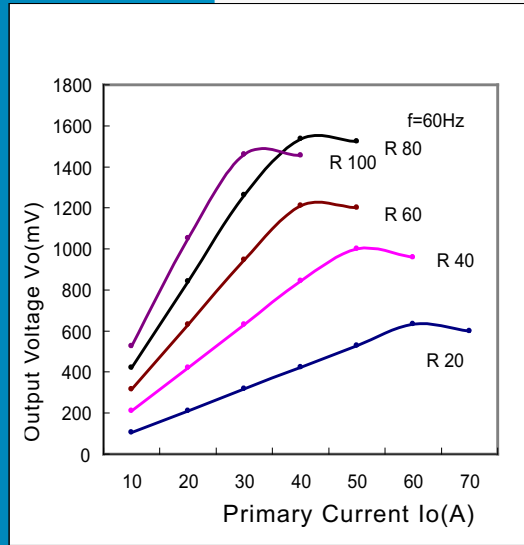


• Secondary Burden & Output Voltage

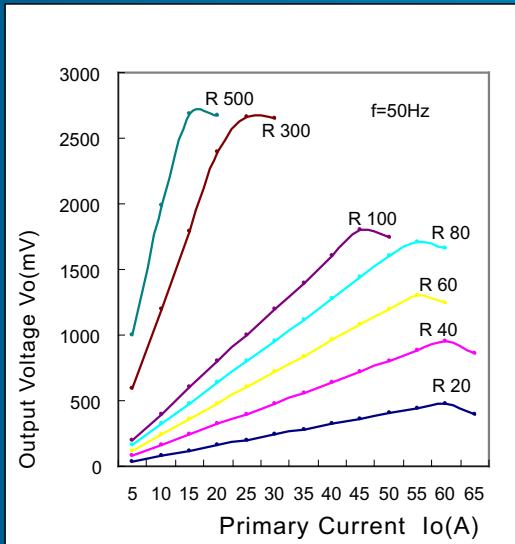
TZ73V/L



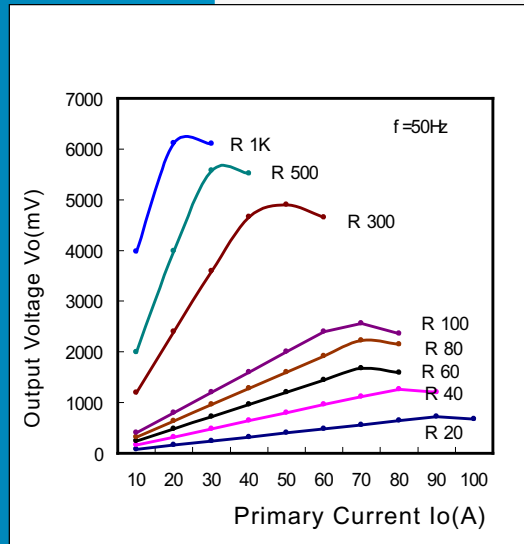
TZ75V/L



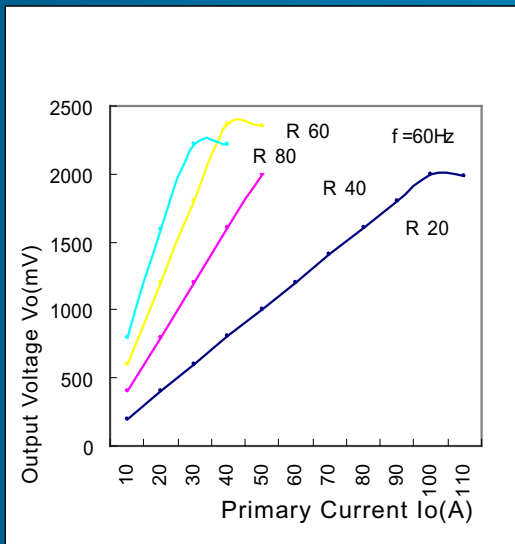
TZ77V/L



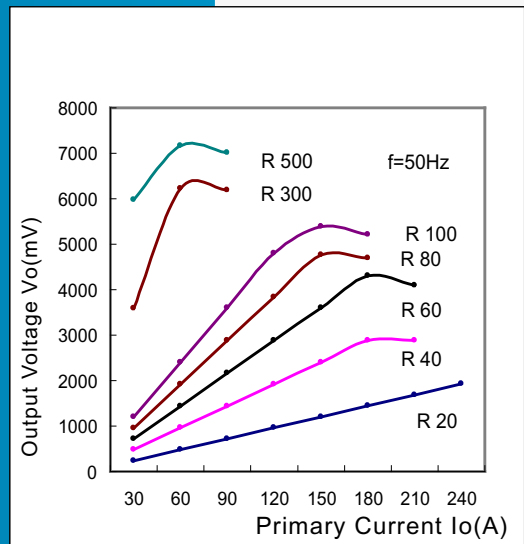
TZ71V/L



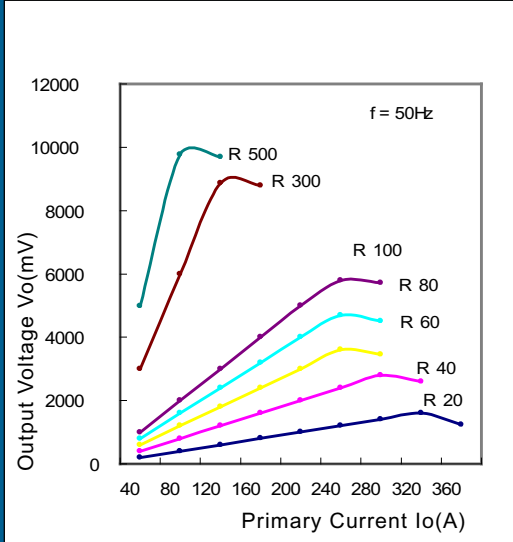
TZ84V/L



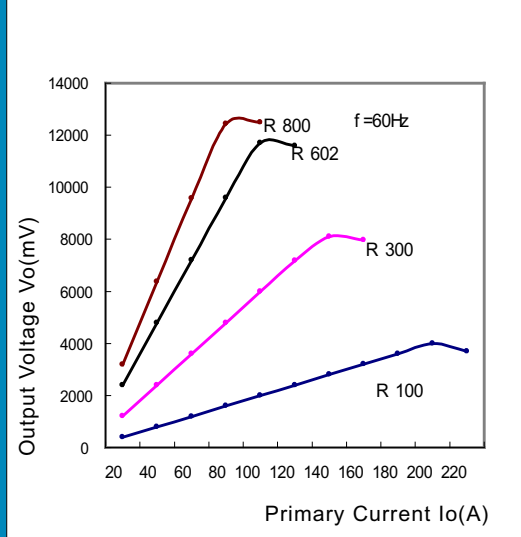
TZ76V/L



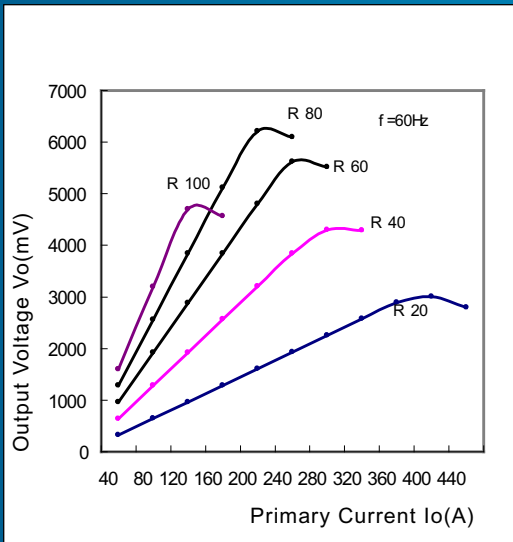
TZ87V/L



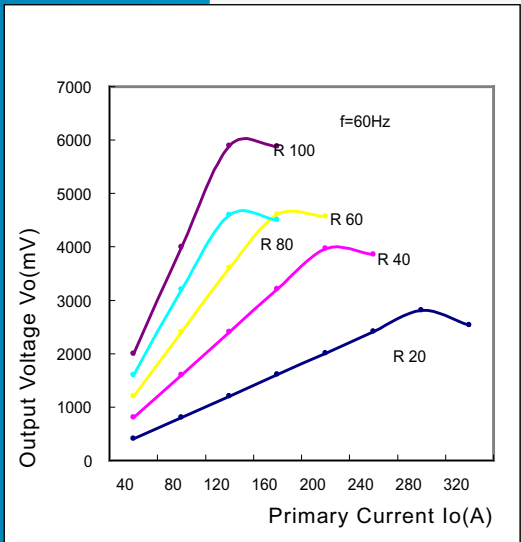
TZ31L



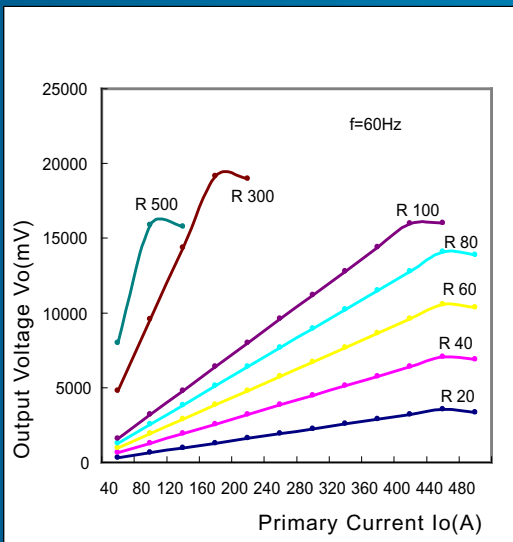
TZ79L



TZ105L



TZ110L



TZ85V/L

