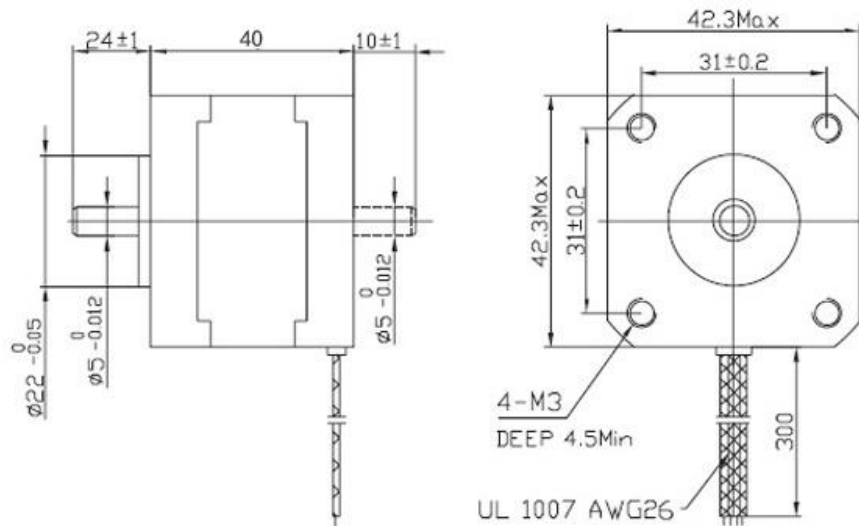


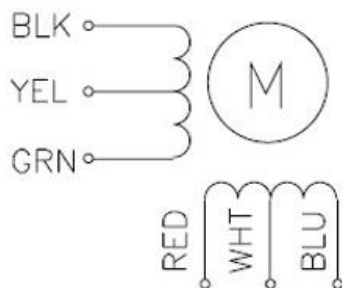
Model	Holding Torque		Rated Current	Phase Resistance	Phase Inductance	Lead Wires	Rotary Inertia		Weight	Thickness
	Nm	ozin	A/PHASE	Ω /PHASE	mH/PHASE	(pins)	g.cm ²	ozin ²	kg	mm(inch)
17HS1401	0.3	43	1.33	2.1	2.5	4	35	0.18	0.22	34 (1.33)
17HS2401	0.45	64	1.68	1.65	3.2	4	54	0.28	0.28	40 (1.57)
17HS3401	0.55	80	1.68	1.65	2.8	4	68	0.35	0.36	48 (1.89)
17HS4401	0.89	126	2	2.8	6.5	4	129	0.7	0.47	60 (2.4)

◆ Dimension



◆ Wiring Diagram

6 LEADS



4 LEADS

