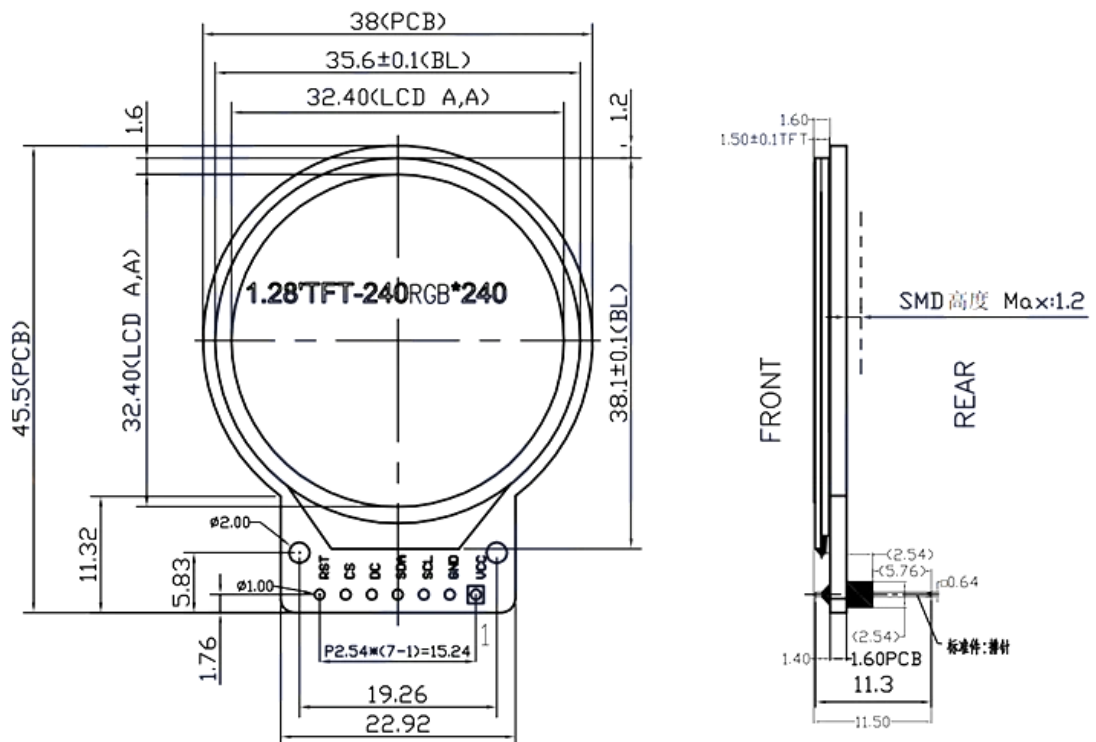


NO.	Item	Contents	Unit
1	LCD Size	1.28	inch
2	Display Mode	Normally black	-
3	Resolution	240(H)RGB x 240(V)	pixels
4	Dot pitch	0.135(H) x 0.135(V)	mm
5	Active area	Ø32.4	mm
6	Module size	45.5(H) x 48 (V) x11.5 (D)	mm
7	Color arrangement	RGB Vvertical stripe	-
8	Interface	4 Line SPI	-
9	Drive IC	GC9A01	-
10	Luminance(cd/m2)	400 (TYP)	Cd/m2
11	Viewing Direction	All View	O'Clock
12	Backlight	2 White LED Parallel	-
13	Operating Temp.	-20°C~ + 70°C	°C
14	Storage Temp.	-30°C~+ 80°C	°C
15	Weight	TBD	g



## Pin Definition

FPC Connector is used for the module electronics interface.

NO.	Symbol	Description
1	VCC	Power
2	GND	Power Ground
3	SCL	This pin is used to be serial interface clock
4	SDA	SPI interface input/output pin. the data is latched on the rising edge of the SCL signal.
5	DC	Display data/command selection pin in 4-line serial interface.
6	CS	Chip selection pin;Low enable,high disable.
7	RST	This signal will reset the device and it must be applied to properly initialize the chip. Signal is active low.

Note:

