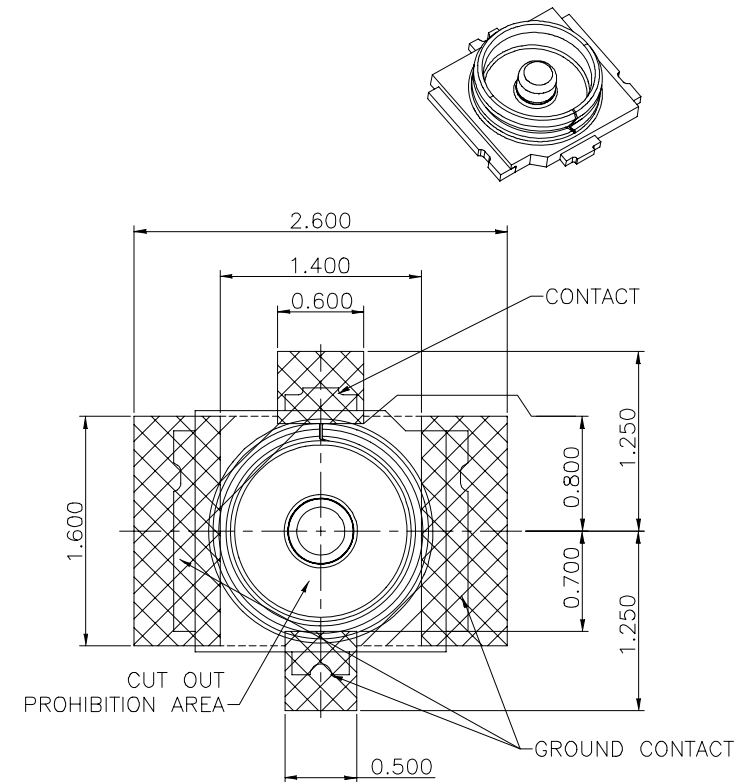


SECTION: A-A
SCALE: 1:1



RECOMMENDED PCB LAYOUT
GENERAL TOLERANCE ±0.05

NOTE:

1. HOUSING MATERIAL: THERMOPLASTIC, WHITE, UL 94V-0;
CONTACT MATERIAL: COPPER ALLOY, GOLD PLATED ALL OVER;
SHELL MATERIAL: COPPER ALLOY, GOLD PLATED ALL OVER;
2. PERFORMANCE:
 - 2.1. CONTACT RESISTANCE: 20mOHM Max.
 - 2.2. DIELECTRIC WITHSTANDING VOLTAGE: 200V AC FOR 1MINUTE;
 - 2.3. INSULATION RESISTANCE: 500MOHM Min.

GENERAL TOLERANCE		ANGLE TOLERANCE		PROJECTION	⊕ Description:
X.	±0.60	X.	±5°	UNITS	mm
.X	±0.38	.X	±3°	SHEET SIZE	A4
.XX	±0.25	.XX	±2°		
Draw by: Date				2015-09-01	
Check by:: Date				2015-09-15	
SCALE		SHEET		OF	
				KLS P/N: KLS1-IPEX-004	

KLS ELECTRONIC CO., LTD.

USS RF Connector
I-PEX IV
KLS1-IPEX-004