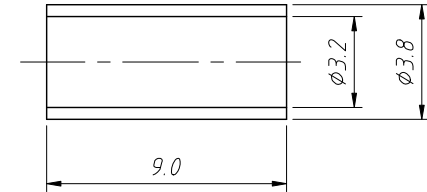
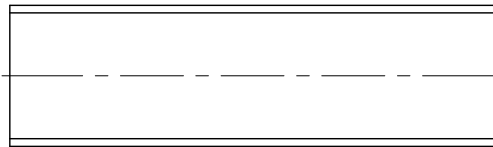
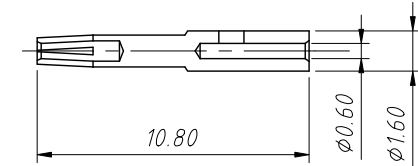
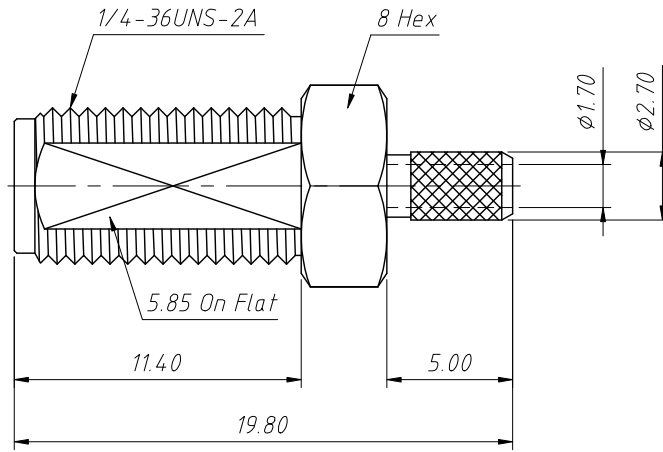
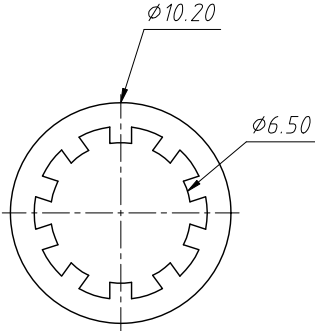
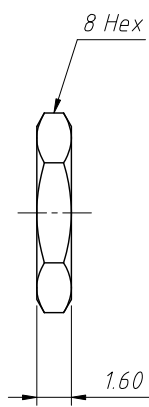
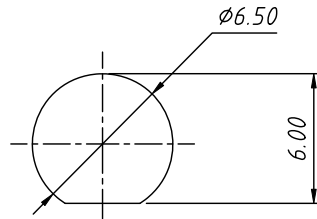


1 RoHS Compliance

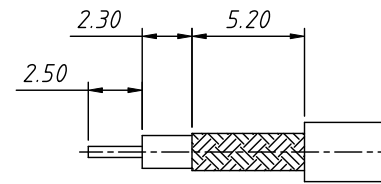


Material:
 Body:Brass,Gold Plating
 Contact Pin:Ber.Copper,Gold Plating
 Insulator:PTFE,Natural
 Lock Washer:Brass,Gold Plating
 Hex Nut:Brass,Gold Plating
 Ferrule:Copper,Gold Plating
 Heat Shrink Tubing:Blak

Note:
 Impedance:50Ω
 Crimped Ferrule Hex Crimp Size 3.83
 Contact Pin To Solder
 Max. Panel Thickness=3.2mm



Recommended Mounting Hole



Recommended Cable Stripping Dim's

ANGLE TOLERANCE	PROJECTION	Description:	Panel Mount SMA Cable Connector Straight (Jack,Female,50Ω)	
±3°				
GENERAL TOLERANCE	UNITS	mm	KLS P/N:	L-KLS1-SMA010
x.x ±0.30	SHEET SIZE	A4		
x.xx ±0.20	Draw:	Daniel	2020-11-11	NingBo KLS ELECTRONIC CO.,L TD.
x.xxx ±0.10	Check:	Daniel	2020-11-11	