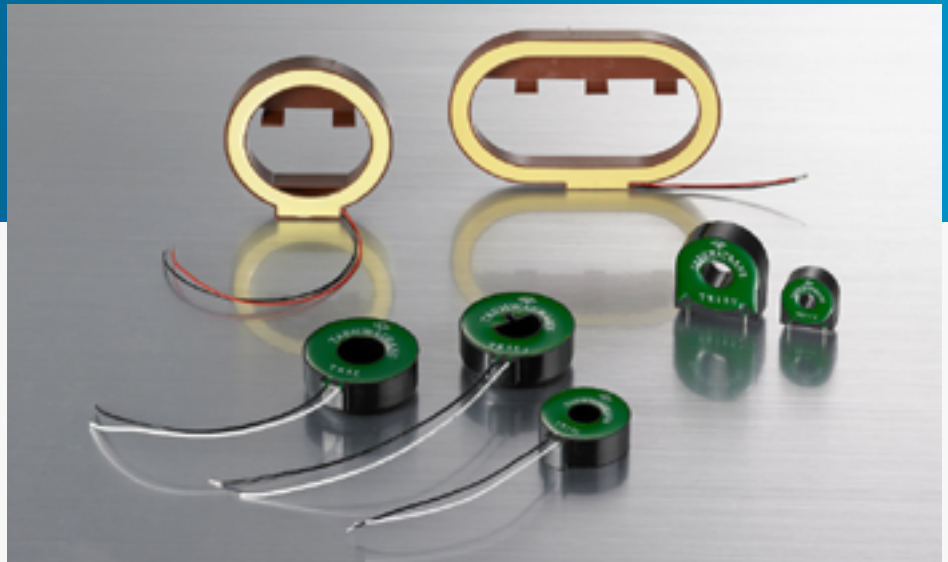


[ROGOWSKI COIL]

*Total Technology & Solution for
Sensing & Monitoring*



① Application

- New generation solid state watt-hour meter. <1-1>
- High power protection relay <1-1, 1-4>
- High frequency power sensor <1-1, 1-3>
- Multi-function control & metering system <1-1, 1-4>
- Welding machine <1-1, 1-3>
- Air circuit breaker <1-2, 1-4>
- Gas / Vacuum circuit breaker <1-2, 1-4>
- Gas Insulation switch <1-2, 1-4>

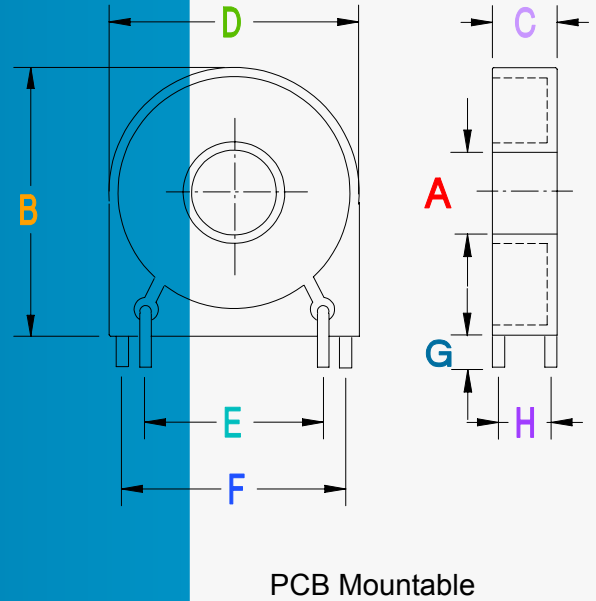
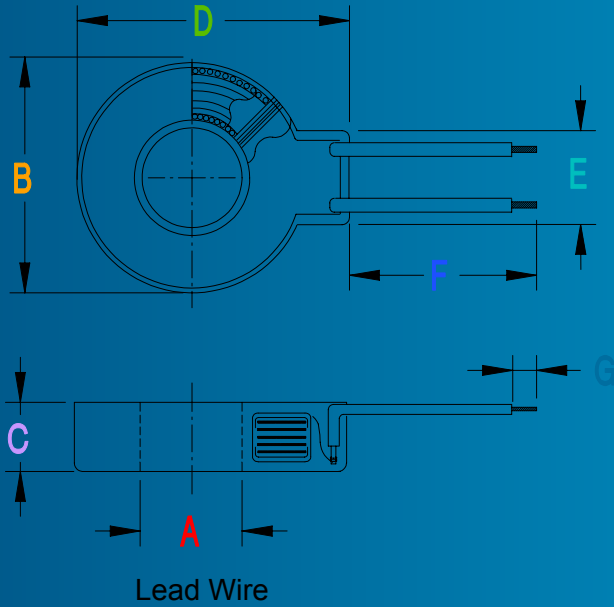
② Features

- Inherent linearity characteristics
- Accurate linearity for frequency response up to 700KHZ
- No saturation properties
- Good rejection of external magnetic field <1-1>
- Excellent phase response (as a function of frequency)
- Accurate measurement of current distortion <1-1>
- Faster response times to faults.

1-1. Rogowski Coil For Precision Measurements and Protection

○ Drawing & Dimension

• Drawing



• Dimension

Lead Wire type (unit : mm/inch)

Model	A(min)	B(max)	C(max)	D(max)	E(max)	F(±3)	G(±1)
TR77L	6.9 0.272"	23.3 0.917"	11 0.433"	26.6 1.047"	7 0.276"	71 2.795"	3 0.118"
TR10L	12.9 0.508"	37.5 1.476"	14 0.551"	41.3 1.626"	10.3 0.406"	254 10.00"	5 0.197"
TR9L	19.4 0.764"	48.2 1.898"	19 0.748"	51 2.008"	12.2 0.480"	270 10.63"	5 0.197"

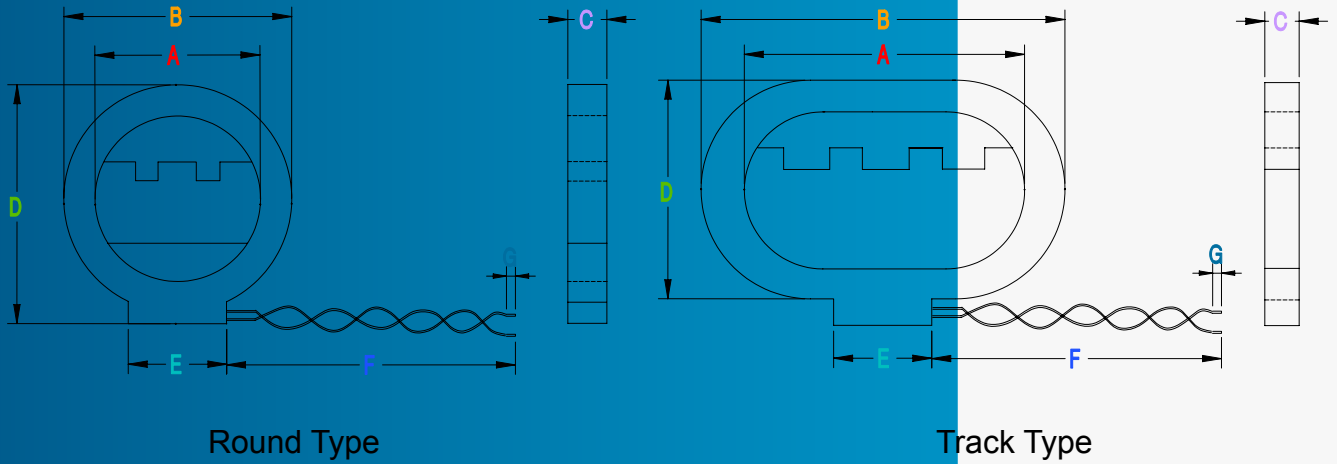
PCB Mountable type (unit : mm/inch)

Model	A(min)	B(max)	C(max)	D(max)	E(±0.3)	F(±0.3)	G(±0.5)	H(±0.3)
TR77V	6.8 0.268"	25 0.984"	11 0.433"	23.5 0.925"	15.1 0.594"	19.1 0.752"	3 0.118"	9.1 0.358"
TR10V	12.9 0.508"	39 1.535"	14 0.551"	37.5 1.476"	25.2 0.992"	32.8 1.291"	3 0.188"	12.1 0.476"
TR9V	18.6 0.732"	55.5 2.185"	20.3 0.799"	50.5 1.988"	30.0 1.181"	60.0 2.362"	3.5 0.138"	10.0 0.394"

1-2. Rogowski Coil For ACB, VCB, GIS

○ Drawing & Dimension

• Drawing



• Dimension

Lead Wire type

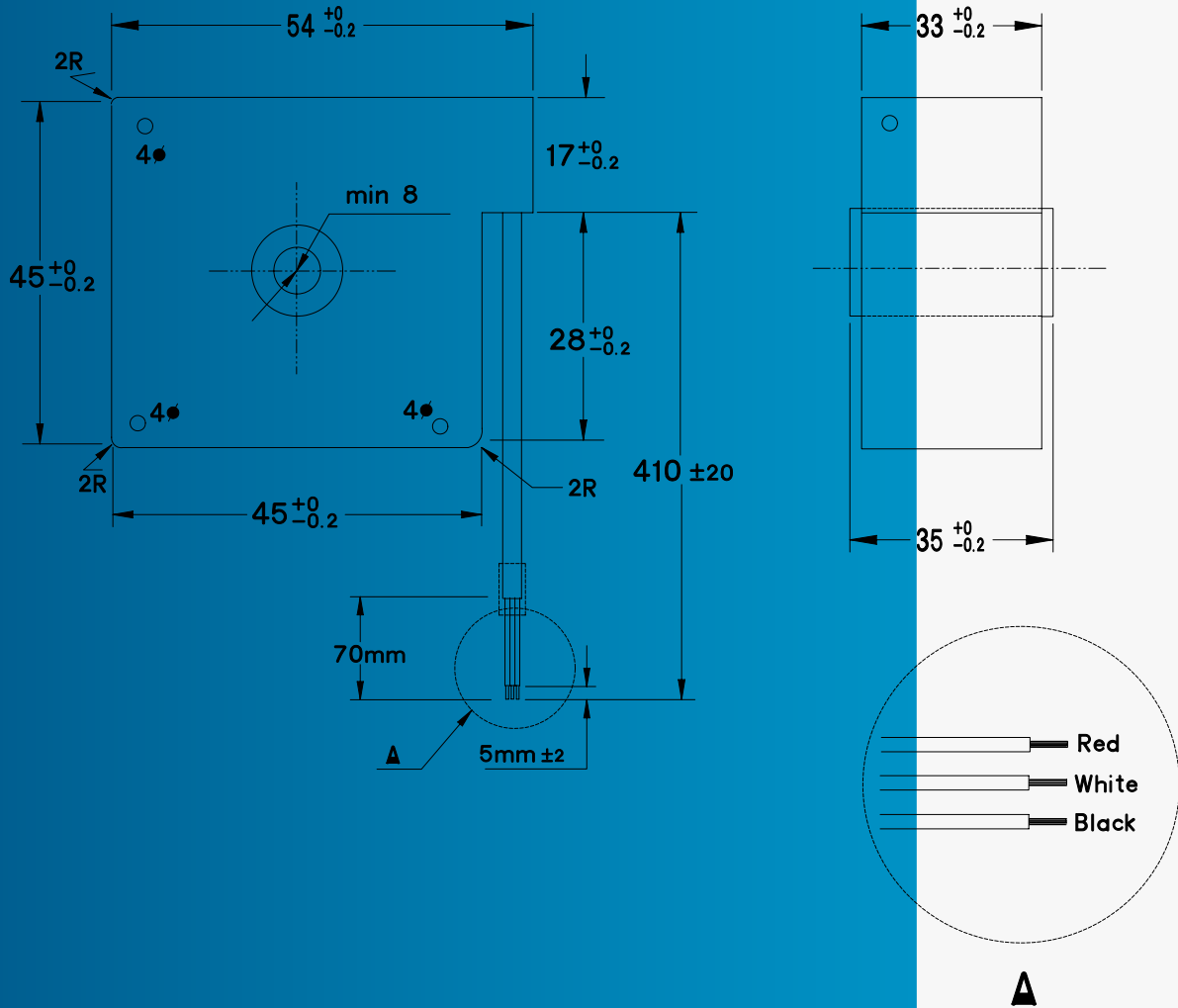
(unit : mm/inch)

Model	Current Rating	A(min)	B(max)	C(max)	D(max)	E(max)	F(±7)	G(±1)	Reference
TR1L	630A	53 2.086"	73 2.874"	12.5 0.492"	76.5 3.011"	31.5 1.240"	300 11.811"	5 0.196"	Round 0.18∅ 7 Strands
TR2L	1000A								
TR3L	1250A								
TR4L	1600A								
TR5L	2000A	98 3.858"	119 4.685"	11 0.433"	76 2.992"	31.5 1.240"	300 11.811"	5 0.196"	Track 0.18∅ 7 Strands
TR6L	2500A								
TR7L	3200A								
TR8L	4000A								

1-3. Rogowski Coil For Welding Machine

● Drawing & Specification

• Drawing



• Specification

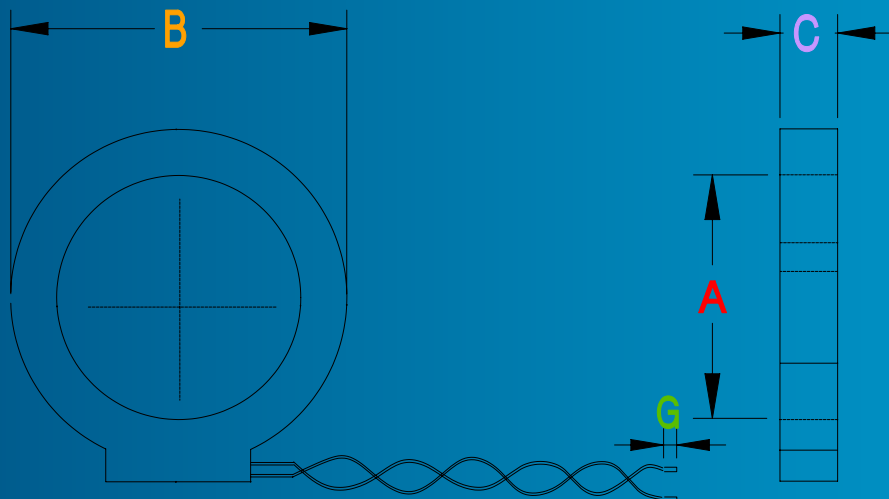
Rated Current (A)	1000Amp
Frequency (Hz)	50Hz / 60Hz
Output Voltage	2.55V +0, -20%
Hi-Pontential	AC2000V / min
Insulation	100M Ω / min

※ Adjusting the secondary burden 10k Ω by $\pm 5\%$ with the varistor

1-4. Rogowski Coil For GIS

● Drawing & Specification

• Drawing



• Dimension (unit : mm/inch)

A(ID)	B(OD)	C(H)
335	375	17
13.189"	14.764"	0.669"

• Electrical Specification

Rated Current	4000A or more
Measuring Condition	$I_0 = 400A, 60Hz$
	$R = 6.43K\Omega$
	$V = 169.7mV$
Hi-Potential Voltage	AC2000V per min