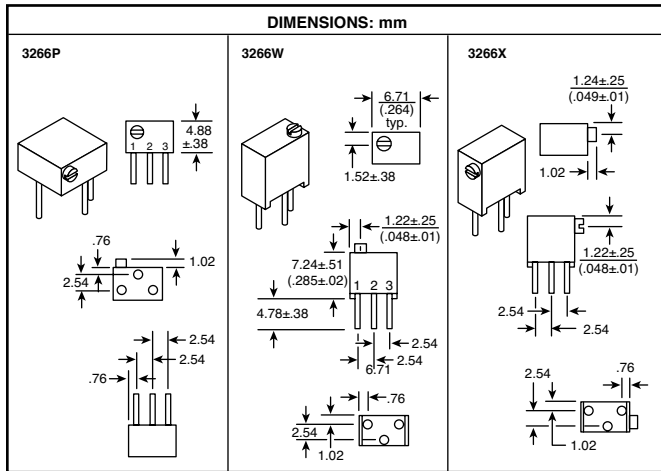


BOURNS Multi-Turn Cermet Trimmer Potentiometers

BOURNS®

RoHS Compliant This product is RoHS compliant.

BOURNS® 3266 SERIES 1/4" SQUARE/ 12 TURN/ SEALED



Specifications:

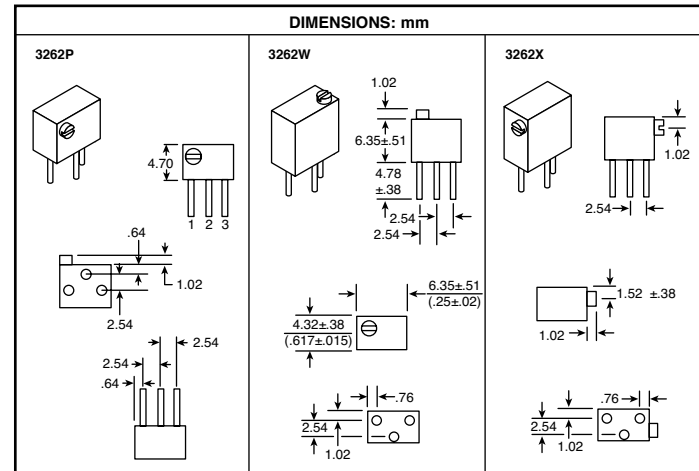
- Resistance tolerance: ±10% std.
- Power rating: 70°C - 0.25W; 150°C - 0W
- Temperature range: -55°C to +150°C
- Temperature coefficient: ±100ppm/°C

RoHS Compliant
For quantities of 2,000 or more, call for quote.

| Series No. | Price Each | | | | |
|---------------------|------------|----|----|-----|----------|
| | 1 | 10 | 50 | 100 | 500 1000 |
| 3266P, 3266W, 3266X | | | | | |

| Value (Ω) | 3266P Series | 3266W Series | 3266X Series |
|-----------|-------------------|-------------------|-------------------|
| | MOUSER STOCK NO. | | |
| 50 | 652-3266P-1-500LF | 652-3266W-1-500LF | 652-3266X-1-500LF |
| 100 | 652-3266P-1-101LF | 652-3266W-1-101LF | 652-3266X-1-101LF |
| 200 | 652-3266P-1-201LF | 652-3266W-1-201LF | 652-3266X-1-201LF |
| 500 | 652-3266P-1-501LF | 652-3266W-1-501LF | 652-3266X-1-501LF |
| 1K | 652-3266P-1-102LF | 652-3266W-1-102LF | 652-3266X-1-102LF |
| 2K | 652-3266P-1-202LF | 652-3266W-1-202LF | 652-3266X-1-202LF |
| 5K | 652-3266P-1-502LF | 652-3266W-1-502LF | 652-3266X-1-502LF |
| 10K | 652-3266P-1-103LF | 652-3266W-1-103LF | 652-3266X-1-103LF |
| 20K | 652-3266P-1-203LF | 652-3266W-1-203LF | 652-3266X-1-203LF |
| 25K | 652-3266P-1-253LF | 652-3266W-1-253LF | 652-3266X-1-253LF |
| 50K | 652-3266P-1-503LF | 652-3266W-1-503LF | 652-3266X-1-503LF |
| 100K | 652-3266P-1-104LF | 652-3266W-1-104LF | 652-3266X-1-104LF |
| 200K | 652-3266P-1-204LF | 652-3266W-1-204LF | 652-3266X-1-204LF |
| 500K | 652-3266P-1-504LF | 652-3266W-1-504LF | 652-3266X-1-504LF |
| 1M | 652-3266P-1-105LF | 652-3266W-1-105LF | 652-3266X-1-105LF |

BOURNS® 3262 SERIES 1/4" SQUARE/ 12 TURN/ SEALED



Specifications:

- Resistance tolerance: ±10% std.
- Power rating: 85°C - 0.25W; 150°C - 0W
- Temperature range: -65°C to +150°C
- Temperature coefficient: ±100ppm/°C

RoHS Compliant

Features:

- Listed on the QPL for style RJ26 per MIL-R-22097 and RJR26 per High-Rel MIL-R-39035
- Patent #4427966 drive mechanism

For quantities of 500 or more, call for quote.

| Series No. | Price Each | | | |
|---------------------|------------|----|----|-----|
| | 1 | 10 | 50 | 100 |
| 3262P, 3262W, 3262X | | | | |

| Value (Ω) | 3262P Series | 3262W Series | 3262X Series |
|-----------|-------------------|-------------------|-------------------|
| | MOUSER STOCK NO. | | |
| 100 | 652-3262P-1-101LF | 652-3262W-1-101LF | 652-3262X-1-101LF |
| 200 | 652-3262P-1-201LF | 652-3262W-1-201LF | 652-3262X-1-201LF |
| 500 | 652-3262P-1-501LF | 652-3262W-1-501LF | 652-3262X-1-501LF |
| 1K | 652-3262P-1-102LF | 652-3262W-1-102LF | 652-3262X-1-102LF |
| 2K | 652-3262P-1-202LF | 652-3262W-1-202LF | 652-3262X-1-202LF |
| 5K | 652-3262P-1-502LF | 652-3262W-1-502LF | 652-3262X-1-502LF |
| 10K | 652-3262P-1-103LF | 652-3262W-1-103LF | 652-3262X-1-103LF |
| 20K | 652-3262P-1-203LF | 652-3262W-1-203LF | 652-3262X-1-203LF |
| 25K | 652-3262P-1-253LF | 652-3262W-1-253LF | 652-3262X-1-253LF |
| 50K | 652-3262P-1-503LF | 652-3262W-1-503LF | 652-3262X-1-503LF |
| 100K | 652-3262P-1-104LF | 652-3262W-1-104LF | 652-3262X-1-104LF |
| 200K | 652-3262P-1-204LF | 652-3262W-1-204LF | 652-3262X-1-204LF |
| 250K | 652-3262P-1-254LF | 652-3262W-1-254LF | 652-3262X-1-254LF |
| 500K | 652-3262P-1-504LF | 652-3262W-1-504LF | 652-3262X-1-504LF |

BOURNS® 3299 SERIES 3/8" SQUARE/ 25 TURN/ SEALED

RoHS Compliant

Specifications:

- Resistance tolerance: ±10% std.
- Power rating: 70°C - 0.5W; 125°C - 0W
- Temperature range: -55°C to +125°C
- Temperature coefficient: ±100ppm/°C

For quantities of 1,000 or more, call for quote.

| Series No. | Price Each | | | | |
|-----------------------------|------------|----|----|-----|-----|
| | 1 | 10 | 50 | 100 | 500 |
| 3299P, 3299Z 3299W, X, Y | | | | | |

| Value (Ω) | 3299P Series | 3299W Series | 3299X Series | 3299Y Series | 3299Z Series |
|-----------|-------------------|-------------------|-------------------|-------------------|-------------------|
| | MOUSER STOCK NO. | | | | |
| 10 | 652-3299P-1-100LF | 652-3299W-1-100LF | 652-3299X-1-100LF | 652-3299Y-1-100LF | 652-3299Z-1-100LF |
| 20 | 652-3299P-1-200LF | 652-3299W-1-200LF | 652-3299X-1-200LF | 652-3299Y-1-200LF | 652-3299Z-1-200LF |
| 50 | 652-3299P-1-500LF | 652-3299W-1-500LF | 652-3299X-1-500LF | 652-3299Y-1-500LF | 652-3299Z-1-500LF |
| 100 | 652-3299P-1-101LF | 652-3299W-1-101LF | 652-3299X-1-101LF | 652-3299Y-1-101LF | 652-3299Z-1-101LF |
| 200 | 652-3299P-1-201LF | 652-3299W-1-201LF | 652-3299X-1-201LF | 652-3299Y-1-201LF | 652-3299Z-1-201LF |
| 500 | 652-3299P-1-501LF | 652-3299W-1-501LF | 652-3299X-1-501LF | 652-3299Y-1-501LF | 652-3299Z-1-501LF |
| 1K | 652-3299P-1-102LF | 652-3299W-1-102LF | 652-3299X-1-102LF | 652-3299Y-1-102LF | 652-3299Z-1-102LF |
| 2K | 652-3299P-1-202LF | 652-3299W-1-202LF | 652-3299X-1-202LF | 652-3299Y-1-202LF | 652-3299Z-1-202LF |
| 5K | 652-3299P-1-502LF | 652-3299W-1-502LF | 652-3299X-1-502LF | 652-3299Y-1-502LF | 652-3299Z-1-502LF |
| 10K | 652-3299P-1-103LF | 652-3299W-1-103LF | 652-3299X-1-103LF | 652-3299Y-1-103LF | 652-3299Z-1-103LF |
| 20K | 652-3299P-1-203LF | 652-3299W-1-203LF | 652-3299X-1-203LF | 652-3299Y-1-203LF | 652-3299Z-1-203LF |
| 25K | 652-3299P-1-253LF | 652-3299W-1-253LF | 652-3299X-1-253LF | 652-3299Y-1-253LF | 652-3299Z-1-253LF |
| 50K | 652-3299P-1-503LF | 652-3299W-1-503LF | 652-3299X-1-503LF | 652-3299Y-1-503LF | 652-3299Z-1-503LF |
| 100K | 652-3299P-1-104LF | 652-3299W-1-104LF | 652-3299X-1-104LF | 652-3299Y-1-104LF | 652-3299Z-1-104LF |
| 200K | 652-3299P-1-204LF | 652-3299W-1-204LF | 652-3299X-1-204LF | 652-3299Y-1-204LF | 652-3299Z-1-204LF |
| 250K | 652-3299P-1-254LF | 652-3299W-1-254LF | 652-3299X-1-254LF | 652-3299Y-1-254LF | 652-3299Z-1-254LF |
| 500K | 652-3299P-1-504LF | 652-3299W-1-504LF | 652-3299X-1-504LF | 652-3299Y-1-504LF | 652-3299Z-1-504LF |
| 1M | 652-3299P-1-105LF | 652-3299W-1-105LF | 652-3299X-1-105LF | 652-3299Y-1-105LF | 652-3299Z-1-105LF |
| 2M | 652-3299P-1-205LF | 652-3299W-1-205LF | 652-3299X-1-205LF | 652-3299Y-1-205LF | 652-3299Z-1-205LF |

