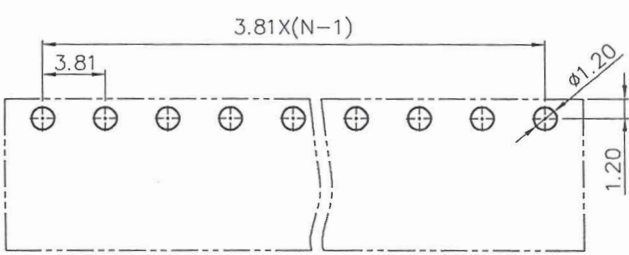
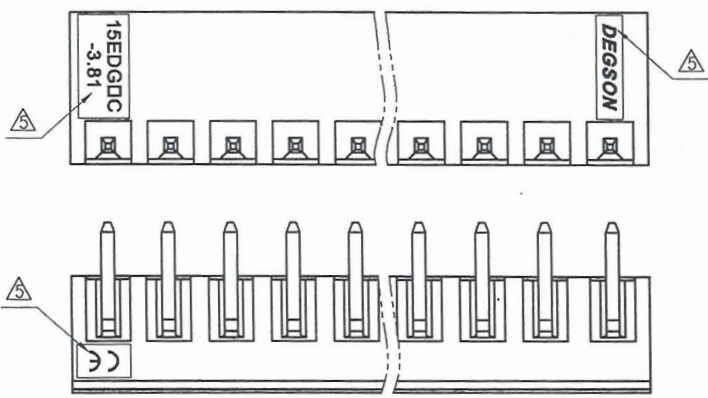
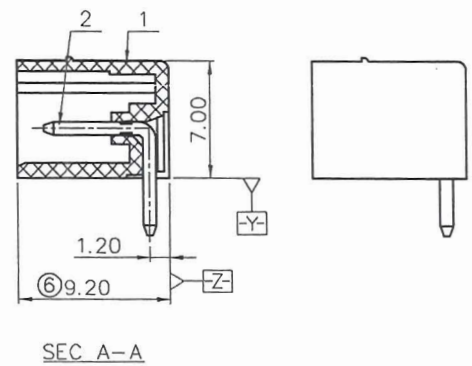
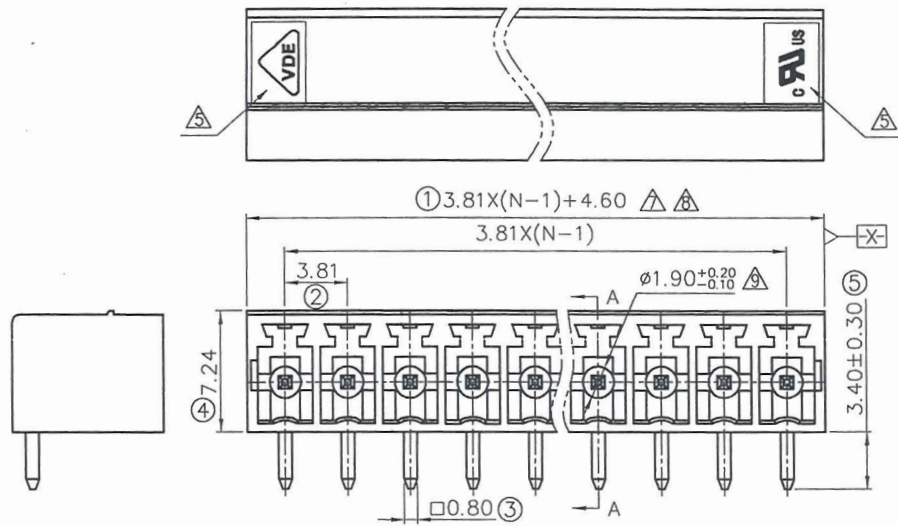


REVISION RECORD				
REV	ECN	DESCRIPTION	DRFT	DATE
△		去掉UL中的小“R”字	CSX	09/17/07
△		更新图面	LJH	03/01/08
△		老模新开更改刻字	WLM	07/12/08
△		增加自动化方针	WLM	10/31/08
△		增加VDE,CE刻字及修改刻字	Zengy	12/26/08
△		工程变更2-6P取消卡槽	XGF	04/11/09
△		修改总长度公差增加变形度管控	ZMT	01/14/13
△		修改总长度公差,改为未注公差	xlm	05/17/13
△	15-0440	增加顶出力标准、管控尺寸及自动化自动化针	HHJ	11/15/15



备注一:

- UL 标准
 - 1. 额定电压与电流 : 300V / 8A
 - 2. 工频耐压 : AC1600V/1Min.
- VDE 标准

1. 污染等级	2
过压类别	II
额定脉冲电压(KV)	2.5KV
额定电压(V)	250V
额定电流(A)	7A

备注二:

- 1. 尺寸标注符合标准 ASME Y14.5-2009
- 2. P距 : 3.81mm, P数范围 : N=2~24P
- 3. 使用温度范围 : -40°C~+105°C

- △. 顶出力 ≥ 20N
- 5. "⊗" 为重点管控尺寸
- 6. 未注公差表:

P距方向公差(mm)		其他尺寸公差(mm)				- / 0 / □	
≤6	6 ~ 10 10 ~ 24	≤30	30 ~ 60 60 ~ 100	100 ~ 150	>150	0.05/10	<
±0.10		±0.15	±0.25	±0.20	±0.30	±0.50	±0.70
		±1.00	±1.00	±1.00	±1.00	±1.00	±1.00

7. 须符合RoHS环保要求

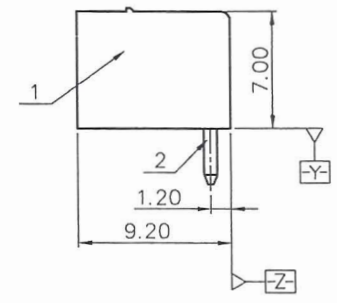
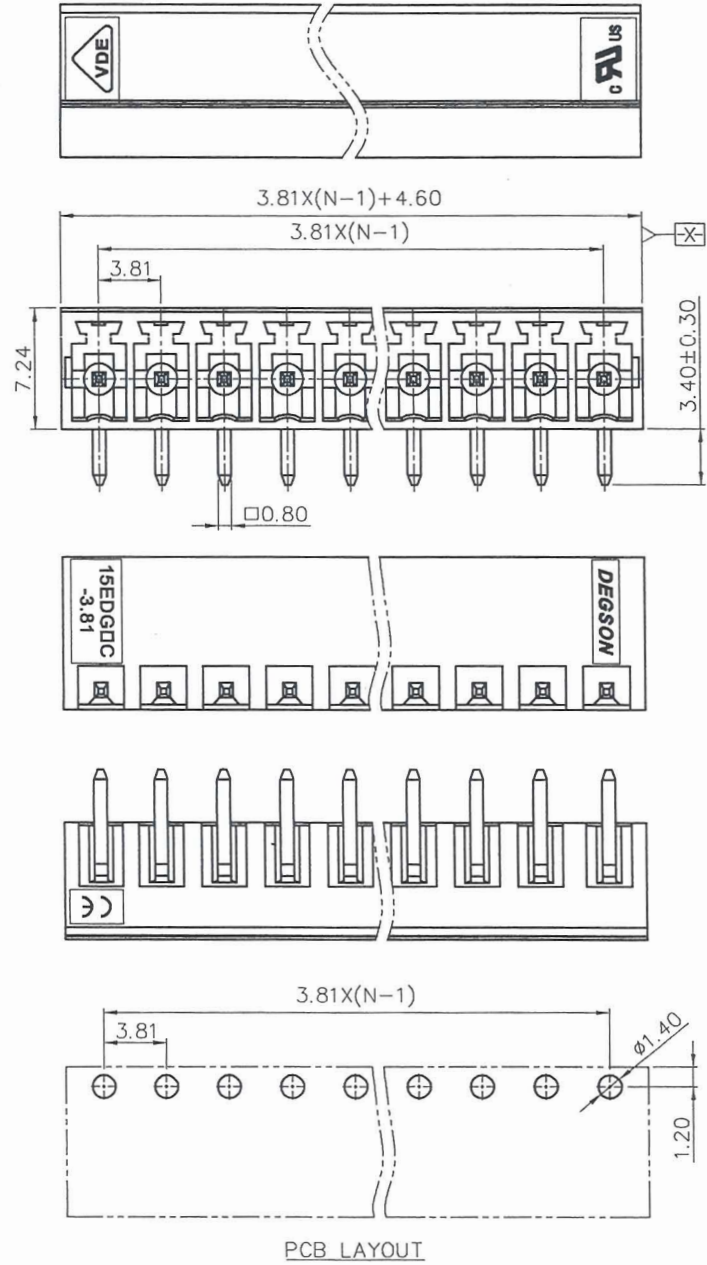


ITEM	NAME OF PART	NO. OF PART	Q'TY	MATERIAL	NOTES
2	15EDGRC-自动化弯针(6.8X6.8)	1003B00170(H)	N	黄铜	镀锡
2	15EDGRC-自动化针	1003B00040(H)△	N	黄铜	镀锡
2	15EDGRC-手工针	1003B00010(H)	N	黄铜	镀锡
1	15EDGRC-3.81-塑件	1003AYYXA(H)	1	PA66	UL94V-0

PART NO.: /		宁波高松电子有限公司		
APPD: <i>Apron 11/11/15</i>		DEGSON® NINGBO DEGSON ELECTRICAL CO., LTD		
CHKD: <i>Xlm/11/15</i>		NAME: 15EDGRC-3.81-XXP-1Y-00A(H)		
DRFT: LIN 05/19/06		TITLE: ASSEMBLY DRAWING		REV: T9
DRAWING NO.: 15EDGRC-3.81-E02		SHEET: 1/1		SCALE: 1:1
THIRD ANGLE PROJECTION		DO NOT SCALE DRAWING		SCALE: 1:1

REVISION RECORD				
REV	ECN	DESCRIPTION	DRFT	DATE

H
G
F
E
D
C
B
A



NOTES1:

- UL Standard
- 1. Rated Voltage/Current : 300V / 8A
- 2. Withstanding Voltage : AC1600V/1Min.
- VDE Standard

1. Pollution Degree	2
Overvoltage Category	II
Rate Impulse Voltage(KV)	2.5KV
Rate Voltage(V)	250V
Rate Current(A)	7A

NOTES2:

- 1. Dimension shall be interpreted per ASME Y14.5-2009
- 2. Pitch : 3.81mm, Poles : N=2~24P
- 3. Operating temperature: $-40^{\circ}\text{C} \sim +105^{\circ}\text{C}$
- 4. Undimensioned Tolerances:

Pitch Range In mm	Nominal Dimension Range In mm							0.1/10	
	Over 6 TO 10	Over 10 TO 24	Over 30 TO 60	Over 60 TO 100	Over 100 TO 150	Over 150			
	± 0.15	± 0.20	± 0.30	± 0.30	± 0.50	± 0.70	± 1.00	± 1.30	$\pm 2'$

5. RoHS Compliance

文管中心
研发专用
2016.3.08
内部使用, 对外无效

2	PIN	Copper Alloy	Sn Plated
1	HOUSING	PA66	UL94v-0
ITEM	NAME OF PART	MATERIAL	NOTES

DEGSON 宁波高松电子有限公司
NINGBO DEGSON ELECTRICAL CO., LTD

NAME: 15EDGRC-3.81-XXP-1Y-00A(H)

TITLE: CUSTOMER DRAWING

DRAWING NO.: 15EDGRC-3.81-C02

THIRD ANGLE PROJECTION

DO NOT SCALE DRAWING

SCALE: 1:1

H
G
F
E
D
C
B
A