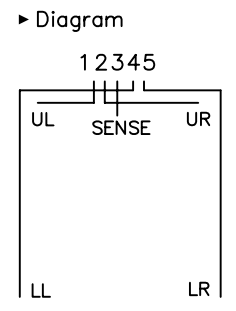


NOTE

- 1. Panel Type
 - Resistive(5-Wire) EST
- 2. Thickness (Glass)
 - 1.4 (1.1) 2.1 (1.8) 3.2 (2.9)
- 3. Film Type
 - Clear Non-glare Anti Newton's Rings
- 4. Transmittance
 - Typical 80%
- 5. Terminal

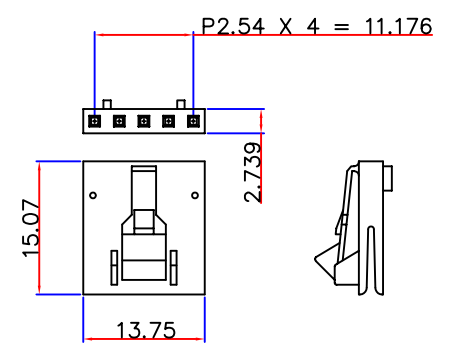
► Signal

PIN	SIGNAL
1	UL
2	UR
3	SENSE
4	LL
5	LR



Connector (Not to scale)

HOUSING	AMP P/N 487526-4	PIN (5X)	AMP P/N 487406-1
---------	------------------	----------	------------------



REV.	DATE	DESCRIPTION	BY/APP'D
02	'05.08.16	Modified Dimension (O/D,V/A,A/A)	S.D./J.Y.
01	'04.01.29	NEW RELEASE	S.D./J.Y.

FPC NO.	SCALE	1/1	DATE	2005.08.16
F192D15-06	SIZE	A4	DESIG'D	S. D. KIM
THIRD ANGLE PROJECTION	UNIT	MM	CHK'D	-
STD.TOL	±0.3	APP'D	J. Y. PARK	

DRAW. NO	5W-190B-02
PRODUT NO.	5W-190B

NOTICE OF PROPRIETARY PROPERTY
 THIS DOCUMENT CONTAINS CONFIDENTIAL AND PROPRIETARY INFORMATION OF Digitech Systems co., Ltd. AND NEITHER IT NOR THE INFORMATION CONTAINED THEREIN SHALL BE DISCLOSED TO OTHERS OR DUPLICATED OR USED FOR OTHERS WITHOUT THE EXPRESS WRITTEN CONSENT OF Digitech Systems co., Ltd.