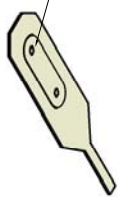
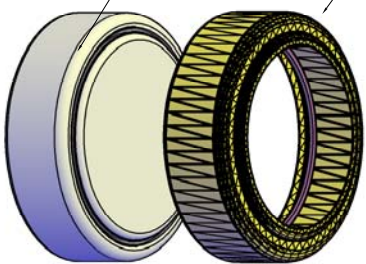


(Scale: 2 : 1)

Cathode tab
(负极焊片)

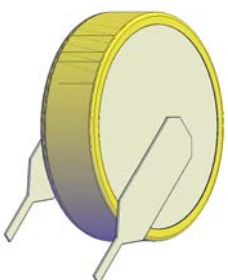
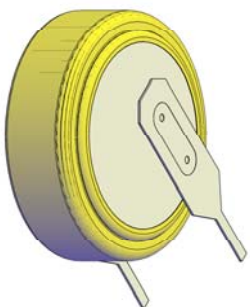
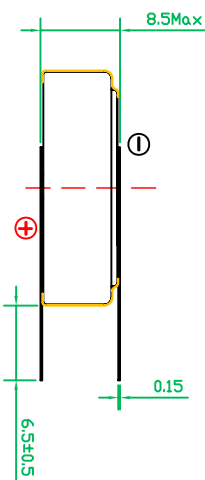
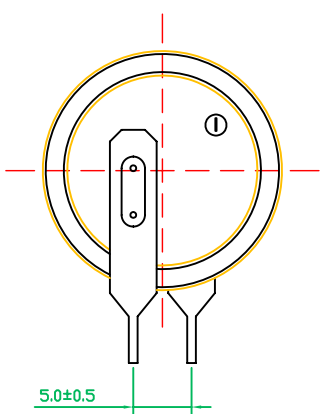
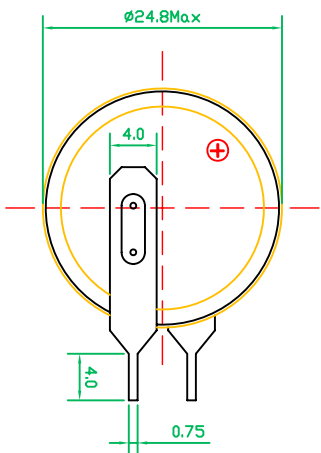
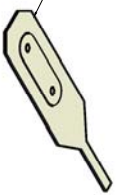


Yellow(黄色)
PVC



Cell(电芯):CR2477
1000mAh

Anode tab
(正极焊片)



- Remark(备注):
1. Cell(电芯): Button, Yellow PVC, with date code(扣式, 包黄色 PVC, 表面喷码)
 2. Cathode/Anode tab: Stainless steel plated with nickel
正/负极焊片材质: 不锈钢镀镍
 3. RoHS Compliant
严格按照ROHS要求生产



EMB BATTERY

Title		Drawn:		Zlizer	Revise No.:	E4-2009
File NO.		Checked 1:		Ariel	Projection:	
A10957		Checked 2:			Page:	1/1
		Approved:			Scale:	1.5: 1
		Draw Date:		2015/03/11	Unit:	mm