

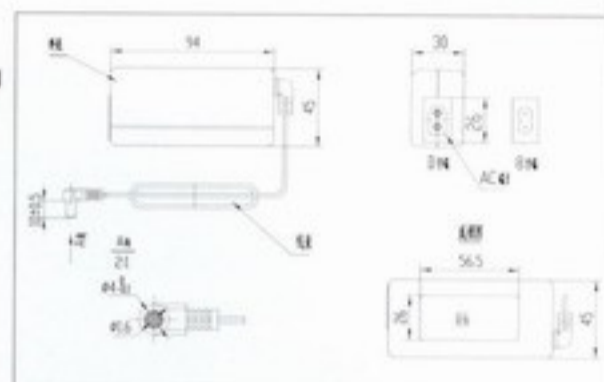
DESK TOP AC/DC ADAPTER

ADPV18/08/10 series (18-30W)



Features

- Universal AC input/Full range
- No load power consumption < 0.75W
- Meet energy star level III(CEC)
- 2 pole AC inlet IEC-C8 .
- Class II power (Without earth pin)
- Protections : Short circuit /overload/over voltage/ over temp.
- Full enclosed plastic case
- Topology : Top switch circuit
- Approvals : UL/CE/SAA/CCC
- 1 year warranty

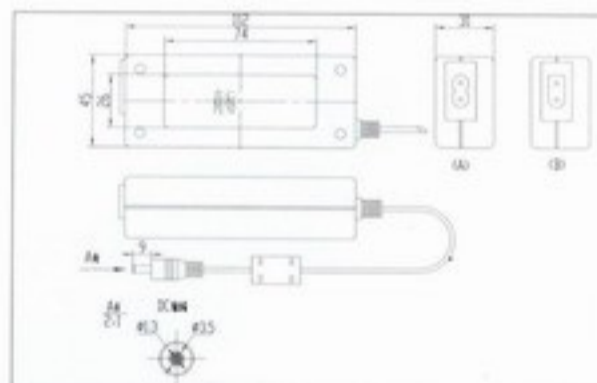


MODEL	INPUT	OUTPUT	DIMENSION(mm)
ADPV18A	90-264VAC	9VDC@2.2A	94x45x30
ADPV18B	90-264VAC	12VDC@1.5A	94x45x30
ADPV18C	90-264VAC	13.8VDC@1.5A	94x45x30
ADPV18D	90-264VAC	24VDC@0.7A	94x45x30
ADPV18E	90-264VAC	5VDC@3A	94x45x30
ADPV18F	90-264VAC	16VDC@1.5A	94x45x30
ADPV18G	90-264VAC	6VDC@2.8A	94x45x30
ADPV18H	90-264VAC	8.2VDC@2.5A	94x45x30



Features

- Universal AC input/Full range
- No load power consumption < 0.75W ,
- Meet energy star level III(CEC)
- 2 pole AC inlet IEC-C8 .
- Class II power (Without earth pin)
- Protections : Short circuit /overload/over voltage/ over temp.
- Full enclosed plastic case
- Topology : Top switch circuit
- Approvals : UL/GS/CE/CCC/PSE/EK
- 1 year warranty



MODEL	INPUT	OUTPUT	DIMENSION(mm)
ADPV08	90-264VAC	9VDC@2.2A	112x45x31
ADPV10	90-264VAC	12VDC@2A	112x45x31
ADPV10B	90-264VAC	24VDC@1A	112x45x31
ADPV10F	90-264VAC	6VDC@2.2A	112x45x31