



FEATURES:

- RoHS compliant
- Switching power modules for PCB mounting
- Fully encapsulated plastic case
- Universal input: 90-260VAC, 47-440Hz, or 120-370VDC
- Soft start
- High efficiency up to 71%
- Standard package
- UVLO / OVLO Shutdown

Models Single output

Model	Input Voltage (VAC/Hz)	Input Voltage (VDC)	Max Output wattage (W)	Output Voltage (V)	Output Current max (mA)	Minimum load (%)	Efficiency (%)
AME05-3.3SZ	90-260/47-440	120-370	5	3.3	1500	4	62
AME05-5SZ	90-260/47-440	120-370	5	5	1000	1	65
AME05-12SZ	90-260/47-440	120-370	5	12	416	1	70
AME05-15SZ	90-260/47-440	120-370	5	15	333	0	70
AME05-24SZ	90-260/47-440	120-370	5	24	200	0	71

Models Dual output

Model	Input Voltage (VAC, Hz)	Input Voltage (VDC)	Max Output wattage (W)	Output Voltage (V)	Output Current max (mA)	Minimum load (%)	Efficiency (%)
AME05-5DZ	90-260/47-440	120-370	5	±5	±500	0	70
AME05-12DZ	90-260/47-440	120-370	5	±12	±200	0	67
AME05-15DZ	90-260/47-440	120-370	5	±15	±160	3	67

Input Specifications

Parameters	Conditions	Typical	Maximum	Units
Current	115 VAC		110	mA
	230 VAC		230	mA
Inrush current <2ms	115 VAC		10	A
	230 VAC		20	A
Leakage current			0.75	mA
External fuse	Recommended slow blow type	1.5		A

Output Specifications

Parameters	Conditions	Typical	Maximum	Units
Voltage accuracy		±2		%
Line regulation		±0.3		%
Load regulation		±0.5		%
Maximum capacitive load	Depending of the model	470-23 000		µF
Noise			<0.5 %Vout + 50 m V	
Ripple			<0.2 %Vout + 40 m V	
Hold-up time (min)		15		ms

Isolation Specifications

Parameters	Conditions	Typical	Maximum	Units
Input / Output		3000		VAC
Input FG		1500		VAC
Output FG		500		VAC

General Specifications

Parameters	Conditions	Typical	Maximum	Units
Switching frequency		100		KHz
Over current protection	Auto recovery	Hiccup		
Over voltage protection		Zener diode clamp		
Short circuit protection	Auto recovery	Hiccup mode, indefinite		
Operating temperature	With derating above 50°C	-25 - +70		°C
Storage temperature		-40 to +85		°C
Temperature coefficient		0.02		% / °C
Cooling	Free air convection			
Humidity	Non condensing		95	% RH
Case material	Plastic resin + Fiberglass (flammability to UL 94V-0)			
Weight		58		g
Dimensions	2.17 x 1.77 x 0.81 inches		55.0 x 45.0 x 20.5 mm	
MTBF	> 290 000 hrs (MIL-HDBK -217F, t=+25°C)			

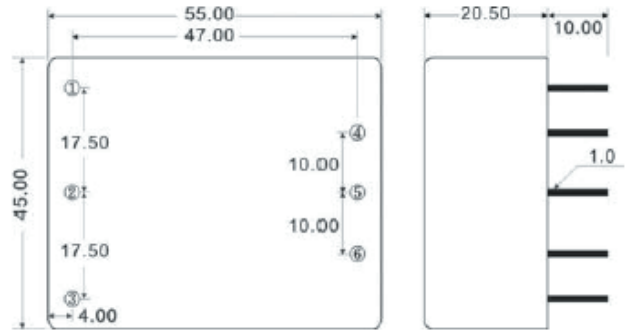
Safety Specifications

Standards	
Safety	EN55022 class B (EMI - Conducted & Radiated Emission), EN 50082-1 (EMS - Noise Immunity)
Agency approvals	cULus, CE

Pin Out Specifications

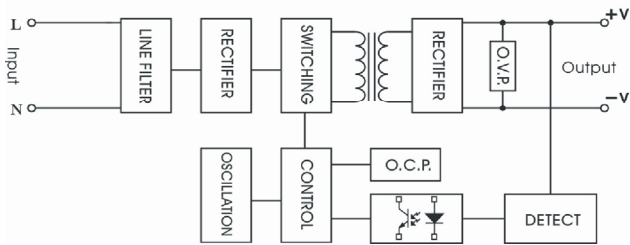
Pin	Single	Dual
1	FG	FG
2	AC Input (N)	AC Input (N)
3	AC Input (L)	AC Input (L)
4	-V Output	-V Output
5	No pin	Common
6	+V Output	+V Output

Dimensions

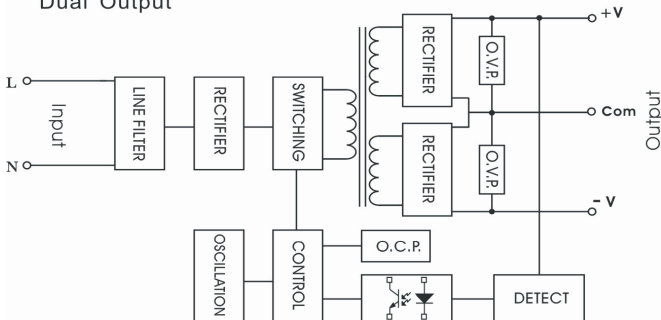


Block diagram

Single Output



Dual Output



Power Derating Curve

