



### FEATURES:

- RoHS compliant
- Switching power modules for PCB mounting
- Fully encapsulated plastic case
- Universal Input: 90-260VAC, 47-440Hz, or 120-370VDC
- Low ripple and noise
- High efficiency up to 80%
- Regulated output
- CE, cULus approvals

### Models

#### Single output

Model	Input Voltage (VAC/Hz)	Input Voltage (VDC)	Max Output wattage (W)	Output Voltage (V)	Output Current max (A)	Minimum load (%)	Efficiency (%)
AME30-3.3SZ	90-260/47-440	120-370	20	3.3	6	5	70
AME30-5SZ	90-260/47-440	120-370	30	5	6	4	75
AME30-12SZ	90-260/47-440	120-370	30	12	2.5	2	80
AME30-15SZ	90-260/47-440	120-370	30	15	2	2	80
AME30-24SZ	90-260/47-440	120-370	30	24	1.25	2	77

### Models

#### Dual and Dual Separated output

Model	Input Voltage (VAC/Hz)	Input Voltage (VDC)	Max Output wattage (W)	Output Voltage (V)	Output Current max (A)	Minimum load (%)	Efficiency (%)
AME30-5DZ	90-260/47-440	120-370	30	±5	±3	2	73
AME30-12DZ	90-260/47-440	120-370	30	±12	±1.25	3	78
AME30-15DZ	90-260/47-440	120-370	30	±15	±1	1	76
AME30-5S12SZ	90-260/47-440	120-370	30	5/12	3/1.25	20	77

### Models

#### Triple output

Model	Input Voltage (VAC/Hz)	Input Voltage (VDC)	Max Output wattage (W)	Output Voltage (V)	Output Current max (A)	Minimum load (%)	Efficiency (%)
AME30-512TZ	90-260/47-440	120-370	30	5 / ±12	3/±0.63	20	77
AME30-515TZ	90-260/47-440	120-370	30	5 / ±15	3/±0.5	20	76

### Input Specifications

Parameters	Conditions	Typical	Maximum	Units
Current	115 VAC		520	mA
	230 VAC		320	mA
Inrush current <2ms	115 VAC		10	A
	230 VAC		20	A
Leakage current			0.75	mA
External fuse	Recommended slow blow type	1.5		A

### Output Specifications

Parameters	Conditions	Typical	Maximum	Units
Voltage accuracy		±2		%
Line regulation (LL-HL)	All single output	±1		%
	All dual output	±1		%

### Output Specifications (continued)

Parameters	Conditions	Typical	Maximum	Units
Line regulation (LL-HL)	All triple output	±1 / ±5		%
Load regulation (5-100%)	All single output	±1		%
	All Dual output	±3		%
	Dual Separated	±2 / ±6		%
	All triple output	±2 / ±6		%
	Maximum capacitive load	Depending of the model	470-23 000	
Noise			0.5 %Vout + 50 m V	V p-p
Ripple			0.2 %Vout + 40 m V	V p-p
Hold-up time (min)		15		ms

### Isolation Specifications

Parameters	Conditions	Typical	Maximum	Units
Input / Output		3000		VAC

### General Specifications

Parameters	Conditions	Typical	Maximum	Units
Switching frequency		100		KHz
Over current protection	Auto recovery	Hiccup		
Over voltage protection		Zener diode clamp		
Short circuit protection	Auto recovery	Hiccup mode, indefinite		
Operating temperature	With derating above 50°C	-25 - +70		°C
Storage temperature		-40 to +85		°C
Temperature coefficient		0.02		%/°C
Cooling		Free air convection		
Humidity	Non condensing		95	% RH
Case material		Plastic resin + Fiberglass (flammability to UL 94V-0)		
Weight		220		g
Dimensions		3.5 x 2.5 x 0.98 inches	89.0 x 63.5 x 25.0 mm	
MTBF		> 200 000 hrs (MIL-HDBK -217F, t=+25°C)		

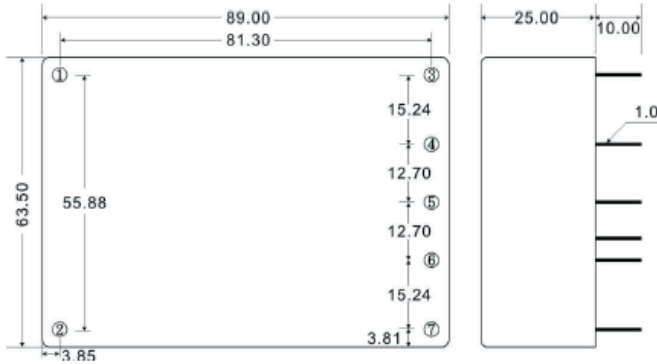
### Safety Specifications

Standards	
Safety	EN55022 class B (EMI – Conducted & Radiated Emission), EN 55024 (EMS – Noise Immunity)
Agency approvals	cULus, CE

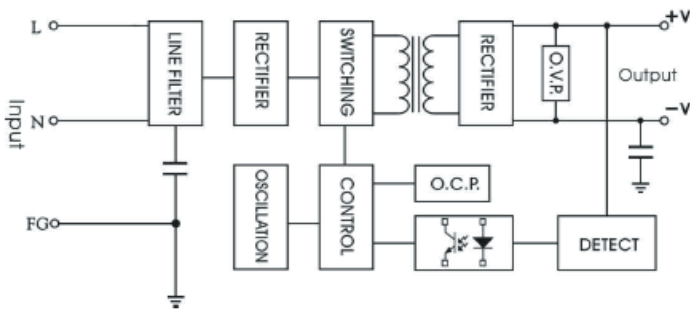
### Pin Out Specifications

Pin	Single	Dual	Dual separated	Triple
1	AC Input (N)	AC Input (N)	AC Input (N)	AC Input (N)
2	AC Input (L)	AC Input (L)	AC Input (L)	AC Input (L)
3	+V Output	+V Output	+12 V	+V2 Output
4	No pin	No pin	+5V	+5V
5	-V Output	Common	+12V RTN	V2, V3 Common
6	No pin	No pin	+5V RTN	+5 RTN
7	N. C.	-V Output	No pin	-V3 Output

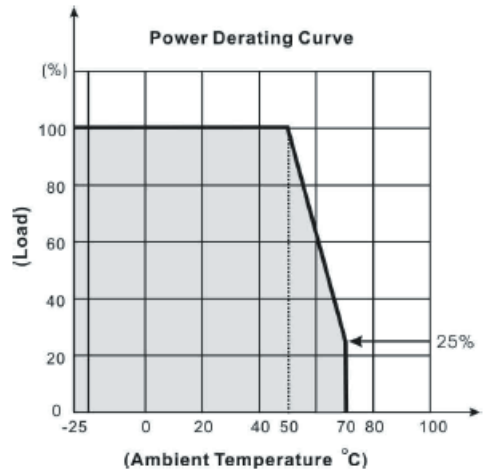
**Dimensions**



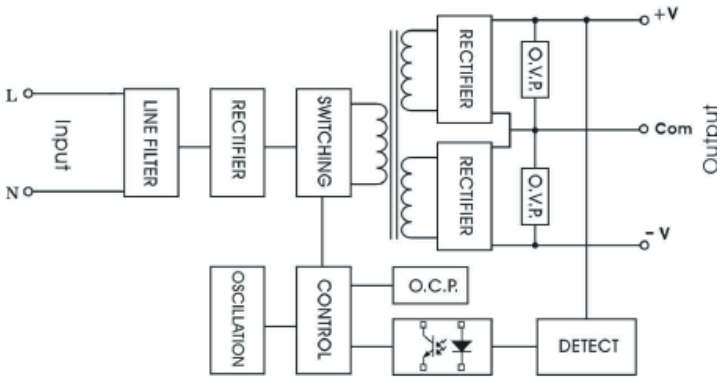
**Block diagrams**  
Single output



**Derating**



**Dual output**



**Triple output**

