

# AOYUE<sup>®</sup>

## 463+DC

Active Heating  
Soldering Station

### Instruction Manual

Thank you for purchasing the 463  
Soldering Station. Please read the  
manual before using the unit.  
Keep manual in accessible place for  
future reference.

#### Correct Disposal of this product



This marking indicates that this product should not be disposed with other household wastes throughout the EU. To prevent possible harm to the environment or human health from uncontrolled waste disposal, recycle it responsibly to promote the sustainable reuse of material resources. To return your used device, please use the return and collection systems or contact the retailer where the product was purchased. They can take this product for environmental safe recycling.

**AOYUE INTERNATIONAL LIMITED**  
Jishui Industrial Zone, Nantou, Zhongshan  
City,  
Guangdong Province, P.R.China



## CARE AND MAINTENANCE

1. **Tip Temperature :** High temperature shortens tip life and may cause thermal shock to components. Always use the lowest possible temperature when soldering.
2. **Cleaning :** Always clean the soldering tip before use to remove any residual solder or flux adhering to it.
3. **After usage:** Always clean the tip and coat it with fresh solder after use. This guards against oxidation and pro-longs tip life.
4. **System Care:** Never allow the unit to stay idle at high temperature for extended periods. Utilize the automated sleep feature to conserve energy, pro-long tip and heating element life. If unit will not be used for long periods it is advised to power down the unit and unplug from the mains.
5. **Inspecting and cleaning the tip:**
  - ◆ Set the temperature to lowest level.
  - ◆ When the temperature stabilizes, clean the tip and check its condition. If the tip is badly worn or deformed, replace it.
  - ◆ If the solder plated part of the tip is covered with black oxide, apply fresh solder containing flux and clean the tip again. Repeat until all the oxide is removed then coat the tip with fresh solder.
  - ◆ Never file the tip to remove oxide.
  - ◆ Remaining oxides such as the yellow discoloration on the tip can be removed with isopropyl alcohol.

This manual is designed to familiarize and instruct the operator with the proper operation and maintenance of the equipment. The "Care and Safety Precautions" section explains the hazards of using any type of soldering or reworking device. Please read carefully and observe the guidelines in order to maximize usage and minimize the risk of injury or accidents .

## TABLE OF CONTENTS

Product Description .....	3
Package Inclusion .....	4
Package Content.....	4-5
Product Assembly .....	6-7
Safety Precautions .....	8
Specifications .....	9
Functions and Features .....	9
Operating Guidelines.....	10
Care and Maintenance .....	11

## PRODUCT DESCRIPTION

The Aoyue 463 is a soldering iron with an active heater. Active heating systems are the latest in soldering iron technology wherein the heating element the sensor and the soldering iron tip is manufactured as a single block increasing temperature detection sensitivity, fast heat transfer and thus best in class efficiency.

This new type of soldering iron has a hot swap connector so you can easily change the tip by just pulling the tip out and pushing a different tip into the soldering iron handle.

The portable and lightweight design of the system saves precious desktop space and allows easy packing for occasions where offsite soldering is required.

## PACKAGE INCLUSION

- Main Station
- Spring Type Iron Holder (with securing screw)
- Platform
- Sponge Holder with Cleaning Sponge
- Solder Spool Stand
- User Manual

## OPERATING GUIDELINES

### **REMINDERS:**

- Make sure the equipment is placed on a flat stable surface and all the heat-generating components placed on their respective holders or stands.
- Ensure all function switches are OFF prior plugging to wall outlet.
- Ensure all terminal connections are properly secured.

### **A. INITIAL PROCEDURES**

1. Follow Assembly Guide to put together station.
2. Plug the DC adaptor to the unit. Then plug the DC adaptor to the wall socket.
3. Turn Power Switch ON.
4. The unit is now ready for use.

### **B. TEMPERATURE CONTROL**

1. Turn the power ON. LED indicator will turn red indicating it is now turned on and heating.
2. To Increase the temperature, turn the Temperature control knob clockwise. To decrease Set temperature, turn the Temperature control knob counter clockwise.
3. When temperature has been reached the LED indicator will start blinking.

## SPECIFICATIONS

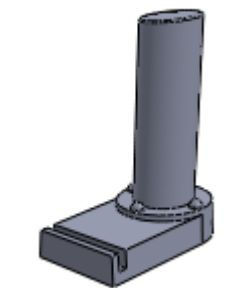
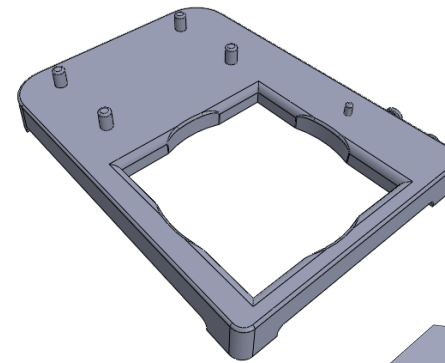
MAIN STATION	
Voltage Input :	available in 110V / 220V
Station Dimensions:	51(w) x 59 (h) x 85 (d) mm
Weight:	235 grams/ 0.5lbs
Power Consumption:	24W
Temperature Range:	150°C - 480°C 302°F- 896°F
Heating Element	Active heater

## FUNCTIONS and FEATURES

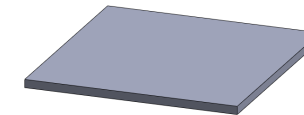
- Active heater with hot swap capability.
- Efficient active heater for fast heat recovery.
- Temperature control knob for easy adjustment.
- Portable and lightweight system.

## PACKAGE CONTENT

**Platform**

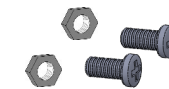
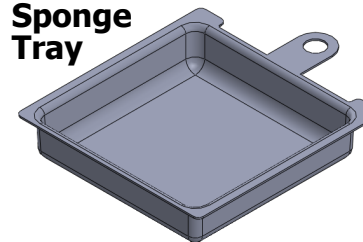


**Solder Spool Stand**



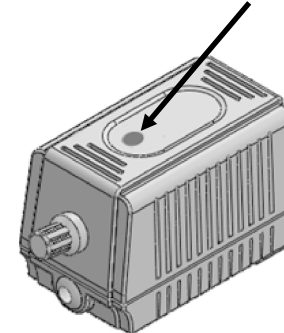
**Sponge**

**Sponge Tray**



**Nuts and Bolts**

**LED indicator**

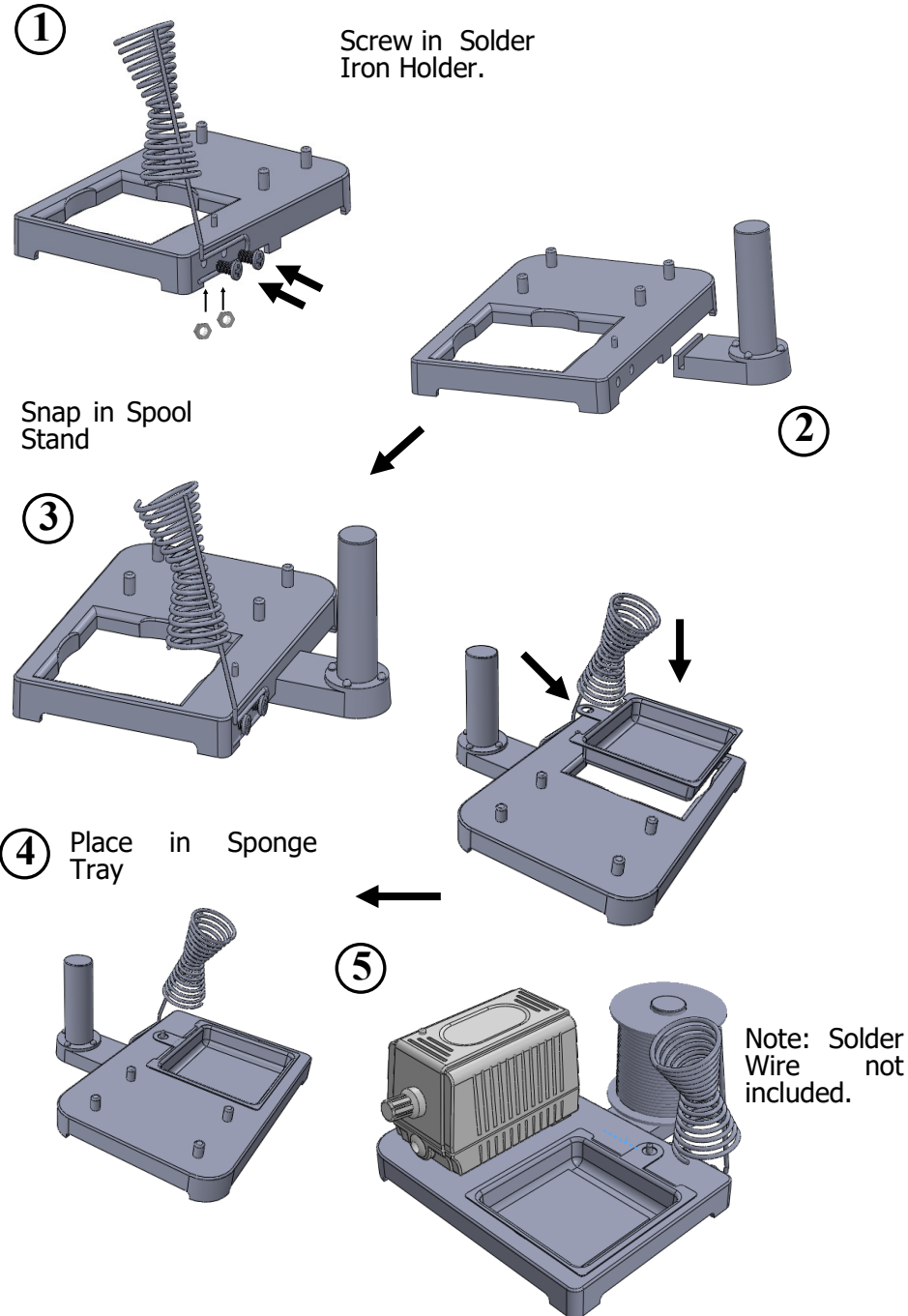


**Soldering System**



**Solder Iron Holder**

## PRODUCT ASSEMBLY



## SAFETY PRECAUTIONS



**CAUTION:** Improper usage can cause serious injury to person and/or damage to equipment and work area. For your safety, please observe the following precautions.

- Check each component after opening the package to make sure everything is in good condition. If there are any suspected damage, do not use the item and report the issue to your vendor.
- Turn OFF the main power switch and unplug the device from power source when moving the device.
- Do not strike or subject the main unit (and all its components) to physical shock. Use carefully to avoid damage to any part.
  - Never drop or sharply jolt the unit.
  - Contains delicate parts that may break if the unit is dropped.
- Make sure the equipment is always grounded. Always connect power to a grounded receptacle.
- Temperature may reach as high as 480°C when switched ON.
  - Do not use the device near flammable gases, paper and other flammable materials.
  - Do not touch heated parts, which can cause severe burns.
  - Do not touch metallic parts near the tip.
- Disconnect the plug from the power source if the unit will not be used for a long period.
  - Turn off power during breaks, if possible.
- Soldering process produces smoke, use on well ventilated places.
- Do not alter the unit, specifically the internal circuitry, in any manner. **HIGH VOLTAGE** present inside the unit. **DO NOT** attempt to service equipment.