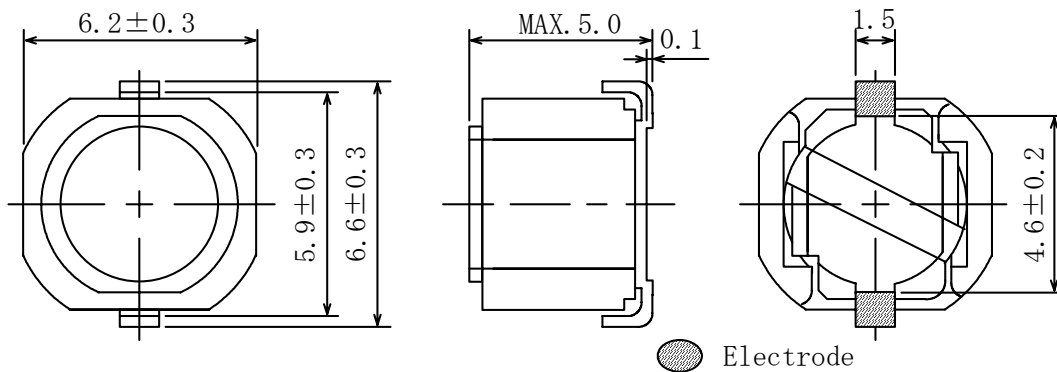
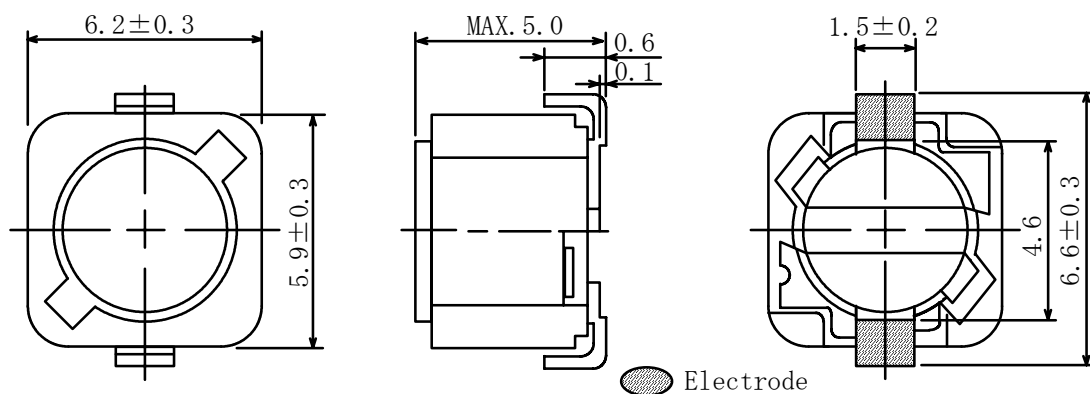


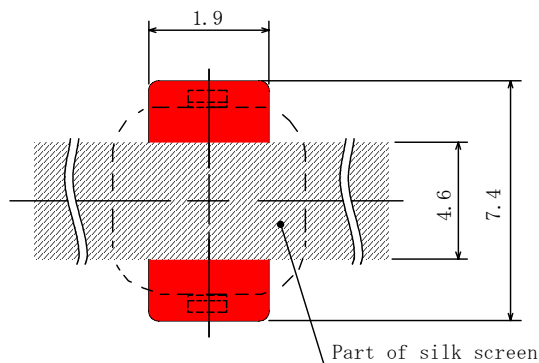
Type: CDRH64 , CDRH64B
◆ Product Description

- 6.9×6.5mm Max.(L×W), 5.0mm Max. Height.(CDRH64)
- 6.9×6.5mm Max.(L×W), 5.0mm Max. Height.(CDRH64B)
- Inductance Range: 10 μ H~1.0mH
- Rated current range:0.16~1.68A(CDRH64); 0.14~1.35A(CDRH64B).
- In addition to the standards versions shown here, custom inductors are also available to meet your exact requirements.


◆ Feature

- Magnetically shielded construction.
- Ideally used in Notebook PC ,LCD TV ,Game machine ,HDD,DSC/DVC,etc as DC-DC Converter inductors.
- RoHS Compliance.

◆ Dimensions (mm)

CDRH64

CDRH64B

Type: CDRH64, CDRH64B
◆ Land Pattern (mm)

◆ Specification(CDRH64)

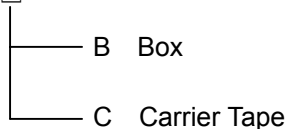
Part Name ※	Stamp	Inductance [Within] 1 kHz	D.C.R.(Ω) Max.(Typ.) (at 20°C)	Rated current (A) ※1
CDRH64NP-1 \emptyset 0M□	100	10 μ H \pm 20%	0.11(84m)	1.68
CDRH64NP-12 \emptyset M□	120	12 μ H \pm 20%	0.13(96m)	1.51
CDRH64NP-15 \emptyset M□	150	15 μ H \pm 20%	0.14(0.11)	1.32
CDRH64NP-18 \emptyset M□	180	18 μ H \pm 20%	0.16(0.12)	1.18
CDRH64NP-22 \emptyset M□	220	22 μ H \pm 20%	0.21(0.16)	1.06
CDRH64NP-27 \emptyset M□	270	27 μ H \pm 20%	0.29(0.23)	0.95
CDRH64NP-33 \emptyset M□	330	33 μ H \pm 20%	0.33(0.25)	0.88
CDRH64NP-39 \emptyset M□	390	39 μ H \pm 20%	0.35(0.27)	0.77
CDRH64NP-47 \emptyset M□	470	47 μ H \pm 20%	0.39(0.30)	0.76
CDRH64NP-56 \emptyset M□	560	56 μ H \pm 20%	0.43(0.34)	0.67
CDRH64NP-68 \emptyset M□	680	68 μ H \pm 20%	0.59(0.46)	0.60
CDRH64NP-82 \emptyset M□	820	82 μ H \pm 20%	0.66(0.51)	0.57
CDRH64NP-1 \emptyset 1M□	101	100 μ H \pm 20%	0.76(0.58)	0.50
CDRH64NP-121M□	121	120 μ H \pm 20%	0.83(0.64)	0.47
CDRH64NP-151M□	151	150 μ H \pm 20%	1.24(0.96)	0.42
CDRH64NP-181M□	181	180 μ H \pm 20%	1.89(1.51)	0.37
CDRH64NP-221M□	221	220 μ H \pm 20%	2.10(1.68)	0.34
CDRH64NP-271M□	271	270 μ H \pm 20%	2.37(1.90)	0.31
CDRH64NP-331M□	331	330 μ H \pm 20%	2.66(2.13)	0.27
CDRH64NP-391M□	391	390 μ H \pm 20%	2.94(2.35)	0.26
CDRH64NP-471M□	471	470 μ H \pm 20%	3.89(3.11)	0.24
CDRH64NP-561M□	561	560 μ H \pm 20%	5.25(4.20)	0.21
CDRH64NP-681M□	681	680 μ H \pm 20%	5.97(4.78)	0.18
CDRH64NP-821M□	821	820 μ H \pm 20%	6.54(5.23)	0.17
CDRH64NP-1 \emptyset 2M□	102	1.0 mH \pm 20%	8.94(7.15)	0.16

Type: CDRH64, CDRH64B
Specification(CDRH64B)

Part Name ※	Stamp	Inductance [Within] 1 kHz	D.C.R.(Ω) Max.(Typ.) (at 20°C)	Rated Current (A) ※1
CDRH64BNP-100M□ CDRH64BNP-120M□	100 120	10 μH ± 20% 12 μH ± 20%	0.12 (88m) 0.13 (97m)	1.35 1.20
CDRH64BNP-150M□ CDRH64BNP-180M□	150 180	15 μH ± 20% 18 μH ± 20%	0.18 (0.13) 0.24 (0.18)	1.10 1.00
CDRH64BNP-220M□ CDRH64BNP-270M□	220 270	22 μH ± 20% 27 μH ± 20%	0.27 (0.20) 0.30 (0.22)	0.91 0.82
CDRH64BNP-330M□ CDRH64BNP-390M□	330 390	33 μH ± 20% 39 μH ± 20%	0.33 (0.25) 0.37 (0.27)	0.75 0.69
CDRH64BNP-470M□ CDRH64BNP-560M□	470 560	47 μH ± 20% 56 μH ± 20%	0.52 (0.38) 0.56 (0.41)	0.62 0.58
CDRH64BNP-680M□ CDRH64BNP-820M□	680 820	68 μH ± 20% 82 μH ± 20%	0.63 (0.47) 0.71 (0.53)	0.52 0.47
CDRH64BNP-101M□ CDRH64BNP-121M□	101 121	100 μH ± 20% 120 μH ± 20%	1.03 (0.76) 1.15 (0.85)	0.43 0.39
CDRH64BNP-151M□ CDRH64BNP-181M□	151 181	150 μH ± 20% 180 μH ± 20%	1.68 (1.29) 1.87 (1.44)	0.35 0.32
CDRH64BNP-221M□ CDRH64BNP-271M□	221 271	220 μH ± 20% 270 μH ± 20%	2.08 (1.60) 2.37 (1.82)	0.29 0.26
CDRH64BNP-331M□ CDRH64BNP-391M□	331 391	330 μH ± 20% 390 μH ± 20%	2.67 (2.05) 2.94 (2.26)	0.23 0.22
CDRH64BNP-471M□ CDRH64BNP-561M□	471 561	470 μH ± 20% 560 μH ± 20%	3.93 (3.02) 5.43 (4.18)	0.20 0.18
CDRH64BNP-681M□ CDRH64BNP-821M□	681 821	680 μH ± 20% 820 μH ± 20%	7.32 (5.63) 8.24 (6.34)	0.17 0.15
CDRH64BNP-102M□	102	1 mH ± 20%	9.26 (7.13)	0.14

※ Description of part name

CDRH64BNP-100M□



※1 Rated current: The DC current at which the inductance decreases to 70%(CDRH64)or 75%(CDRH64B) of it's nominal value or when Δt=40°C, whichever is lower(Ta=20°C).