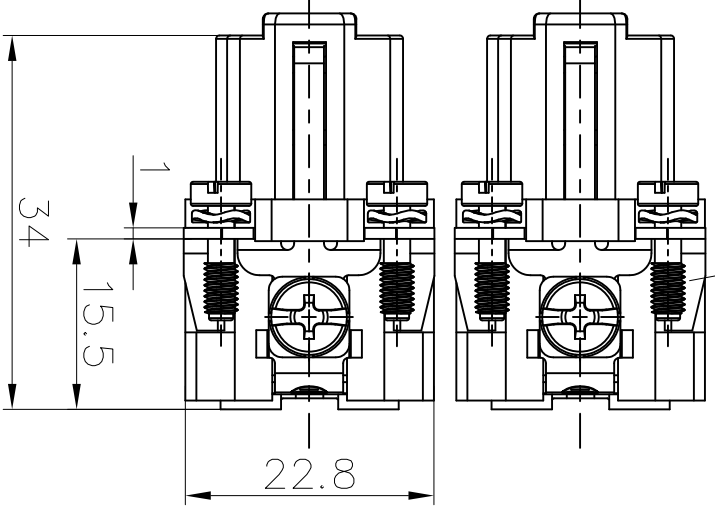
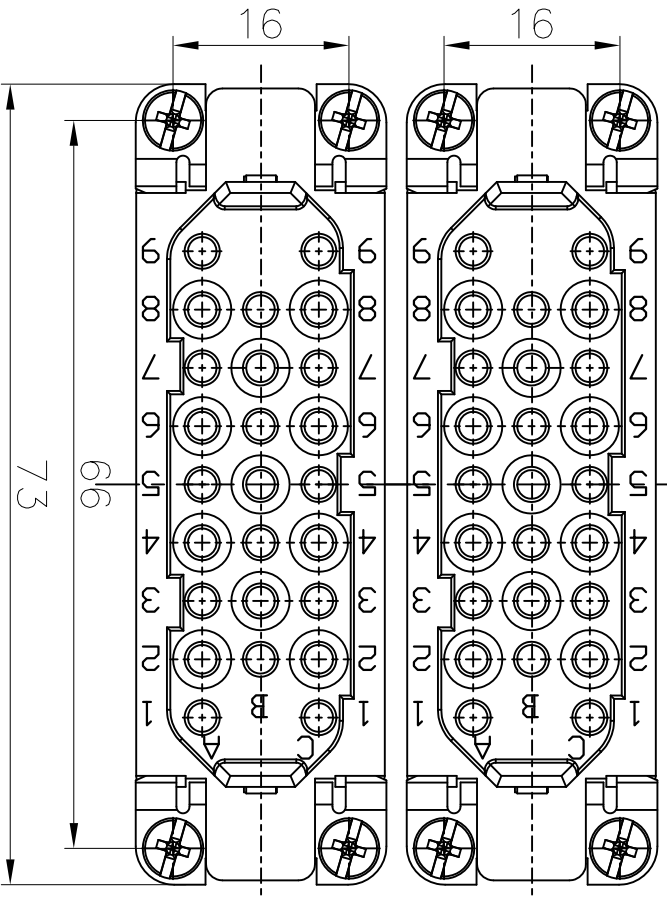
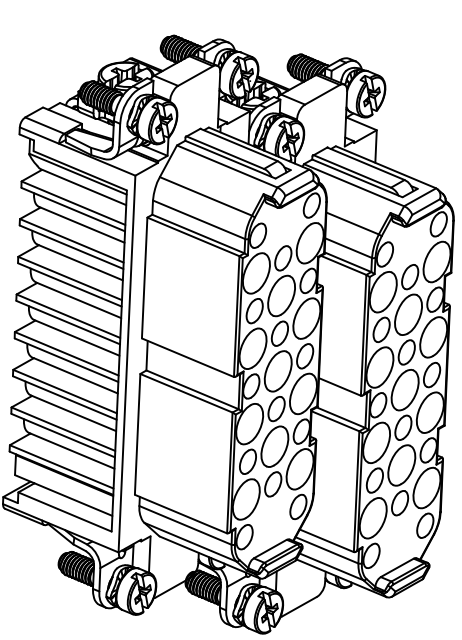


REVISION RECORD				
REV	ECN	DESCRIPTION	DRFT	DATE



M3x10

DETACHED LISTS			
PART NO.:	/	NAME:	<b>DEGSON</b> ® NINGBO DEGSON ELECTRICAL CO., LTD 宁波高松电子有限公司
APPD:		DD-050-FC(2X25)	
CHKD:		TITLE: CUSTOMER DRAWING	REV DO
DRFT:		DRAWING NO.:	SHEET 1/1
		DO NOT SCALE DRAWING	SCALE 1.5:1

A 8 7 6 5 4 3 2 1