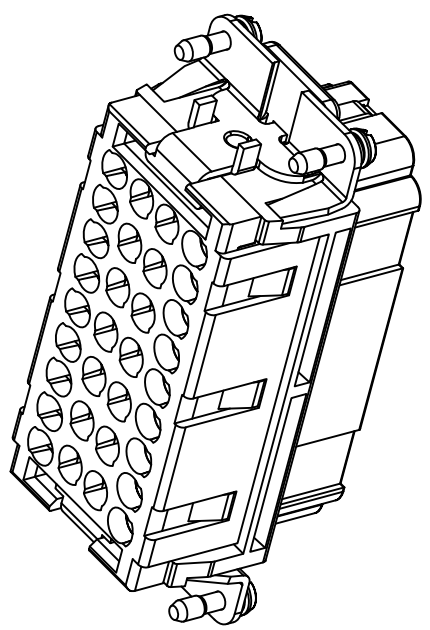
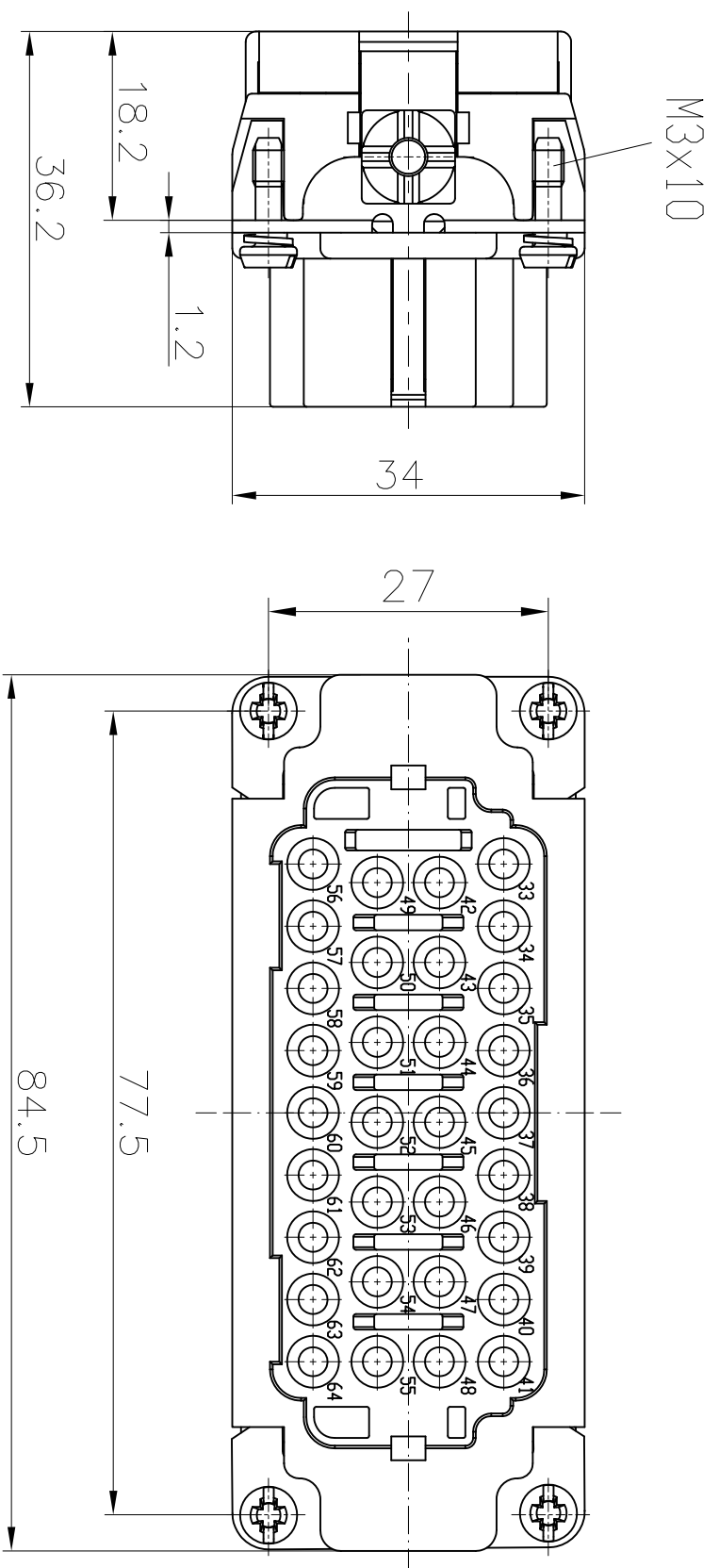


REVISION RECORD				
REV	ECN	DESCRIPTION	DRFT	DATE



DETACHED LISTS			
PART NO.:	/	NAME:	DEGSON 宁波高松电子有限公司 NINGBO DEGSON ELECTRICAL CO., LTD
APPD.:		CHKD.:	DEE-064-FC(33-64)
DRFT.:		TITLE:	CUSTOMER DRAWING
		DRAWING NO.:	/
		DO NOT SCALE DRAWING	SCALE
		THIRD ANGLE PROJECTION	1.5:1

A 8 7 6 5 4 3 2 1