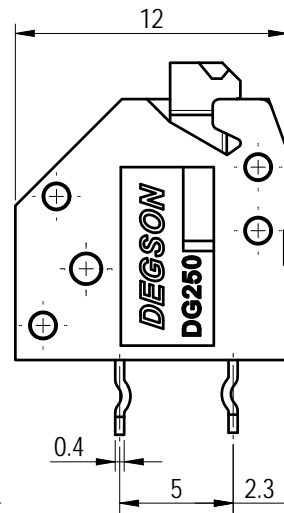
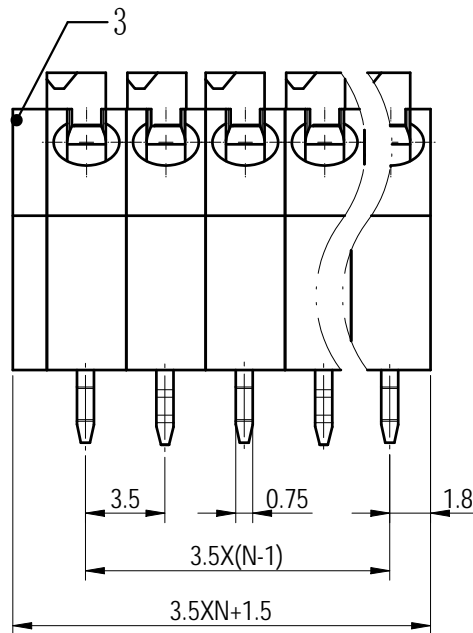
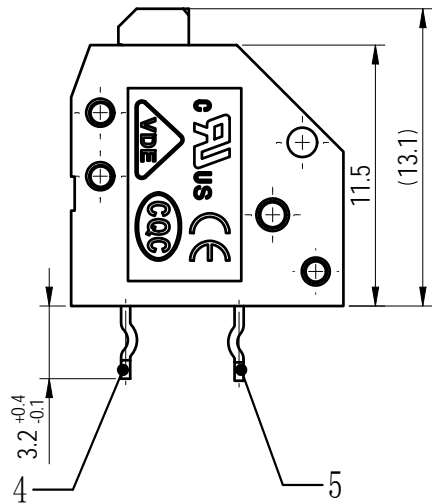
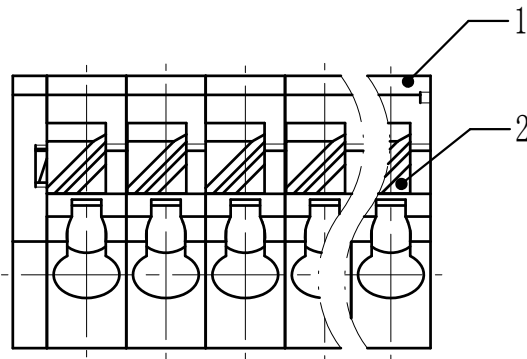
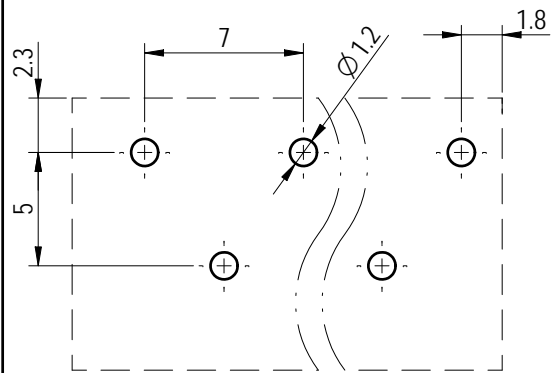
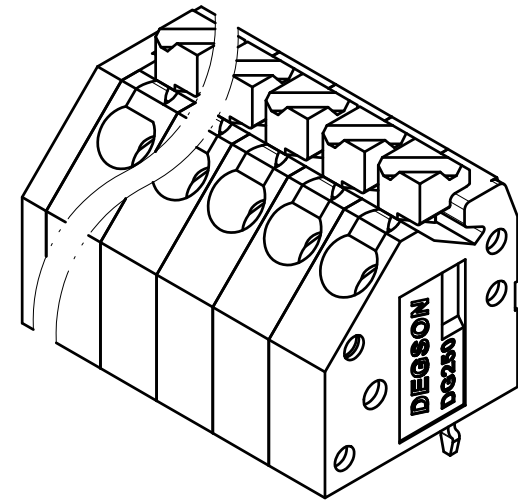


PCB LAYOUT



未注公差/General tolerances (mm)												0.1/10		
0	>3	>6	>10	>18	>30	>50	>80	>120	>180	>250	>315		>400	>500
±0.12	±0.18	±0.22	±0.26	±0.31	±0.37	±0.57	±0.80	±0.93	±1.05	±1.15	±1.60	±2.20	±2.50	±2'



Note:
The A&Z(H) in the name means: A(H) and Z(H).

ITEM	NAME OF PART	MATERIAL	NOTES
5	Small Pin header	Copper alloy	Sn plated
4	Big Pin header	Copper alloy	Sn plated
3	Cover	PA66	UL94V-0
2	Button	PA66	UL94V-0
1	Housing	PA66	UL94V-0

UL 标准/UL Standard:		B	C	D
额定电压/电流/Rated Voltage(V)/Current(A)		300/8	/	300/8
IEC 标准/IEC Standard:				
过压类别/Overvoltage Category/污染等级/Pollution Degree		III/3	III/2	II/2
额定电压/电流/Rated Voltage(V)/Current(A)		/	450/5	/
工频耐压/Withstanding voltage(V/1Min)		AC2500		
线径范围(硬线和软线)/Wire Range(rigid and flexible)(AWG/mm²)		22~16 / 0.2~0.75		
间距/Pitch(mm)/线数范围/Poles		3.5/N=02~24P		
剥线长度/Stripping length(mm)		8.5~9.5		
使用温度范围/Operating temperature(°C)		-40~+105		
符合RoHS环保要求/Conform to RoHS		Yes		



MATERIAL:	SURFACE/COLOR:
MAT NO./REV:	MAT STATUS: 批量

APPD: 兰春华	2022.09.05
CHKD: 陈招	2022.09.05
DRFT: 龚徐涛	2022.09.02

NAME		DG250-3.5-XXP-1Y-00A&Z(H).		
DRAWING NO.	TYPE	DRAWING STATUS	SCALE	SHEET
200029000	CUSTOMER DRAWING	已发布	3:1	1/1

00	REV	ECN	DESCRIPTION	DRFT	DATE	龚徐涛	2022.09.02
00	REV	ECN	DESCRIPTION	DRFT	DATE	龚徐涛	2022.09.02

Transfer or duplication of this document as well as the utilization or communication of its contents are prohibited unless authorized in writing by DEGSON. All rights reserved for patent, utility model or design registrations. 除专利、实用新型、外观设计、软件著作权、商标、印刷、光磁等文件外，本公司保留对涉及发明、实用新型及外观设计的所有权利。