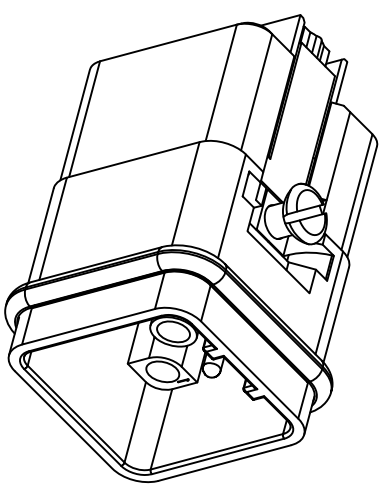
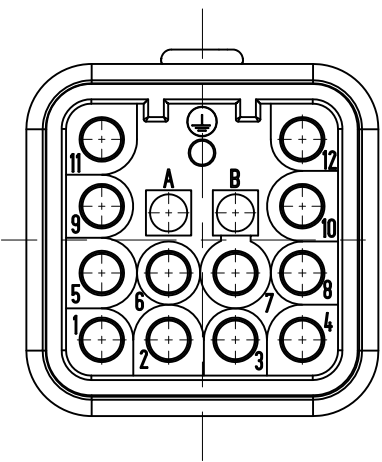
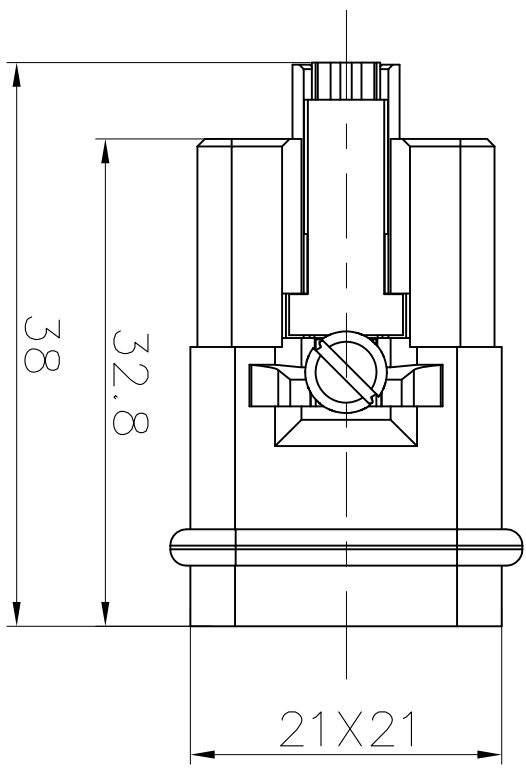


REVISION RECORD				
REV	ECN	DESCRIPTION	DRFT	DATE



A 8 7 6 5 4 3 2 1

DETACHED LISTS			
PART NO.:	/	NAME:	DEGSON 宁波高松电子有限公司 NINGBO DEGSON ELECTRICAL CO., LTD
APPD:		DRFT:	DQ-012-MC
CHKD:		TITLE:	CUSTOMER DRAWING
THIRD ANGLE PROJECTION		DRAWING NO.:	/
		DO NOT SCALE DRAWING	SCALE
			2:1
		REV	DO
		SHEET	1/1

H G F E D C B A