



Products' Catalogue

2 MYLAR SPEAKER

- 4 Φ 15 mm
- 4 Φ 20 mm
- 4 Φ 21 mm
- 4 Φ 23 mm
- 4 Φ 26 mm
- 4 Φ 27 mm
- 4 Φ 28 mm
- 4 Φ 29 mm
- 4 Φ 30 mm
- 4 Φ 32 mm
- 4 Φ 36 mm
- 4 Φ 40 mm
- 4 Φ 44 mm
- 4 Φ 45 mm
- 4 Φ 50 mm
- 4 Φ 57 mm

2 EARPHONE SPEAKER

2 LOUDSPEAKER

2 HI-FI SPEAKER

2 CAR SPEAKER

2 HORN SPEAKER

2 PIEZO CERAMIC
TRANSDUCER

2 ELECTRO-MAGNETIC
TRANSDUCER

2 RECEIVER

2 MICROPHONE

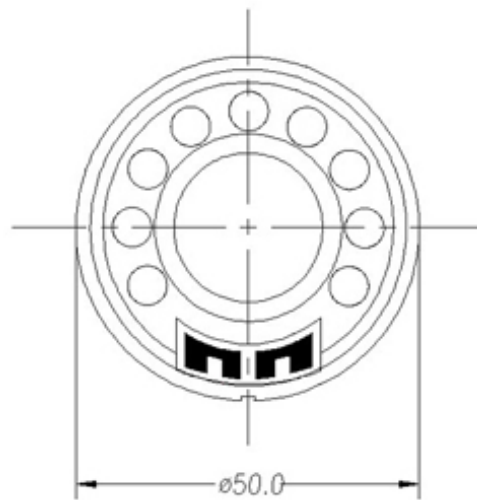
2 AUDIO EARPHONE

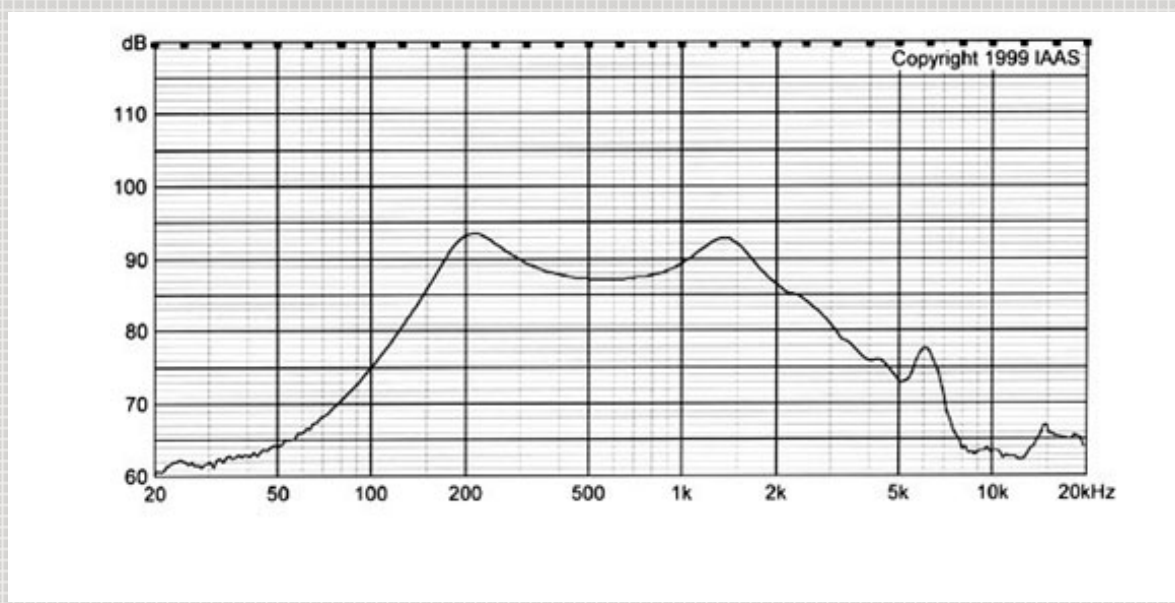


Search:

Type:DXI50N - A

Type	Unit	DXI50N - A
Rated Impedance	Ω	8 , 16 , 32
Rated Power	W	0.5
Max Power	W	0.8
Resonance Frequency	Hz	150
Rated Freq. Range	Hz	200 ~ 5000
Sound Pressure Level	dB	85±2 , 80±2 , 78±2
Crust		Iron
Height	mm	5.2 , 7.0 , 7.2





© 2003 Changzhou Duoxing Electronics Co.,LTD. Copyright