

力英電子股份有限公司



作業指導書

53



客戶：RCS(烏克蘭)

料號：LRESEF-25N27

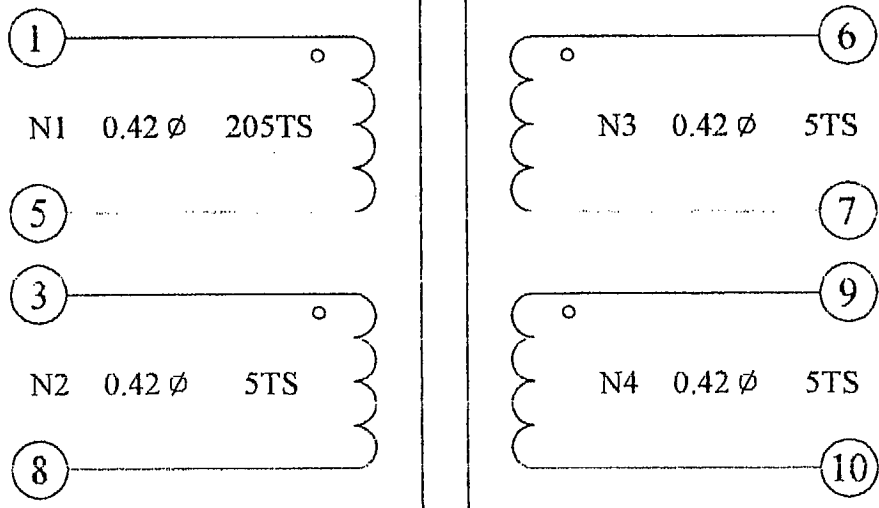
(E04-02253122-00)

項次	日期	更改內容	版次	承辦	核准
1.	95.09.28.	新訂版	A		
2.	95.10.02.	新增 PIN 長	A		

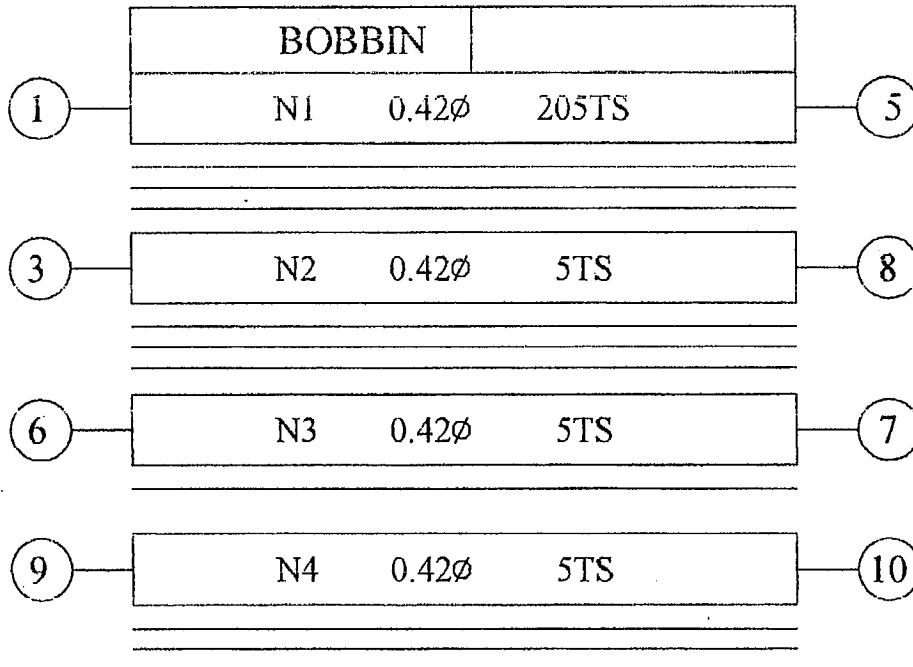
分發單位：

單位	資材部	製造部	業務部	工程部	品保部
份數		1	1		1
簽收					

1. SCHEMATICS.



2. WINDING SEQUENCE.



CUSTOMER: RCS (烏克蘭)		APPROVED BY:	
PART NO.: LRESEF-25N27 (E04-02253122-00)		ISSUE: A	CHECKED BY:
		DATE: 2006-09-30	DRAWN BY: 黃婷
		力英電子股份有限公司 LI TONE ELECTRONICS CO., LTD. 臺北縣三峽鎮介壽路1段311巷29號 NO. 29, LANE 311, JIE SOU RU., SEC 1, SANHSIA TOWAN TAIPEI HSIEN, TAIWAN R. O. C.	
		TEL:	(020) 2673 - 2512 - 6
		FAX:	886 - 2 - 26710294 886 - 2 - 26736329

交換: ① pin長標注. ② 電路圖 N4 腳位標注.

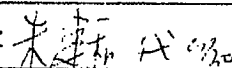
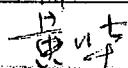

3.MATERIAL LIST.

NO/ITEM	MATERIAL	MAKER
1.CORE	EF-25 FERRITE CORE PC40. 3C90	TDK.FORROXCUBE.
2.BOBBIN	EF-25 TYPE W/10PINS. PET/UL94V-0 SW-25T	CHANG CHUN PLASTICS CO.,LTD. UL NO.E59481. SWARM BOBBIN ENTERPRISE CO.,LTD.
3.WIRE	2UEW/130°C.	PACIFIC ELECTRIC WIRE & CABLE CO.LTD. UL NO.E84081.
4.TAPE	POLYESTER TAPE #1350F-1	MINNESOTA MINING & MFG.CO.(3M). UL NO.E17385.
5.VARNISH	BC-546A.	JOHN C DOLPH CO. UL NO.E51047(M)
6.SOLDER	PURE TIN/Pb<100ppm 2HAO.2LF30	WELLEY SOLDER CO.,LTD.

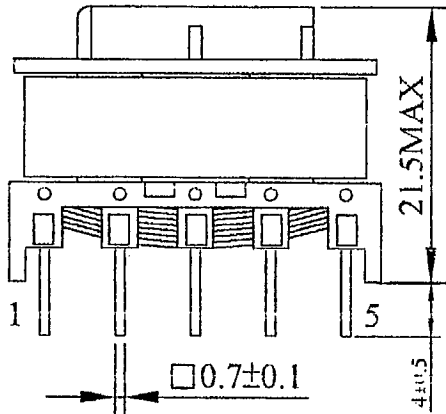
* ROHS COMPLIANT.(無鉛制程)

4.ELECTRICAL SPECIFICATIONS .

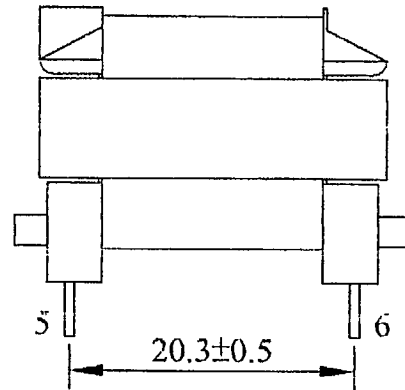
- 4-1.INDUCTANCE. P(1-5) 3.1mH±10% @ 1KHZ 0.25V BY HP-4284A.
- 4-2.D.C. RESISTANCE. P(1-5) 2.0 OHM MAX. BY GOM-801G.
- 4-3.INSULATION RESISTANCE.WDG TO WDG AND WDG TO CORE BY 500V 100M Ω MIN.
- 4-4.HI-POT TEST. PRI TO SEC BY 3.0 KV /1SEC @5mA .BY GPI-5005T.
PRI TO CORE BY 1.5 KV /1SEC @5mA .
SEC TO CORE BY 1.5 KV /1SEC @5mA .

CUSTOMER: RCS (烏克蘭)		APPROVED BY: 	
PART NO. LRESEF-25N27 (E04-02253122-00)	ISSUE: A	CHECKED BY: 	
DATE: 2006-09-30		DRAWN BY: 黃婷	
		力英電子股份有限公司 LI TONE ELECTRONICS CO., LTD. 臺北縣三峽鎮介壽路1段311巷29號 NO. 29, LANE 311, JIE SOU RU., SEC 1, SANHSIA TOWAN TAIPEI HSIEN, TAIWAN R. O. C.	
		TEL: (020) 2673 - 2512 - 6	FAX: 886 - 2 - 26710294 886 - 2 - 26736329

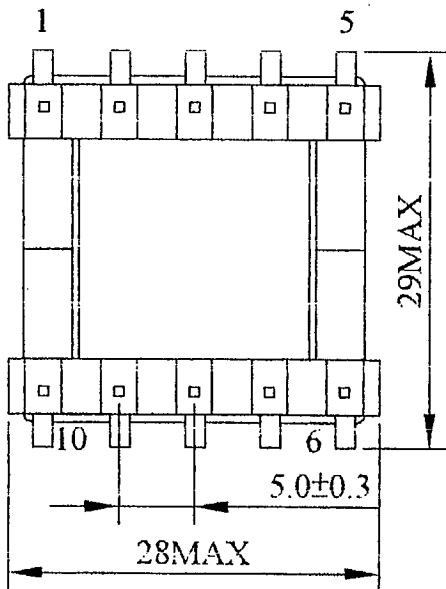
5. CONFIGURATION & DIMENSION (UNIT: mm)



(FRONT VIEW)




(SIDE VIEW)



(BOTTOM VIEW)

*捺印P(1-5)側

LRESEF-25N27
LTE YYWW

CUSTOMER: RCS (烏克蘭)		APPROVED BY: <i>天新代 9/30</i>	
PART NO. LRESEF-25N27 (E04-02253122-00)		ISSUE: A	CHECKED BY: <i>黃婷</i>
DATE: 2006-09-30		DRAWN BY: 黃婷	
		力英電子股份有限公司 LI TONE ELECTRONICS CO., LTD. 臺北縣三峽鎮介壽路1段311巷29號 NO. 29, LANE 311, JIE SOU RU., SEC 1, SANHSIA TOWAN TAIPEI HSIEN, TAIWAN R. O. C.	
		TEL: (020) 2673-2512-6 FAX: 886-2-26710294 886-2-26736329	