



16mm Rotary Type Encoders

ED1612



Part Number

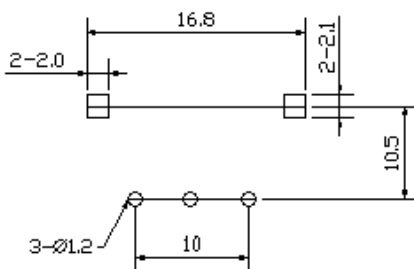
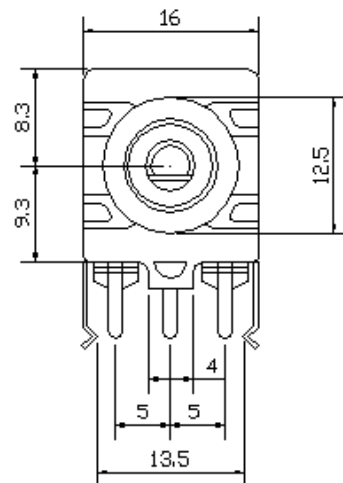
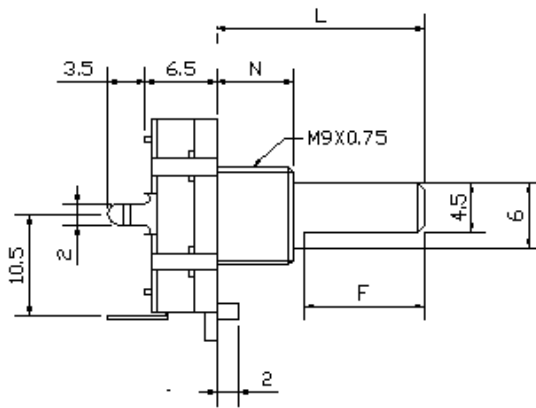
ED1612 - 24 - 24 LC - 20 F

↓ Clicks ↓ Pulses ↓ Rotary Feeling ↓ Shaft Length ↓ Shaft Type

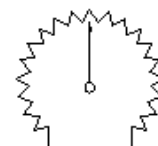
Dimensions

Available Clicks	0 clicks		12 clicks	24 clicks
Available Pulses	12 pulses	24 pulses	12 pulses	24 pulses

Rotary Feeling	LC	HC	LLC
	Standard feeling	Heavy feeling	Light feeling



L	15	20	25
N	5	7	7
F	7	12	12





16mm Rotary Type Encoders

1.PUSH-ON SWITCH SPECIFICATIONS

Switch Circuit	Single Pole and Single Throw (push on)
Switch Travel (mm)	0.5 ^{+0.4} / _{-0.3} mm
Switch Operating Force	360 ⁺¹⁵³ / ₋₁₀₂ gf. Cm
Switch Rating Power	DC 5V 10mA (minimum ratings:DC 5V 1mA)
Switch Contact Resistance	First period : 100mΩ 200mΩafter the end of useful life is reached
Switch Push Life	20,000 Cycles. In The encoder shall be rotated to 20,000 cycles at a speed of 600 cycles /H without electrical load. The measurement is done at 5000 cycles (shaft push load:1kgf)

2.Electrical Characteristics

Power Rating	DC 5V 0.5mA
Insulation Resistance	More than 10 MΩ a t DC 50V 1 Minute
Withstand Voltage	1 Minute at AC 50V
Sliding Noise	T2≤2mS (Test conditions:360°/S)
Resolution	□12 □24
Phase Difference	□ΔT=0.15±0.1T □ΔT=0.25±0.1T □ΔT=0.2±0.1T
Output Signal and Rotational Direction	<p>A Signal OFF ON</p> <p>B Signal OFF ON</p> <p>C.W direction</p>
Working Temperature	-10°C ~ 70°C
Storage Temperature	-40°C ~ 85°C

3.Mechanical Characteristics

TOTAL ROTATIONAL ANGLE	360 °
Rotational Torque	30~90 gf.cm
Shaft Push-Pull Strength	□ With switch 5.1 Kgf. □ on without switch 10 Kgf.
Number and Position Detent	□ 12detents (Stepangle:30°±3°) □ 24detents (Stepangle:15°±3°)
Rotational Life	30,000 Cycles Min. The shaft of encoder shall be rotated to 30,000 cycles at a speed of 600 cycles/H without electrical, after which measurements shall be made.
Resistance To soldering Heat	Manual Soldering: Less than 300°C and quicker than 3 seconds.

NOTE:When the products without switch, the above one items must be cancelled.