

Primary Lithium Battery Technology Specification

Customer _____

Part name Primary Lithium Battery

Model No ER34615 19000mAh 3.6V

Serial No _____

Produce No _____

| | | | |
|--------------------|--|-------------------|--------------|
| Approved by | | Drafted by | Xiaojun Nie |
| Checked by | | Signed by | Wenfei liang |
| Prepared by | | Date | 2021-03-12 |

Company address: 4th Building,Meitai Technology Park,Guanguang
Road,Longhua,Shenzhen,China

(Tel) : +86-755-86670672

(Fax) : +86-755-86670609

E-mail: sale5@pkcell.net sale5@pkcell.net

Website: <http://www.pkcell.net> <http://www.pkcell.com>

1.Scope

This specification is applied to the reference battery in this Specification and manufactured by ShenZhen PKCELL Battery Co., Ltd.

2.Product Specification (23±2°C)

| No. | Item | General Parameter | Remark |
|-----|--------------------------------|---------------------------------|---|
| 1 | Nominal Capacity | 19000mAh | Discharge at 2mA to 2.0V |
| 2 | Rated Voltage | 3.6V | Mean Operation Voltage |
| 3 | Max Constant Discharge Current | 230mA | — |
| 4 | Max Pulse Discharge Current | 400mA | — |
| 6 | Operating temperature range | -55~85°C | — |
| 7 | Avaliable Terminations | S :Standard Terminations | Special Termination are avaliable upon request ⁻³⁻ |
| | | T : Solder Tabs | |
| | | P :Axial Pins | |

3. Benefits

- High energy density, High voltage, stable during most of the application's lifetime
- Wide range of operating temperature
- Long self-dischager rate (≤1% per year during Storage)
- Long storage life (10 years under room temperature)

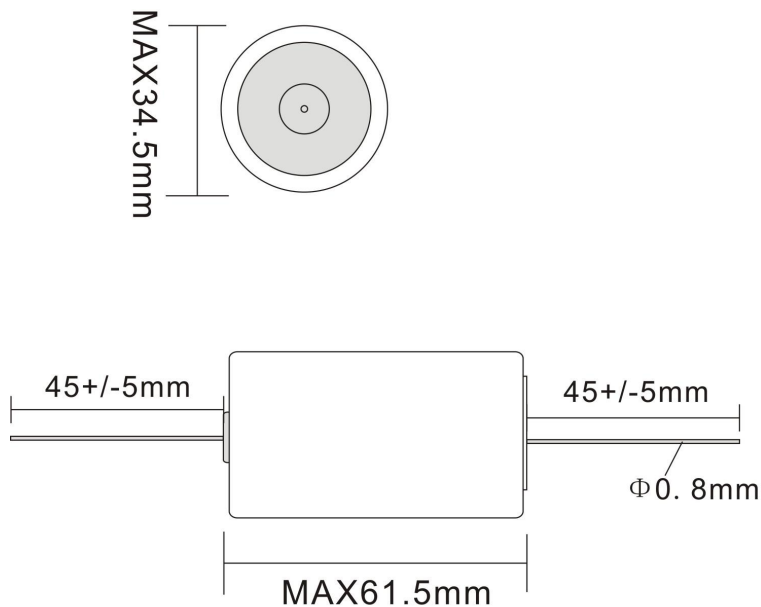
4. Main application

- Intelligent instrument and meter
- Memory and standby power, Alarms and security devices
- Automotive electronics, Electronic toll collection
- Military devices

5. Warning

- Fire, explosion and burn hazard.
- Do not recharge, short circuit, crush, disassemble, heat above 100°C incinerate.
- Do not use the battery beyond the permitted temperature range.

6. Dimension:



- 4 -

.....END.....