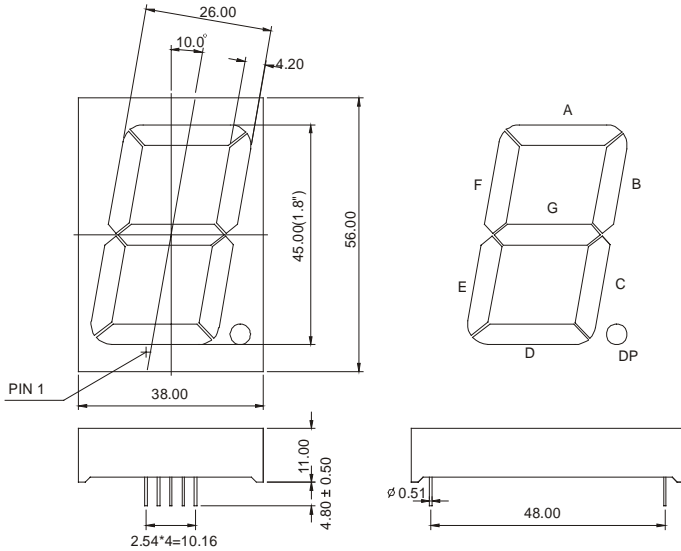
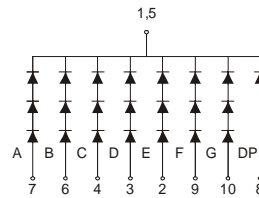


GNS-18011Ax-Bx-Cx-Dx (SINGLE DIGIT LED DISPLAY)

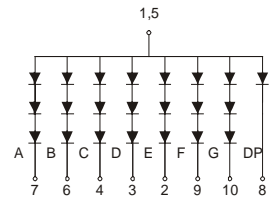
GNS-18011 series



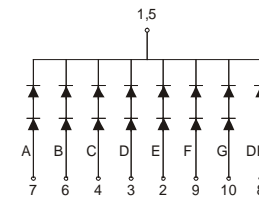
GNS-18011Ax



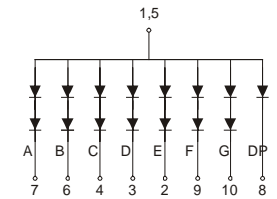
GNS-18011Bx



GNS-18011Cx



GNS-18011Dx



Features:

*1.8 INCH HIGH CHARACTER.

*EXCELLENT CHARACTER APPEARANCE.

*COMMON CATHODE OR COMMON ANODE.

*I.C. COMPATIBLE.

*LOW POWER CONSUMPTION.

Part Number	EMITTED COLOR		Common Cathode or Common Anode	Peak Wavelength (nm)	Vf (v) Typ	If (mA)	Intensity Per Segment (mcd)	
							Min.	Typ.
GNS-18011AE	GaAsP/GaP	Hi.effi Red	Common Cathode	635	2.0	20	27	36
GNS-18011AG	GaP	Green		565	2.1	20	24	33
GNS-18011AY	GaAsP/GaP	Yellow		585	2.0	20	27	36
GNS-18011AS	GaAlAs	Super Red		660	1.8	20	30	39
GNS-18011AD	GaAlAs	Ultra Red		660	1.8	20	75	90
GNS-18011AUE	AlGaInP	Ultra Red		625	2.0	20	90	105
GNS-18011AUY	AlGaInP	Ultra Yellow		590	2.0	20	90	105
GNS-18011BE	GaAsP/GaP	Hi.effi Red	Common Anode	635	2.0	20	27	36
GNS-18011BG	Gap	Green		565	2.1	20	24	33
GNS-18011BY	GaAsP/GaP	Yellow		585	2.0	20	27	36
GNS-18011BS	GaAlAs	Super Red		660	1.8	20	30	39
GNS-18011BD	GaAlAs	Super Red		660	1.8	20	75	90
GNS-18011BUE	AlGaInP	Ultra Red		625	2.0	20	90	105
GNS-18011BUY	AlGaInP	Ultra Yellow		590	2.0	20	90	105

GNS-18011CE	GaAsP/GaP	Hi.effi Red	Common Cathode	635	2.0	20	27	36
GNS-18011CG	GaP	Green		565	2.1	20	24	33
GNS-18011CY	GaAsP/GaP	Yellow		585	2.0	20	27	36
GNS-18011CS	GaAlAs	Super Red		660	1.8	20	30	39
GNS-18011CD	GaAlAs	Ultra Red		660	1.8	20	75	90
GNS-18011CUE	AlGaInP	Ultra Red		625	2.0	20	90	105
GNS-18011CUY	AlGaInP	Ultra Yellow		590	2.0	20	90	105
GNS-18011DE	GaAsP/GaP	Hi.effi Red	Common Anode	635	2.0	20	27	36
GNS-18011DG	Gap	Green		565	2.1	20	24	33
GNS-18011DY	GaAsP/GaP	Yellow		585	2.0	20	27	36
GNS-18011DS	GaAlAs	Super Red		660	1.8	20	30	39
GNS-18011DD	GaAlAs	Super Red		660	1.8	20	75	90
GNS-18011DUE	AlGaInP	Ultra Red		625	2.0	20	90	105
GNS-18011DUY	AlGaInP	Ultra Yellow		590	2.0	20	90	105