

The machine should be installed by the professional personnel. There is high voltage within the machine. Non-professionals should not open the machine alone. Besides, the machine should be installed in a dry, good-ventilated environment. The air inlet should not be blocked, and be kept at more than 20cm away from the wall. The machine should be kept away from a high-temperature, damp, inflammable and corrosive environment. Use the dry cloth to clean the machine and avoid inflow of water.

1、 The load power should avoid exceeding the machine's rated load. The red binding post of the machine is positive. The black binding post is negative. Please connect them to the accumulator correctly and avoid mixing them.

2、 Before connecting the machine with the power supply, please put the switch to the "OFF" position. The power supply must use the accumulator, solar power system, stable DC, etc. Before connecting the power, please confirm whether the normal input DC of the machine is in line with the DC voltage so as to avoid exceeding the voltage limit of the machine.

3、 The machine adopts the off-network inverter. AC input should not be connected with other power (such as DC). Before use, the shell should be connected with the ground. If not use, the machine should be turned off to avoid too much no-load loss.

4、 The machine in the charge automatic switchover system is inbuilt with the DC bypass function. Please correctly connect the AC to the AC input end. The charge lamp is red. When it is fully charged, it turns to green.

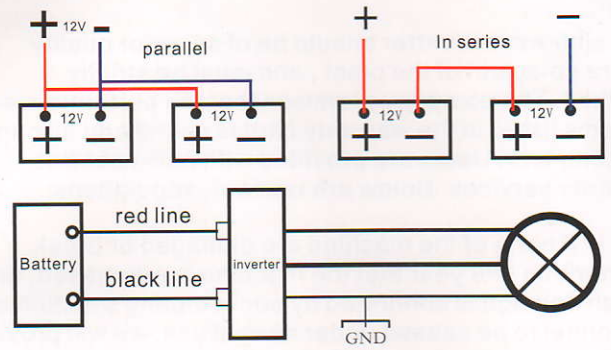
5、 The AC complementary series machine is inbuilt with the AC bypass function. Please connect the AC correctly.

6、 Please carefully read the above instructions on correct installation. Should you have any questions, please consult our after-sales service personnel. If you do not follow the above installation steps, you might cause personal injury or damage of the machine or equipment.

7、 Introduction of protection functions: 1) Under-voltage protection (UVP): When the accumulator is in the under-voltage status, the

machine stops output, and the buzzer and indicator work simultaneously. 2) Over-voltage protection (OVP): When the accumulator's voltage is higher than the machine's range of nominal voltage, the machine will stop output, and the buzzer and indicator work simultaneously. 3) Overload protection (OLP): When the load power is higher than the machine's rated power, the machine stops output, and the buzzer and indicator work simultaneously. 4) Overheat protection: When the internal temperature of the machine is higher than 75°C, the machine stops output, and the buzzer and the indicator work simultaneously. 5) Short-circuit protection (SCP): When the output is in short circuit, the machine is turned off, and the buzzer and indicator work simultaneously. 6) Anti-reverse connection protection: When the positive and negative poles of the input end are reversely connected, the diode will burn off the fuse to protect the machine. A new fuse is required. The wrong input end of DC with MOS anti-reverse connection function will not work. After correction, it can work normally. 7) Air cooling control: When the internal temperature of the machine reaches around 45°C, the cooling fan will be started to achieve forced cooling.

8、 Illustration of the accumulator connection mode:



9、 Temperature characteristics :

Storage Tem Perature	-30~+80°C
Working Tem Perature	-20~+50°C
Cooling Way	Fan cooling

After-sales service card

The sine wave inverter should be of superior quality before going out of the plant, and must be strictly checked. The company promises that the performance of all items listed in the warranty card is sound and all parts are complete. Users are provided with one-year free warranty services. Below are warranty regulations:

(一) If parts of the machine are damaged or break down within one year that the machine is purchased, and if such damage is confirmed by our company's technical personnel to be caused under normal use, we will provide free repair and exchange of parts. The damages parts belong to our company.

(二) Under the following conditions, the warranty is automatically invalid:

- 1、 If our company's trademark is changed;
- 2、 If the damage is caused by wrong operations, negligence and force majeure forces;
- 3、 If the machine number of seal is eliminated, altered or obliterated not by our company's technical personnel;
- 4、 If the machine is installed not according to our installation instructions.

(三) Please keep the warranty card, and show it to the technical personnel before repair.
