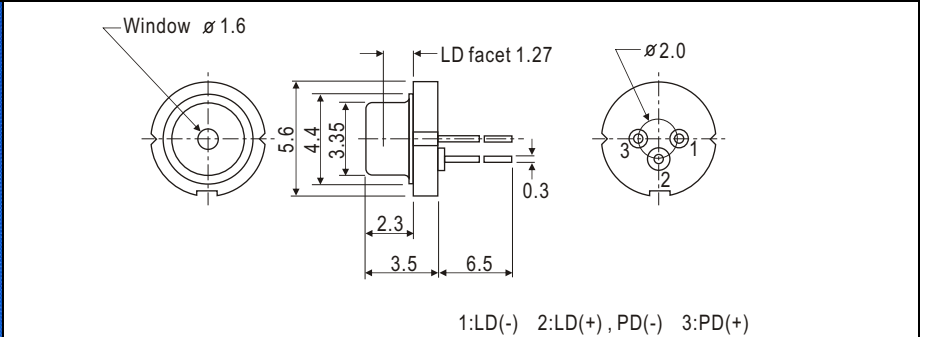
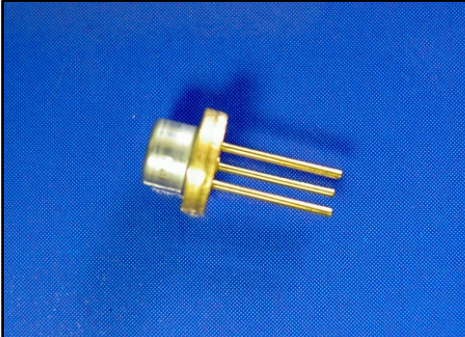


Laser Products

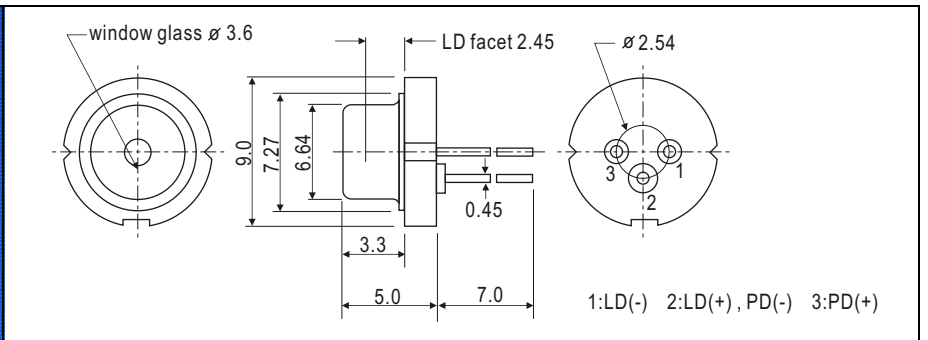
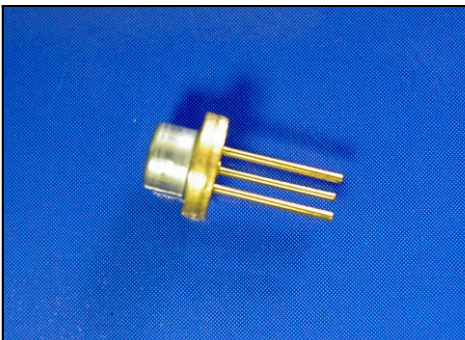
Laser Diode

Ta=25°C

Device No	Package	Operating temperature	Output power	Operating current	Monitor current	Laser wavelength	Beam divergence
		Topr	Po	Iop	Im	λp	$\theta // / \theta \perp$
		°C	mW	mA	mA	nm	deg



standard	HLDD-650-A-7-01 (for DVD pickup header)	TO-18	-10~+70	7	25	0.2	650	8/28
	HLDP-635-A-5-01	TO-18	-10~+40	5	35	0.1	635	7.5/33
	HLDP-650-A-5-01	TO-18	-10~+50	5	35	0.15	650	8/28
	HLDP-650-A-5-02	TO-18	-10~+50	5	35	0.15	650	8/28
	HLDH-650-A-10-01	TO-18	-10~+50	10	26	0.3	650	9/28
	HLDP-780-A-3-01	TO-18	-10~+70	3	45	0.1	780	10/35



high power	HLDH-660-A-20-01	TO-18	-10~+60	20	80	0.15	650	8/16
	HLDH-660-A-50-01	TO-18	-10~+30	50	90	0.15	658	9/19
	HLDH-780-A-90-01 (for CD player)	TO-18	-10~+70	100	115	-	785	9/17
	HLDH-808-B-200-01	TO-18	-10~+40	200	260	-	808	9/41
	HLDH-808-B-500-01	TO-5	0~+40	500	< 1500	-	808	5.5/32
	HLDH-808-B-1000-01	TO-5	0~+40	1000	< 2000	-	808	5.5/32