

SMA Connector Series

KLS1-SMA005 SMA Connector Series

Electrical Specifications

Impedance: 50 Ω

Frequency Range :0-6 GHz

Voltage Rating : 335 volts rms.Dielectric

Withstanding Voltage : 500 volts rms. VSWR :

1.15 +0 .02 f (GHz) for Straight connector typical

1.25 +0 .025 f (GHz) for Right angle connector typical

Contact Resistance: Center contact: 2.0 mΩ

Body: 2.0 mΩ

Insulation Resistance: 5,000 MΩ

Mechanical Specifications

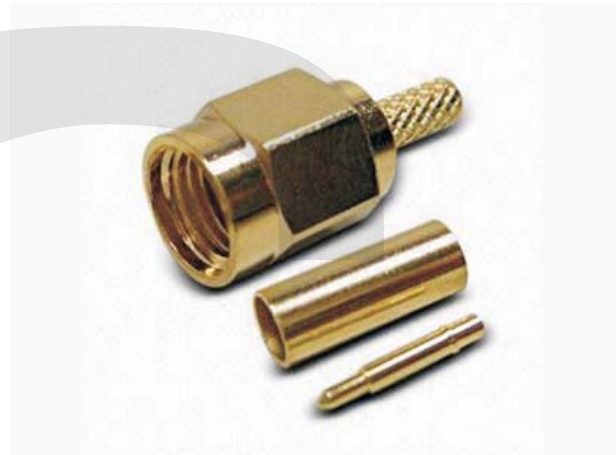
Mating: 1/4"-36 UNS thread coupling

Cable retention:6kgf typical

Durability:500Cycles Min.

Coupling nut retention:18kgf Min.

Temperature Range: - 55°C to +155°C



Material

Connector body: Brass per QQ-B-626 ,gold Plating or nickel

Center contact Male: Brass,gold Plating

Center contact Female: Beryllium copper,gold Plating

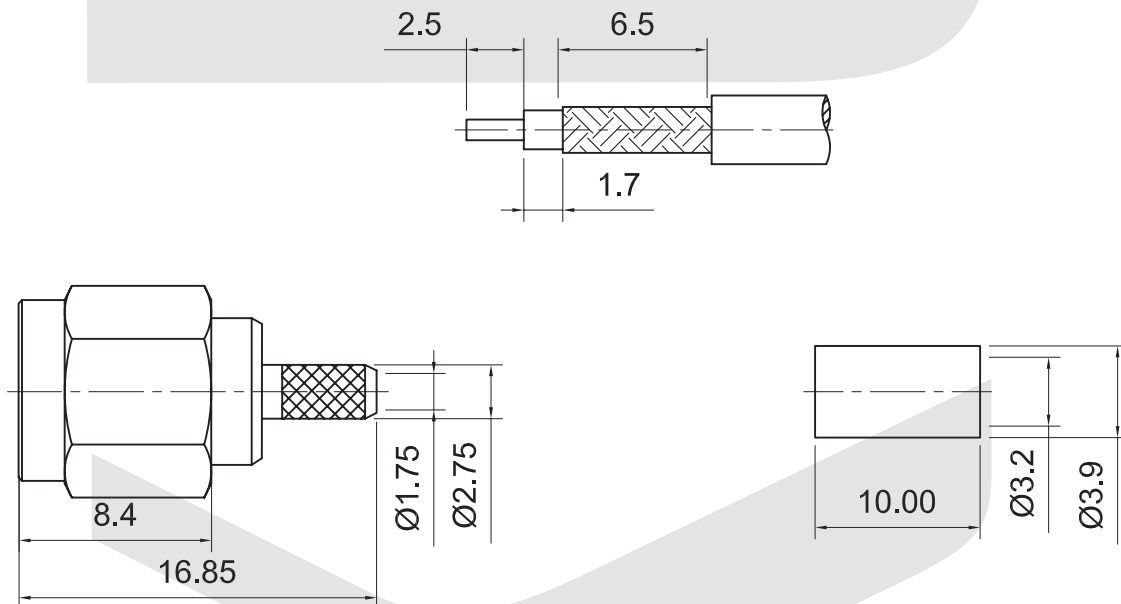
Insulator: PTFE

Gasket:Silicone rubber

Crimp Ferrule:Annealed copper

Cable Group: **RG-316,174,188;Q1,D316**

RECOMMENDED CABLE STRIPPING DIM'S



ORDER INFORMATION

Product NO.: **KLS1-SMA005**

Pos. NO. _____

SMA Connector Type _____