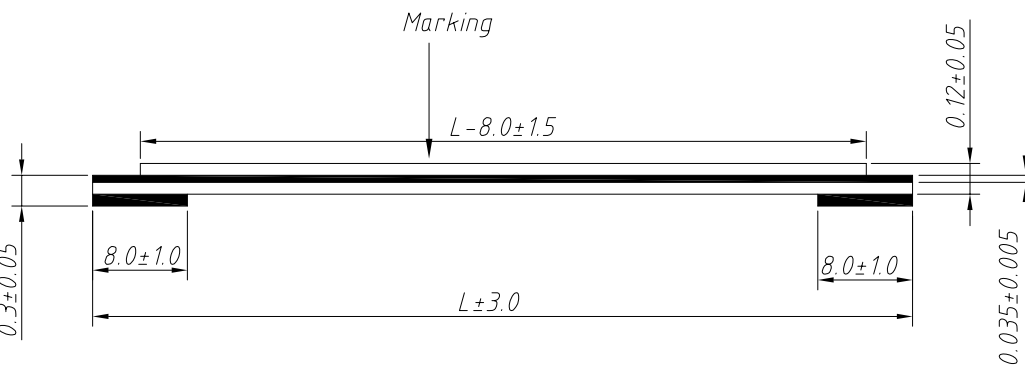




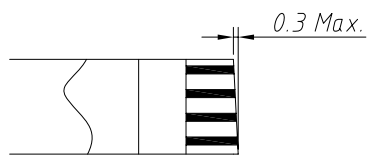
Note  
 1-100% Testes.No Short at Break Clrcult  
 2-Storage condition:  
 Temp:15°C~25°C  
 Humidity:30~60RH%  
 3-Conductor : 0.035×0.3mm  
 4-Supporting Tapc: 0.225mm PET,BLUE  
 5-Insulation: 0.043mm PET,White



Order Information

L-KLS17-FFC-0.5-XXP-LXXX A 4/8

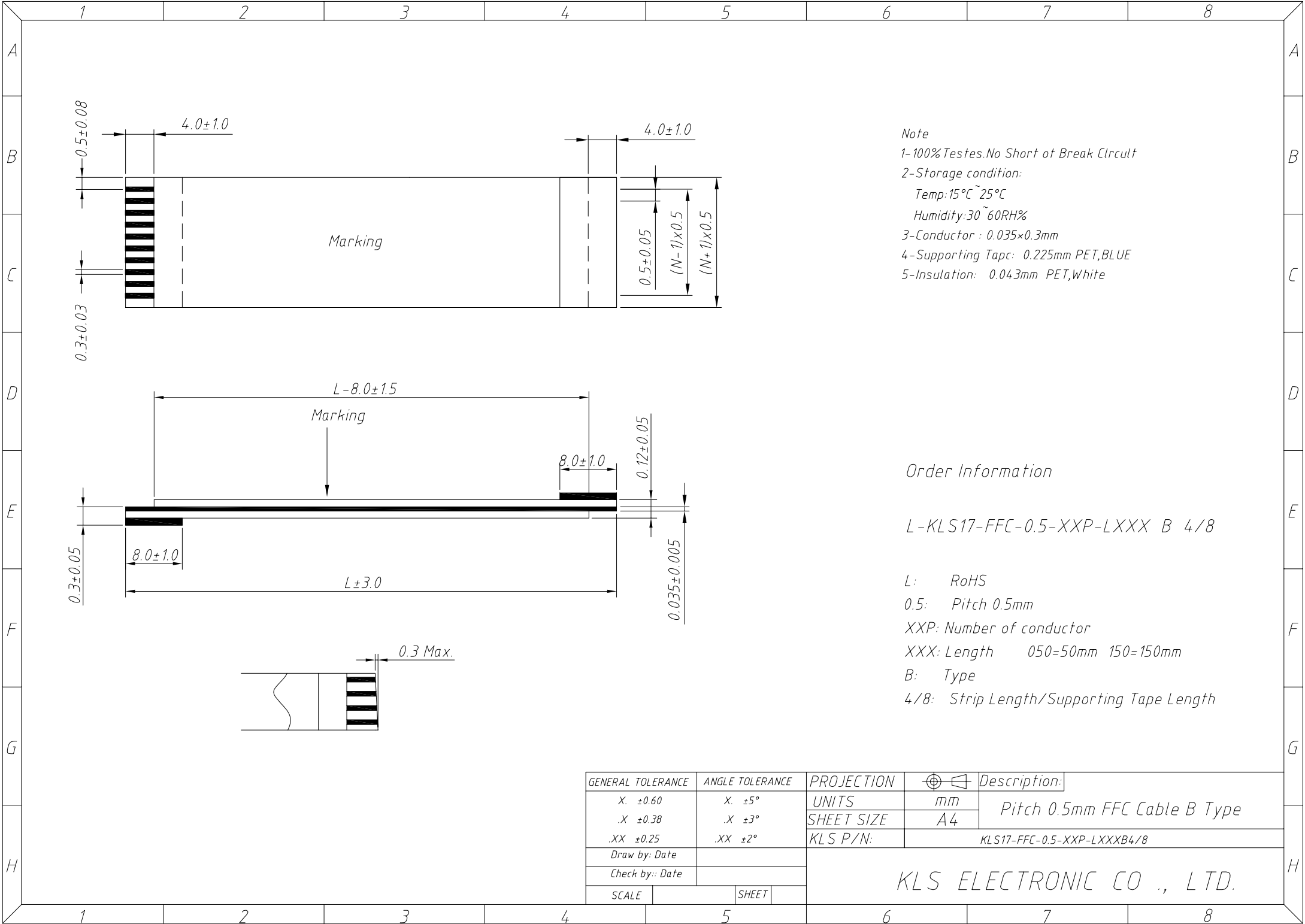
L: RoHS  
 0.5: Pitch 0.5mm  
 XXP: Number of conductor  
 XXX: Length 050=50mm 150=150mm  
 A: Type  
 4/8: Strip Length/Supporting Tape Length



GENERAL TOLERANCE	ANGLE TOLERANCE	PROJECTION	Description:
X. $\pm 0.60$	X. $\pm 5^\circ$	UNITS	mm
.X $\pm 0.38$	.X $\pm 3^\circ$	SHEET SIZE	A4
.XX $\pm 0.25$	.XX $\pm 2^\circ$	KLS P/N:	KLS17-FFC-0.5-XXP-LXXXA4/8

Draw by: Date  
 Check by: Date  
 SCALE SHEET

KLS ELECTRONIC CO., LTD.



Note  
 1-100% Testes.No Short at Break Circult  
 2-Storage condition:  
 Temp:15°C~25°C  
 Humidity:30~60RH%  
 3-Conductor : 0.035×0.3mm  
 4-Supporting Tapc: 0.225mm PET,BLUE  
 5-Insulation: 0.043mm PET,White

Order Information  
 L-KLS17-FFC-0.5-XXP-LXXX B 4/8  
 L: RoHS  
 0.5: Pitch 0.5mm  
 XXP: Number of conductor  
 XXX: Length 050=50mm 150=150mm  
 B: Type  
 4/8: Strip Length/Supporting Tape Length

GENERAL TOLERANCE	ANGLE TOLERANCE	PROJECTION	Description:
.X ±0.60	.X ±5°	UNITS	
.X ±0.38	.X ±3°	SHEET SIZE	Pitch 0.5mm FFC Cable B Type
.XX ±0.25	.XX ±2°	KLS P/N:	KLS17-FFC-0.5-XXP-LXXXB4/8
Draw by: Date		KLS ELECTRONIC CO., LTD.	
Check by: Date			
SCALE	SHEET		

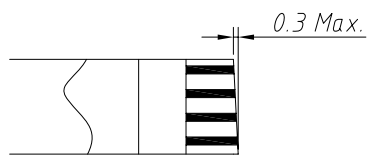
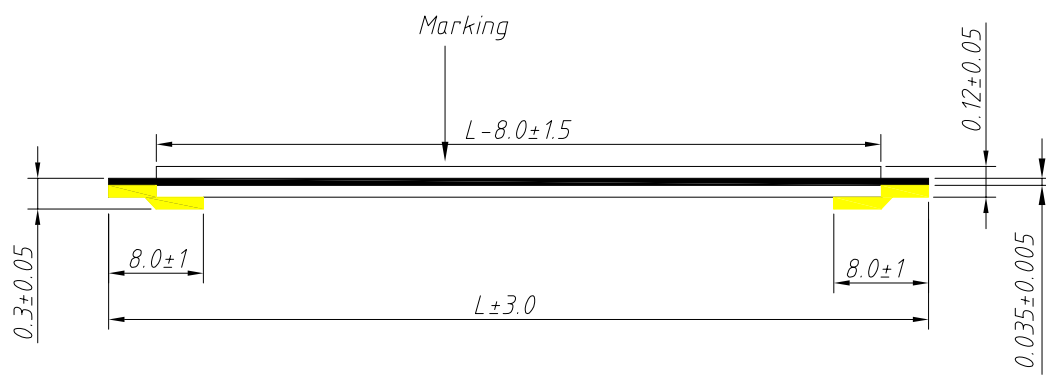


Note  
 1-100% Testes.No Short at Break Clrcult  
 2-Storage condition:  
 Temp:15°C~25°C  
 Humidity:30~60RH%  
 3-Conductor : 0.035×0.3mm  
 4-Supporting Tapc: 0.225mm PET,BLUE  
 5-Insulation: 0.043mm PET,White

Order Information

L-KLS17-FFC-0.5-XXP-LXXX C 4/8

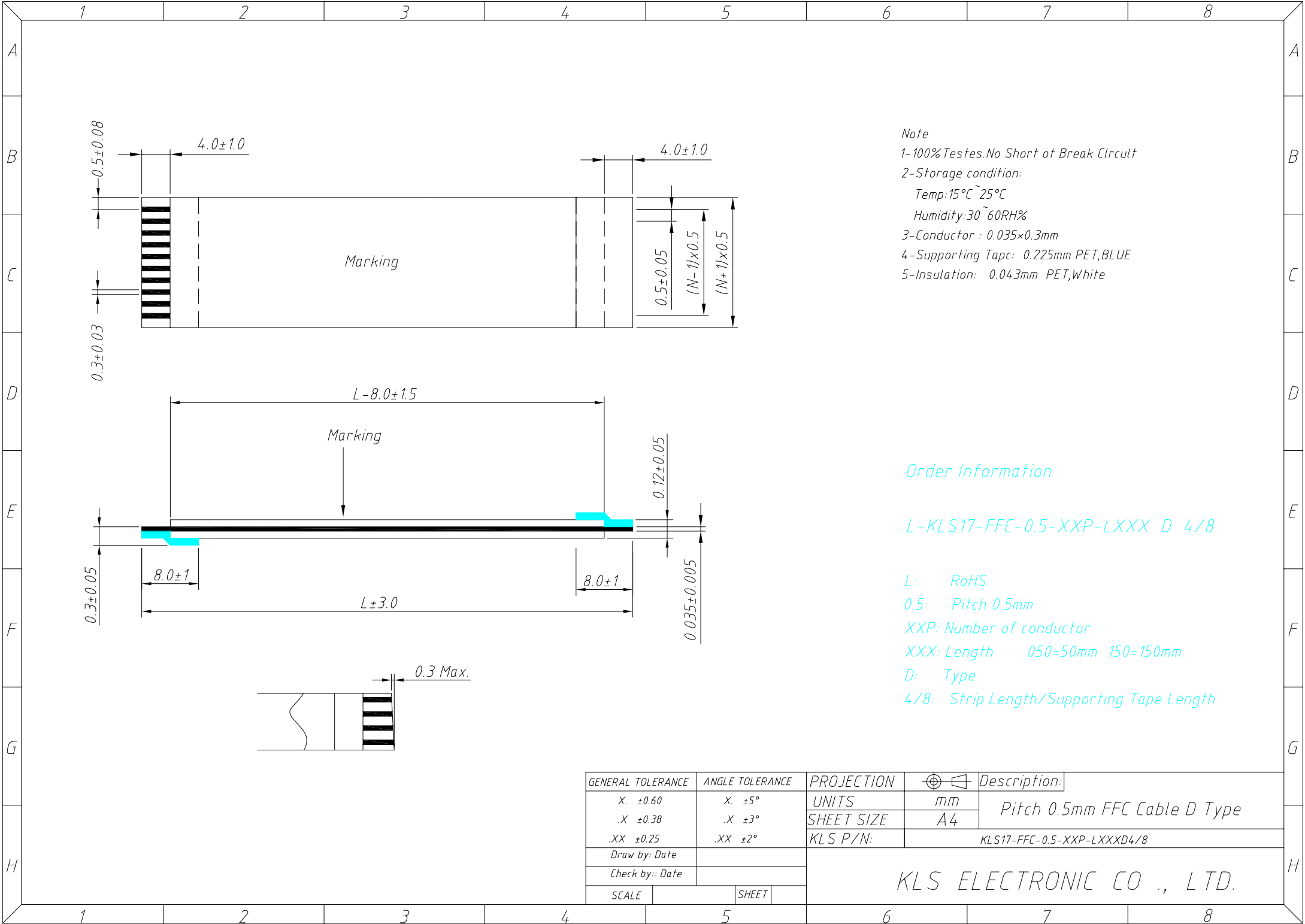
L: RoHS  
 0.5: Pitch 0.5mm  
 XXP: Number of conductor  
 XXX: Length 050=50mm 150=150mm  
 C: Type  
 4/8: Strip Length/Supporting Tape Length



GENERAL TOLERANCE		ANGLE TOLERANCE		PROJECTION	Description:
X. ±0.60	.X ±0.38	X. ±5°	.X ±3°	UNITS	
.XX ±0.25		.XX ±2°		SHEET SIZE	A4
Draw by: Date				KLS P/N:	KLS17-FFC-0.5-XXP-LXXXC4/8

KLS ELECTRONIC CO., LTD.

SCALE	SHEET
-------	-------



Note  
 1-100% Testes.No Short at Break Clrcult  
 2-Storage condition:  
 Temp:15°C ~25°C  
 Humidity:30 ~60RH%  
 3-Conductor : 0.035×0.3mm  
 4-Supporting Tapc: 0.225mm PET,BLUE  
 5-Insulation: 0.043mm PET,White

Order Information

L-KLS17-FFC-0.5-XXP-LXXX D 4/8

L: RoHS  
 0.5: Pitch 0.5mm  
 XXP: Number of conductor  
 XXX: Length 050=50mm 150=150mm  
 D: Type  
 4/8: Strip Length/Supporting Tape Length

GENERAL TOLERANCE		ANGLE TOLERANCE		PROJECTION	Description:
.X ±0.60	.X ±0.38	.X ±5°	.X ±3°	UNITS	
.XX ±0.25		.XX ±2°		SHEET SIZE	A4
Draw by: Date				KLS P/N: KLS17-FFC-0.5-XXP-LXXXD4/8	
Check by: Date				KLS ELECTRONIC CO., LTD.	
SCALE		SHEET			