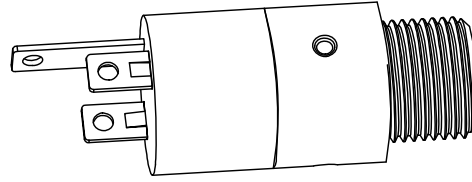
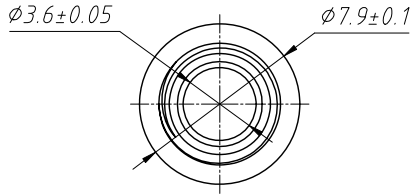


6		7		8	
REV	SYM	Revision Record		Appr.	Date
V0	KLS01129	New Version Release		Jenny	2023-10-16



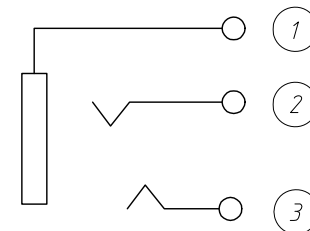
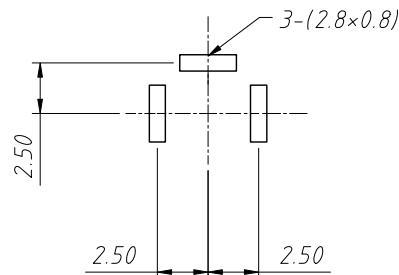
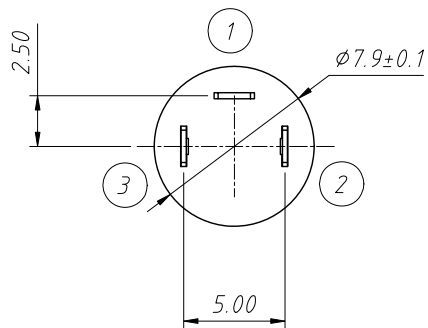
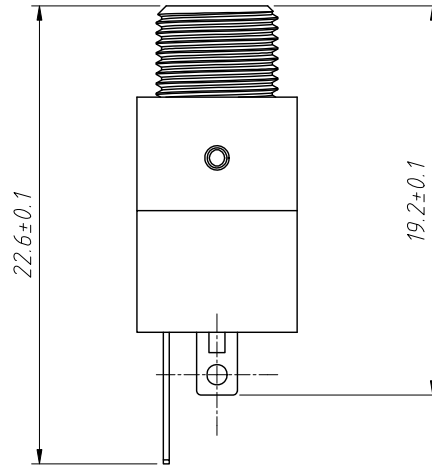
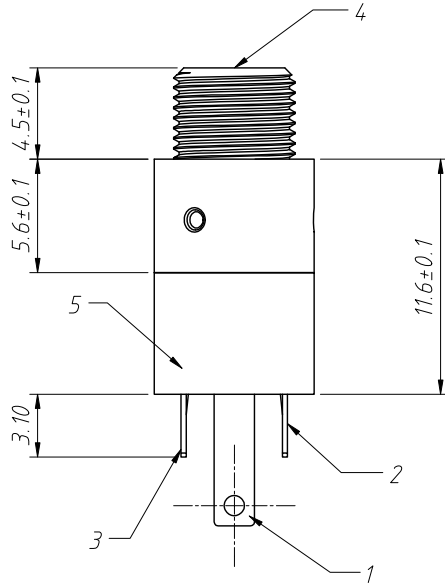
THREE-DIMENSIONAL ROTATION

Material:

- 1# Contact: Phosphor bronze $t=0.25\text{mm}$, Ag-Plating
- 2# Contact: Phosphor bronze $t=0.25\text{mm}$, Ag-Plating
- 3# Contact: Brass $t=0.30\text{mm}$, Ag-Plating
- 4# Contact: Copper sleeve, copper tin
5. Housing: PBT, Black

Technical parameters:

- Withstand Voltage: 500V AC 1 min (No arcing or breakdown)
- Contact resistance: $30\text{m}\Omega$ max
- Insulation resistance: $100\text{M}\Omega$ Min (DC500V)
- Rated load: DC 12V 1A
- Life: 5000 times $10 \sim 20$ / min
- Temperature range: $-25^\circ\text{C} \sim +85^\circ\text{C}$
- Insertion Force: $2.94 \sim 29.4\text{N}$ ($0.3 \sim 3.0\text{kgf}$)
- Pull out Force: $2.94 \sim 29.4\text{N}$ ($0.3 \sim 3.0\text{kgf}$)



ANGLE TOLERANCE	PROJECTION	Description:			
$\pm 3^\circ$		3.5mm phone jack connectors			
GENERAL TOLERANCE	UNITS	mm	KLS P/N:	L-KLS1-TG3.5-007A	
x.x ± 0.30	SHEET SIZE	A4		NingBo KLS ELECTRONIC CO.,L.TD.	
x.xx ± 0.20	Draw:	Jenny	2023-10-16		
x.xxx ± 0.10	Check:	Daniel	2023-10-16		