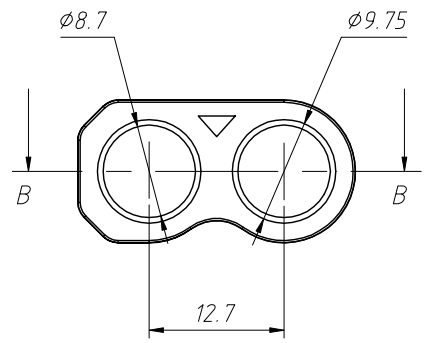
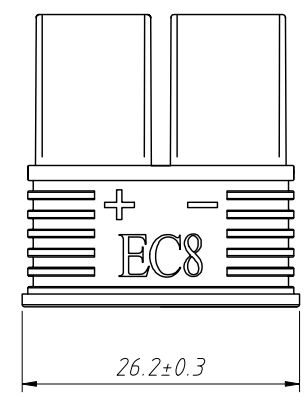
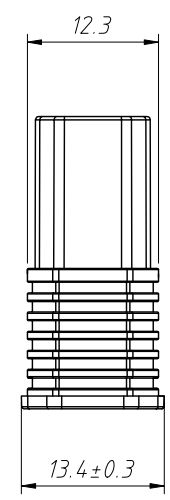
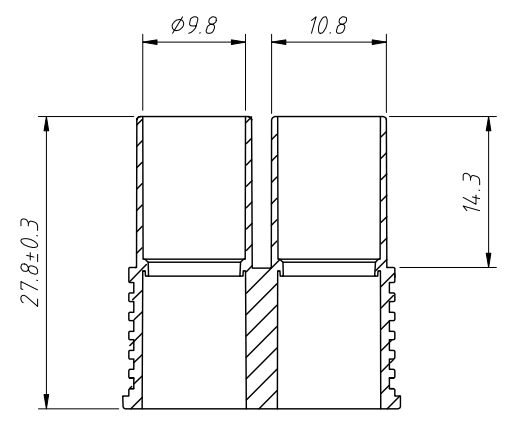


1
RoHS Compliance

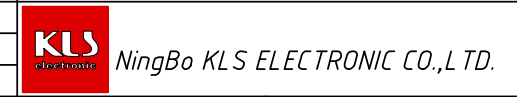


Order Information:
 L-KLS1-XT02-EC8-MH-2
 L: RoHS
 Product series
 Type:MH-Male Housing
 Housing Color:2-Blue

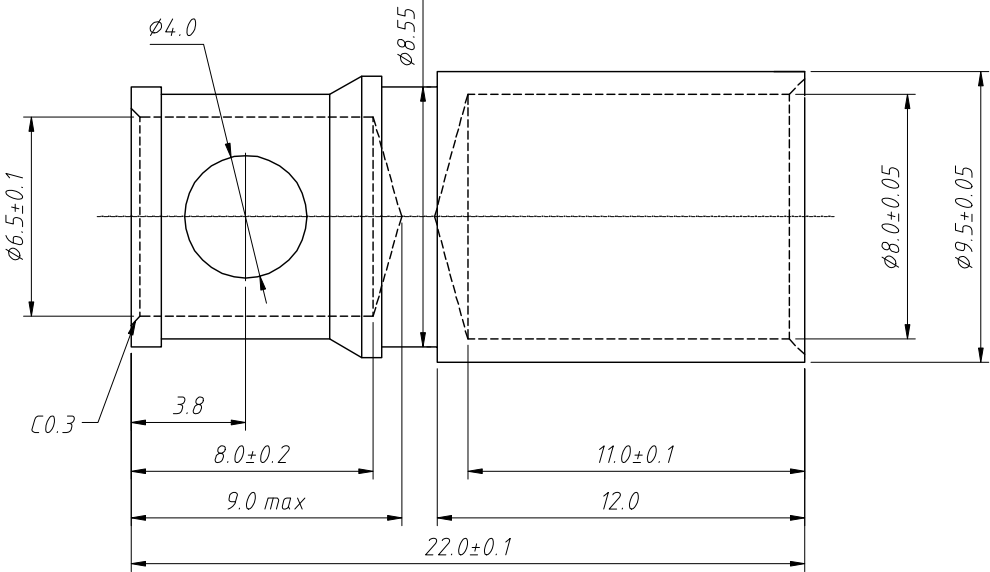


Material:
 Housing:PA66 UL94-V2,Blue Color
 Operating temperature:-30°C~130°C
 Weight:2.3g
 With "L-KLS1-XT02-EC8-FT" Supporting the use

ANGLE TOLERANCE	PROJECTION	Description:	
±3°		EC8 battery connector Male Housing	
GENERAL TOLERANCE	UNITS	mm	KLS P/N:
x.x ±0.30	SHEET SIZE	A4	L-KLS1-XT02-EC8-MH-2
x.xx ±0.20	Draw:	Daniel	2022-08-25
x.xxx ±0.10	Check:	Daniel	2022-08-25



1
RoHS Compliance



Material:
Terminal:H59 Brass
Surface Treatment:Gold Plated
Weight:4.5g
Packing:1000PCS/Bag

Electrical Characteristics:
Rated current:80A
Rated voltage:DC500V
Operating temperature:-30°C~130°C
Insertion force range:2-3kgf

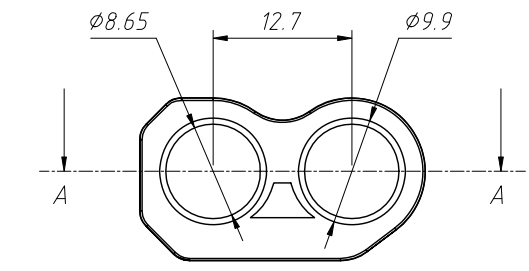
With "L-KLS1-XT02-EC8-MH-2" Supporting the use

Order Information:
L-KLS1-XT02-EC8-FT
L: RoHS
Product series
Type:Female Terminal

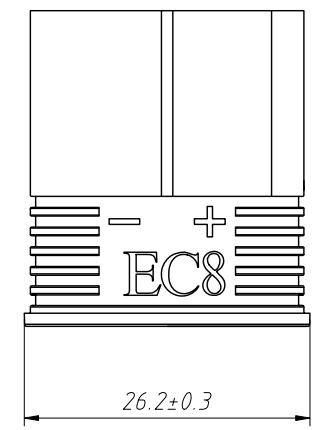
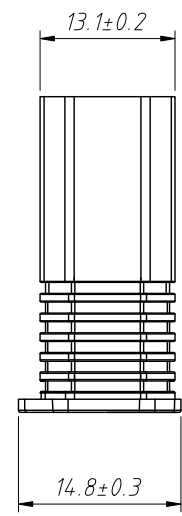
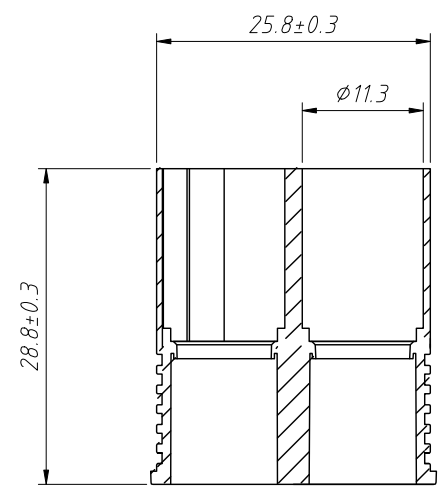
ANGLE TOLERANCE	PROJECTION	Description:	8.0 Female Terminal 9.5x22	
±3°				
GENERAL TOLERANCE	UNITS	mm	KLS P/N:	L-KLS1-XT02-EC8-FT
x.x ±0.30	SHEET SIZE	A4		
x.xx ±0.20	Draw:	Daniel	2022-08-25	
x.xxx ±0.10	Check:	Daniel	2022-08-25	

NingBo KLS ELECTRONIC CO.,L TD.

1
RoHS Compliance

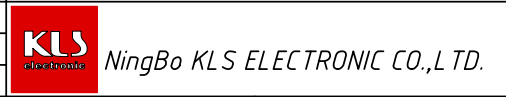


Order Information:
 L-KLS1-XT02-EC8-FH-2
 L: RoHS
 Product series
 Type: FH-Female Housing
 Housing Color: 2-Blue

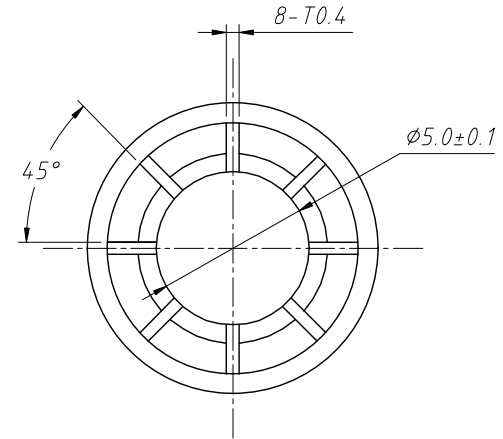
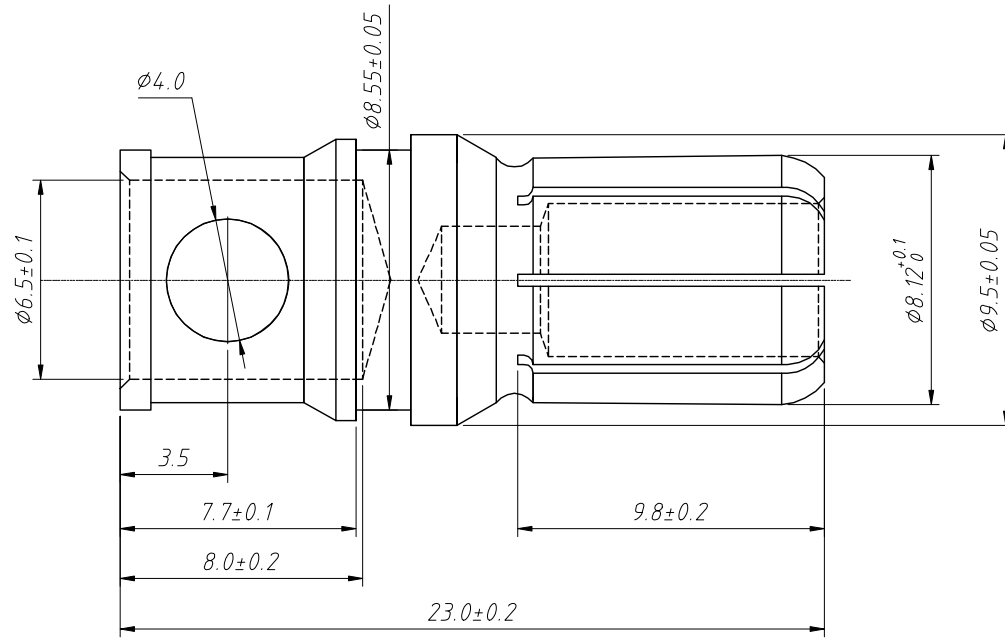


Material:
 Housing: PA66 UL94-V2, Blue Color
 Operating temperature: -30°C ~ 130°C
 Weight: 2.8g
 With "L-KLS1-XT02-EC8-MT" Supporting the use

ANGLE TOLERANCE	PROJECTION	Description:	
±3°		EC8 battery connector Female Housing	
GENERAL TOLERANCE	UNITS	mm	KLS P/N:
x.x ±0.30	SHEET SIZE	A4	L-KLS1-XT02-EC8-FH-2
x.xx ±0.20	Draw:	Daniel	2022-08-25
x.xxx ±0.10	Check:	Daniel	2022-08-25



1
RoHS Compliance



Material:
Terminal:H59 Brass
Surface Treatment:Gold Plated
Weight:5.5g
Packing:1000PCS/Bag

Electrical Characteristics:
Rated current:80A
Rated voltage:DC500V
Operating temperature:-30°C~130°C
Insertion force range:2-3kgf
With "L-KLS1-XT02-EC8-FH-2" Supporting the use

Order Information:
L-KLS1-XT02-EC8-MT

L: RoHS
Product series
Type:Male Terminal

ANGLE TOLERANCE	PROJECTION	Description:	8.0 Male Terminal 9.5×23	
±3°				
GENERAL TOLERANCE	UNITS	mm	KLS P/N:	L-KLS1-XT02-EC8-MT
x.x ±0.30	SHEET SIZE	A4		
x.xx ±0.20	Draw:	Daniel	2022-08-25	NingBo KLS ELECTRONIC CO.,L TD.
x.xxx ±0.10	Check:	Daniel	2022-08-25	