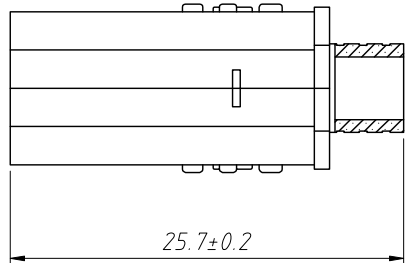
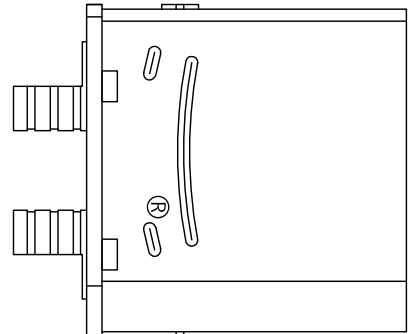
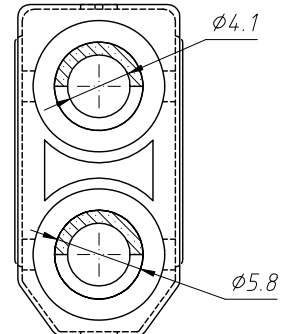
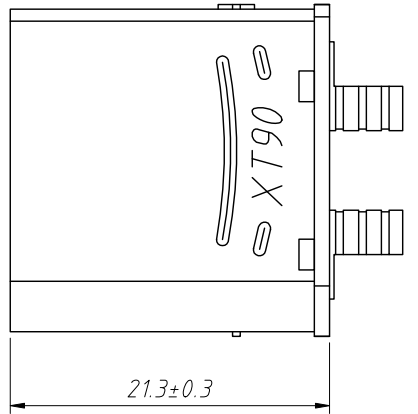
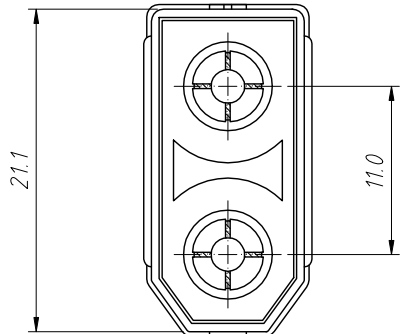
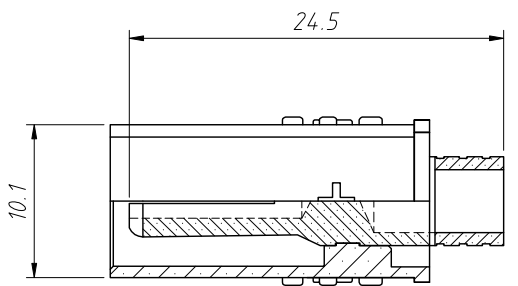
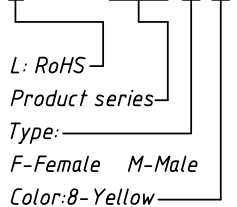


1
RoHS Compliance



Order Information:
L-KLS1-XT90-F-8



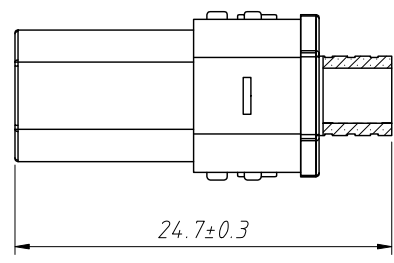
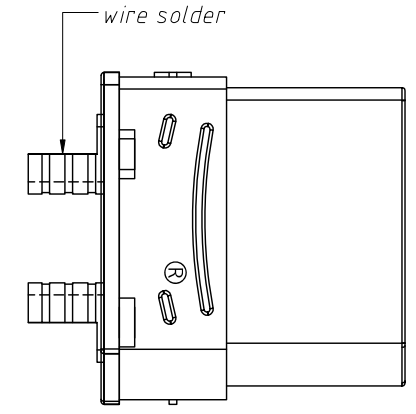
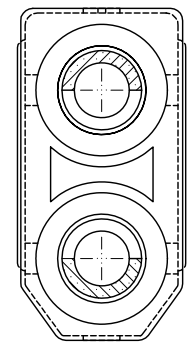
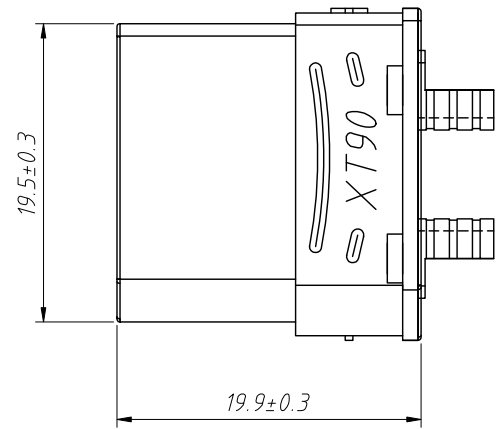
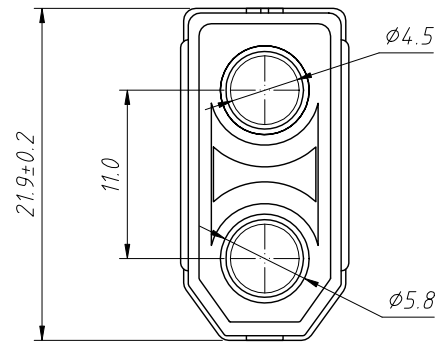
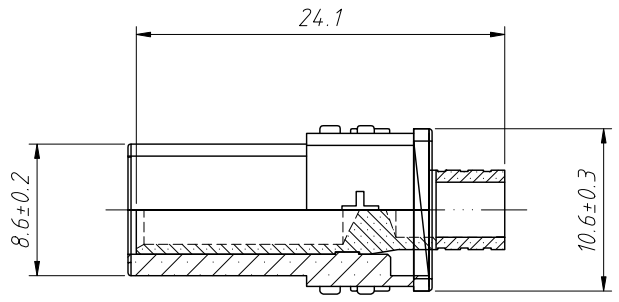
Material:
Female Housing: PA66 UL94-V2, Yellow Color
Male Terminal: H59 Brass, Gold Plated
Weight: 7.15g
Package Way: 300PCS/Bag

Electrical Characteristics:
Instant current: 90A
Rated current: 45A
Rated voltage: DC500V
Contact resistance: 0.3mΩ
Usage times: 1000 Times
Operating temperature: -20°C ~ +120°C
Recommended wire gauge: 10AWG

ANGLE TOLERANCE	PROJECTION	Description:	
±3°		XT90 Female Housing Contains Male Terminal	
GENERAL TOLERANCE	UNITS	mm	KLS P/N:
x.x ±0.30	SHEET SIZE	A4	L-KLS1-XT90-F-8
x.xx ±0.20	Draw:	Daniel	2022-08-25
x.xxx ±0.10	Check:	Daniel	2022-08-25



1
RoHS Compliance



Order Information:
 L-KLS1-XT90-M-8
 L: RoHS
 Product series
 Type:
 F-Female M-Male
 Color:8-Yellow

Material:
 Male Housing:PA66 UL94-V2, Yellow Color
 Female Terminal:H59 Brass, Gold Plated
 Weight: 7.0g
 Package Way:300PCS/Bag

Electrical Characteristics:
 Instant current:90A
 Rated current:45A
 Rated voltage:DC500V
 Contact resistance:0.3mΩ
 Usage times:1000 Times
 Operating temperature:-20°C ~ +120°C
 Recommended wire gauge:10AWG

ANGLE TOLERANCE	PROJECTION	Description:	
±3°		XT90 Male Housing Contains Female Terminal	
GENERAL TOLERANCE	UNITS	mm	KLS P/N:
x.x ±0.30	SHEET SIZE	A4	L-KLS1-XT90-M-8
x.xx ±0.20	Draw:	Daniel	2022-08-25
x.xxx ±0.10	Check:	Daniel	2022-08-25

