

Product Specification

Number: L-KLS5-GDTH5560-2R230L

Name: Surge Arresters

Customer: B36

Date: 2022-08-30

Customer Signature:

--



NINGBO KLS ELECTRONIC CO; LTD

Tel : 0086-574-86828566

Fax : 0086-574-86824882

ADD : NO. 8-1, RONGXIA RD. XIAPU SHANQIAN
INDUSTRIAL ZONE BEILUN NINGBO ZHEJIANG.

Compi	Check	Review	Approva
Jenny	Jack.C		

Surge Arresters

陶瓷气体放电管



Gas Discharge Tubes



GDT introduction: Gas discharge tubes (GDT) use noble gasses enclosed in ceramic tubes to provide an alternate circuit path for voltage spikes. The ceramic envelope and with nickel connectors allow for high loads and Surging offers products that function at 20KA, 40KA, 50KA, 60KA, 100KA & 150KA. The breakdown voltages of the devices have a wide range (up to 20% tolerance). Major applications are high frequency telecommunication lines, stations, security systems, HID and high quality Surge Protection Devices (SPD).

Features

1. RoHS & HF compliant
2. SMD Structure
3. DC Spark-over voltage: 70~3600V
4. Low Capacitance
5. Agency Recognition : UL
6. Operating temperature: -40°C ~ +125°C Storage

Recommended Applications

1. Cable Modem
2. xDSL
3. Set-Top Box
4. TV sets
5. Power supplier
6. Consumer electronics

Gas Discharge Tubes

Electrical Characteristics

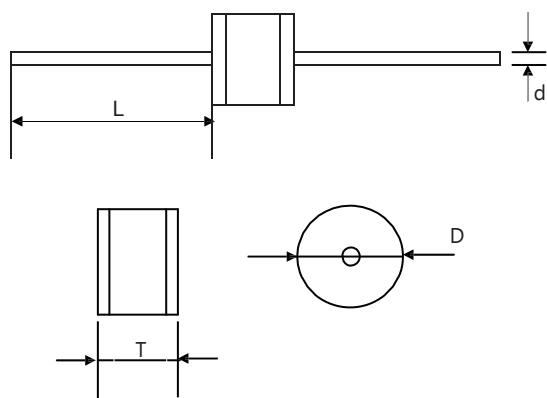
Part No.		DC Spark-over Voltage	Maximum Impulse Breakdown Voltage		Max. Impulse Discharge Current (8/20 μ s)		Impulse Life (10/1000 μ s)	Normal Alternating Discharge Current		DC Holdover Voltage	Minimum Insulation Resistance	Maximum Capacitance (1MHz)
			100V/ μ S	1KV/ μ S	1 times	10 times		100 A	50Hz 1Sec			
DIP	SMD	(V)	(V)	(V)	(KA)		Times	(A)		(V)	(G Ω)	(pF)
2R070L	2R070	70 \pm 20%	700	800	10	5	300	10	25	52	1	1
2R075L	2R075	75 \pm 20%	700	800	10	5	300	10	25	52	1	1
2R090L	2R090	90 \pm 20%	600	700	10	5	300	10	25	52	1	1
2R150L	2R150	150 \pm 20%	600	700	10	5	300	10	25	52	1	1
2R230L	2R230	230 \pm 20%	600	700	10	5	300	10	25	80	1	1
2R350L	2R350	350 \pm 20%	700	900	10	5	300	10	25	150	1	1
2R400L	2R400	400 \pm 20%	800	1000	10	5	300	10	25	150	1	1
2R470L	2R470	470 \pm 20%	900	1100	10	5	300	10	25	150	1	1
2R600L	2R600	600 \pm 20%	1300	1500	10	5	300	10	25	150	1	1
2R800L	2R800	800 \pm 20%	1500	1700	10	5	300	10	25	150	1	1
2R1000L	2R1000	1000 \pm 20%	1600	1800	5	3	300	10	25	150	1	1
2R1200L	2R1200	1200 \pm 20%	1800	2000	5	3	300	10	25	150	1	1
2R1500L	2R1500	1500 \pm 20%	2200	2400	5	3	300	10	25	150	1	1
2R2000L	2R2000	2000 \pm 20%	2800	3000	5	3	300	10	25	150	1	1
2R2500L	2R2500	2500 \pm 20%	3300	3500	5	3	300	10	25	150	1	1
2R3000L	2R3000	3000 \pm 20%	3800	4000	5	3	300	10	25	150	1	1
2R3600L	2R3600	3600 \pm 20%	4400	4600	5	3	300	10	25	150	1	1
2R4000L	2R4000	4000 \pm 20%	4800	4900	3	1	300	10	25	150	1	1
2R4500L	2R4500	4500 \pm 20%	5000	5300	3	1	300	10	25	150	1	1

DC Spark-over Voltage	DC Measuring Voltage
70-90V	50V
150-400V	100V
1000-4500V	250V

Gas Discharge Tubes

Dimension

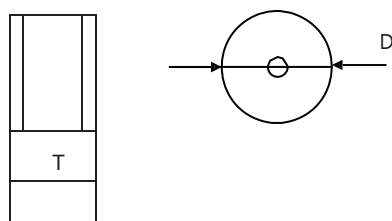
(Axial lead type) (DIP)



Unit:mm

Item	Dimensions	
	Spec.	Tolerance
D	5.5	+0.3/-0.5
T	6.0	+0.3/-0.5
L	20	Min.
d	0.8	±0.05

(No lead type) (SMD)

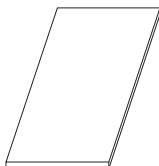
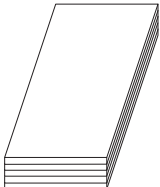
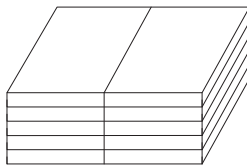


Unit:mm

Item	Dimensions	
	Spec.	Tolerance
D	5.5	+0.3/-0.5
T	6.0	+0.3/-0.5

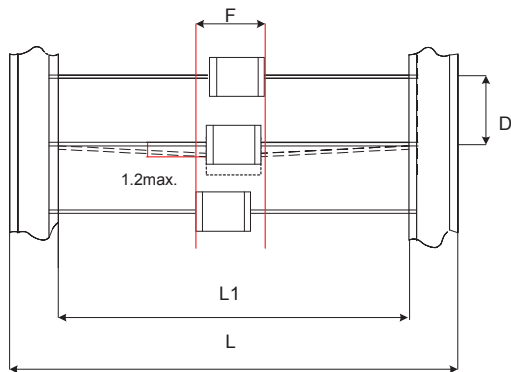
Packaging Taping

Unit:mm

Plastic Tray (265×147×10mm)	Inner Box (270×145×50mm)	Outside Box (310×280×275mm)
		
100 PCS/ Plastic Tray	500 PCS/ Box	5,000 PCS/ Carton

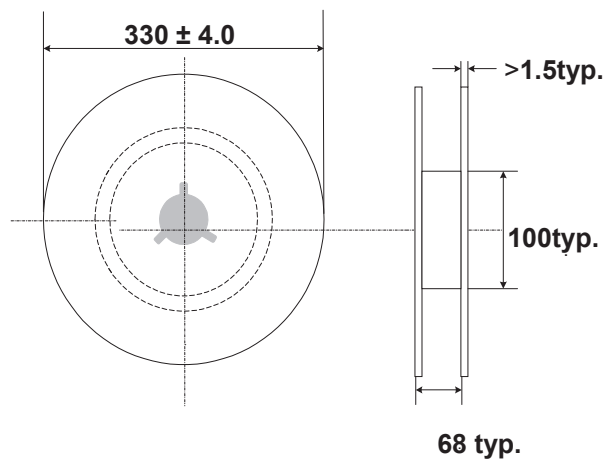
Gas Discharge Tubes

For 2-electrode Axial Lead GDT: 500 PCS/Reel



Unit:mm

Item	Dimensions	
	Spec.	Tolerance
L1	52	±2
L	64	±3
D	10	±0.5
F	T+1.4	Max.



Warehouse Storage Conditions of Products

• Storage Conditions:

1. Storage Temperature: -40°C~+90°C
2. Relative Humidity: ≤75%RH

3. Keep away from corrosive atmosphere and sunlight.

- Period of Storage: 1 year