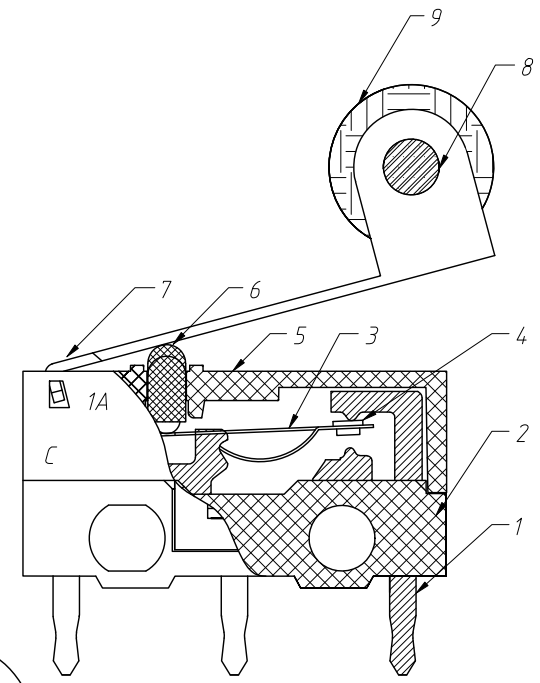
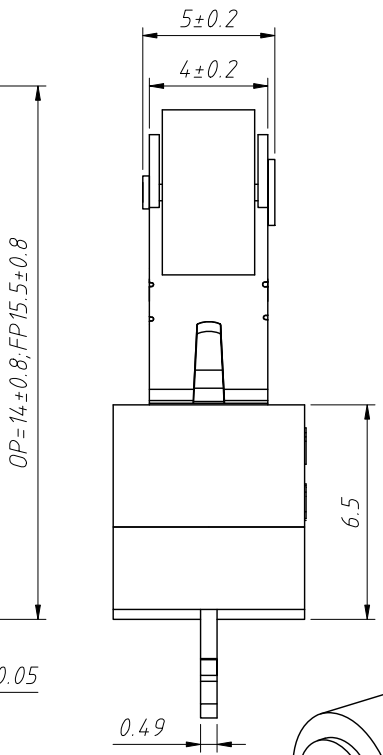
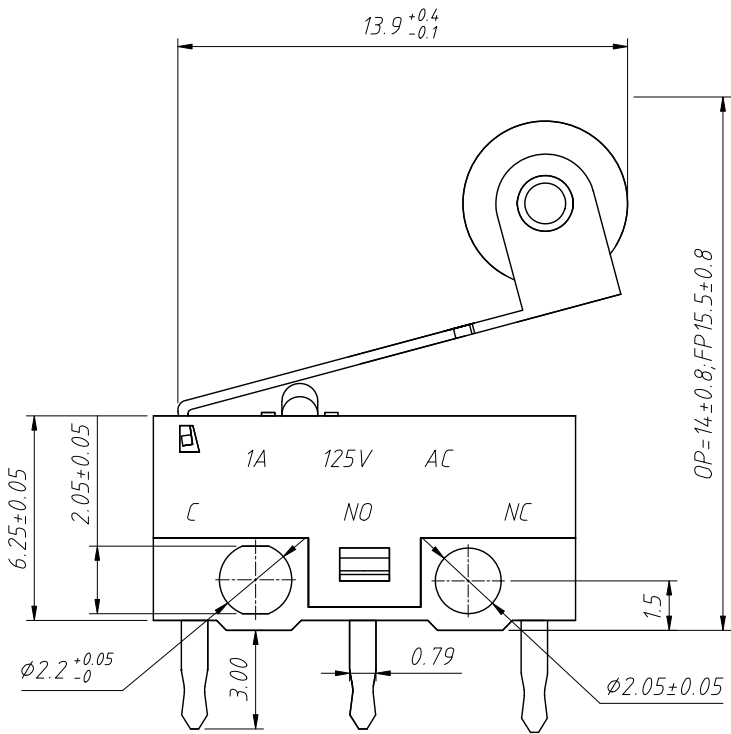


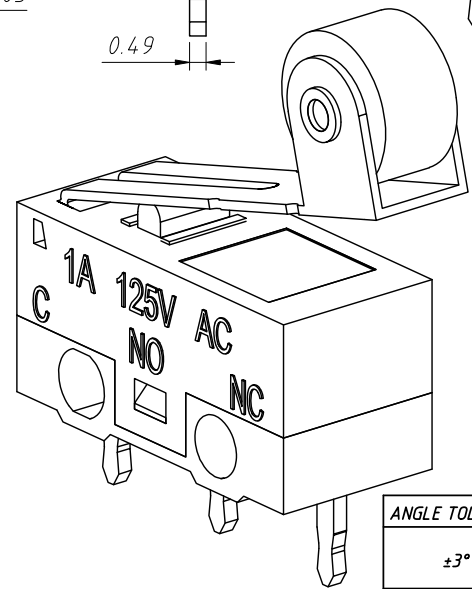
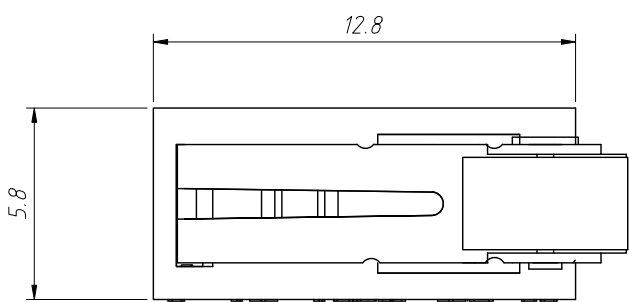
RoHS Compliance

| | | | | |
|-----|----------|---------------------|-------|------------|
| REV | SYM | Revision Record | Appr. | Date |
| V0 | KLS07136 | New Version Release | Jenny | 2023-11-07 |



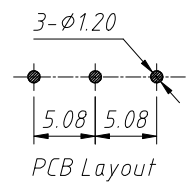
- Material:**
- Contact foot: Brass, Ag plating
 - Housing: PPA, White
 - 90-150gf Contact Form: Phosphor copper
 - Contacts: Silver alloy
 - Cover: PBT, Black
 - Stem: POM, White
 - Actuator: Stainless steel
 - Rivet: Brass
 - Roller: POM, Black

- Electrical Characteristics:**
- Rating: 1A 125V AC
 - Contact Resistance: 100mΩ Max
 - Insulation Resistance: 500MΩ Min
 - Withstand Voltage: AC500V 1min.
 - Electrical Life: 100000 cycles
 - Operating Force: 35±15gf



Order Information:
 L-KLS7-KW10- Z 5 P 045 L13.9

L: RoHS
 Micro Switch
 Circuit Code: Z-SPDT
 Actuator forms
 Terminal Types:
 P-PCB terminal
 Operating force: 045-0 45N
 With roller: L=13.9mm



| | | | |
|-------------------|------------|--------------|-------------------------|
| ANGLE TOLERANCE | PROJECTION | Description: | |
| ±3° | | | Micro switch |
| GENERAL TOLERANCE | UNITS | mm | KLS P/N: |
| x.x ±0.30 | SHEET SIZE | A4 | L-KLS7-KW10-Z5P045L13.9 |
| x.xx ±0.20 | Draw: | Jenny | 2023-11-07 |
| x.xxx ±0.10 | Check: | Daniel | 2023-11-07 |

