



个性凹面头部



配套插件



镀金镀银插脚



高亮均匀发光

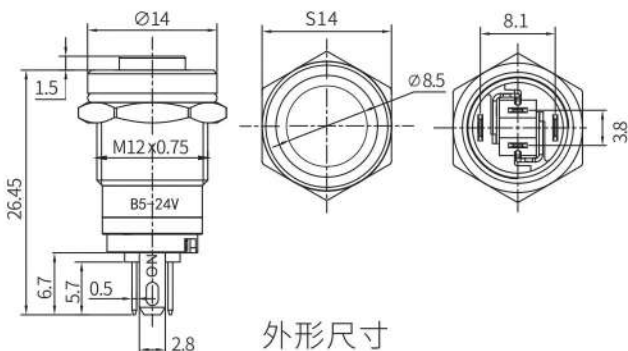
型号说明/选型，写法举例：LB12E-P10Z/E+DYB5-24V/N(L)

对应编号	LB	●●	●	-	●	●●	●	/	●	●	●●	/	●	L
	1	2	3		4	5	6		7	8	9		10	11
1	LB	LANBOO 蓝波代码												
2	安装孔径	12mm												
3	系列号	E小型短款大电流系列												
4	头部形状	P—平头、G—高头												
5	开关组合	10—1NO 常开触点，慢动双触点												
6	动作形式	Z—自锁式(保持式)，F—自复式(点动式)												
7	发光形状	E—环形，E+DY—环形电源符号												
8	发光颜色	R—红色、G—绿色、B—蓝色，定制：Y—黄色、W—白色												
9	LED 电压	5-24V、220V(外接电阻)，定制：3V、25-48V 与 110V(外接电阻)，AC/DC 通用												
10	外壳材质	N—铜镀铬，可定制：S—不锈钢、A—铝氧化、ST—不锈钢镀钛												
11	(L)	内部代码												

性能参数

开孔直径	对应孔径+0.2mm，例如：LB12E为12.2mm
外壳	H57/59铜镀铬，可定制：304不锈钢(RoHS)、6063铝氧化(RoHS)、ST—不锈钢镀钛
按键	316不锈钢(RoHS)，可定制：6063铝氧化(RoHS)、ST—不锈钢镀钛
透光材料	PC(RoHS)，V2级阻燃
螺母	H57/59铜镀镍，可定制：304不锈钢(RoHS)
O型圈	硅胶(RoHS)
触点	银氧化锡AgSnO2(RoHS)

底座	PA46 (RoHS), V0 级阻燃
引脚	H65镀金/银 (RoHS)
安装面板厚度	≤8mm
拧紧力矩	0.8-1.2N.m
螺纹验证	将螺母锁紧至垫圈明显变形, 然后拆下, 如此循环 5 次, 无异常
动作行程	总行程: 约2.9±0.1mm, 接通过程: 约0.65±0.15mm
按压力	约5N
接线形式	引脚式, 可选配套接插件
耐焊性	≤380°C (25~50W 电烙铁), ≤2 秒
插片可焊性试验	各引脚分别焊接1mm ² 电线, 50N正向拉力后, 无脱落
与线束的配合试验	150mm 线长, ≤50mΩ, LED 灯通电无闪烁, 拉开力: 无灯 25~40N, 带灯 40~60N
引脚反向推力	≥50N 无位移, 1min
头部防脱顶牛	≥200N, 1min
工作环境温度	-40°C~+80°C, 非真空状态、不结冰情况下
工作环境湿度	45~90%RH
贮存环境温度	包装完好情况下, -40°C~+55°C
贮存环境湿度	包装完好情况下, 45~90%RH
防护等级	IP65(可定制IP67), IK10
约定发热电流	I _{th} : 10A, 250VAC
电阻性负载	AC-12: 220V: 7A DC-13: 12V/24V: 7A
电感性负载	AC-12: 110V/220V: 3A DC-13: 12V/24V: 3A
接触电阻	≤50mΩ
绝缘电阻	≥1000MΩ
抗电强度 (工频耐压)	2500VAC, 50HZ, 1min
触点最小适用负载	3V AC/DC, 5mA (参考值, 取决于环境与负载情况)
耐振性	XYZ 三向, 60HZ, 振幅 2mm
产品防跌落	头部竖直跌落 1 米, 3 次, 能正常工作
包装跌落	600mm 高度连续跌落 4 次, 产品无损坏
温升	按 GB/T14048.5 标准中 8.3.3.3 条款
盐雾试验	72h, 3 个周期, (参考 GB/T 2423.18-2012)
低温试验	-40°C, 96h, 接触电阻≤200mΩ、按压力变化值≤30%, LED 正常
高温试验	80°C, 96h, 接触电阻≤200mΩ、按压力变化值≤30%, LED 正常
高低温冲击试验 (含LED灯加速老化试验)	-40~+85°C, 85%RH, 40min/循环, 50 个循环, 接触电阻≤200mΩ、按压力变化值≤30%, LED 正常
电气寿命	阻性负载 AC220V/0.5A、DC24V/2A: 1 万次, (参考 GB/T14048.5)
机械寿命	自锁: 20 万次, 自复: 100 万次, (参考 GB/T14048.5)
极限按压测试	在底部保持 5s 时间, 再松开, 4 次/min, 进行 2000 次试验
ESD静电	人体模式: 2KV, 可定制 8KV
LED额定电流	≤24V, ≤20mA; >24V, ≤10mA
LED灯珠类型	贴片无极双芯片 LED
LED降压方式	5-24V 内置微型降压电阻, >24V 外接电阻
LED寿命	≥50000h (参考值)
产品认证	CCC CE RoHS (定制) REACH (定制)
专利号	ZL201930132100.3、ZL201930132095.6、ZL201920516569.1
质保	66 个月



接插件



中国·蓝波
LANBOO

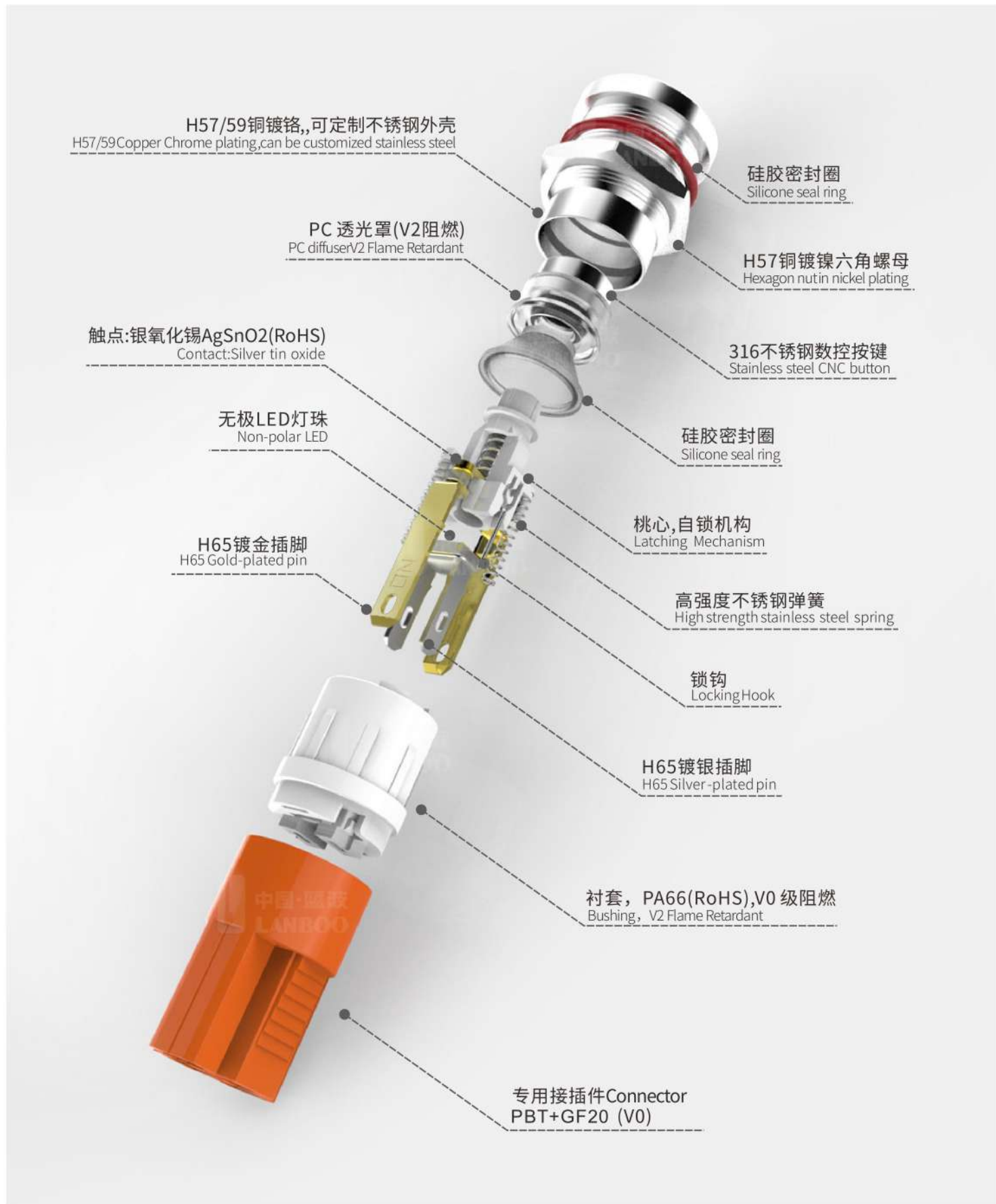
蓝波大电流开关

Pioneer of High-Current Switches

CCC CE RoHS Intertek ISO9001 多项专利

LB12E 规格书

7A大电流金属按钮



We Are Different

© 版权归蓝波所有, 未经许可严禁转载复制盗用!

蓝波按钮.精工造
LANBOO BUTTON SEKO MANUFACTURING



Concave head



Connector



Gold-plated pins



Uniform luminescence

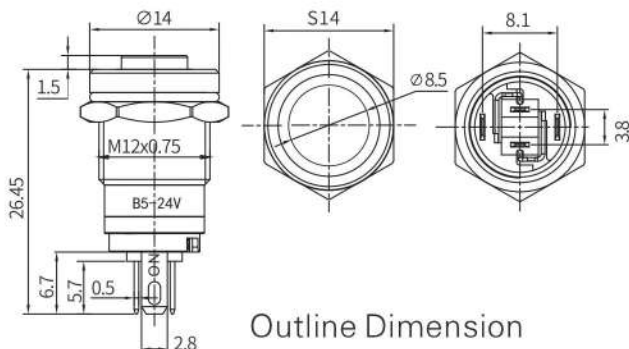
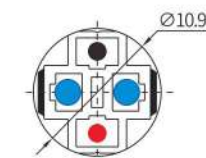
Model Description/Selection, Example: LB12E-PI0Z/E+DYB5-24V/N(L)

The Corresponding Number	LB	●●	●	-	●	●●	●	/	●	●	●●	/	●	L	
	1	2	3		4	5	6		7	8	9		10	11	
1	LB	LANBOO													
2	Install Diameter	12mm													
3	Series No.	E small short current series													
4	Head Shape	P-flat head, G-tall head													
5	Switch Combination	10-1NO normally open contact, slow-moving double contact													
6	Action Form	Latching, Momentary													
7	Luminous Shape	E—ring, customization: E+DY - ring + power symbol													
8	LED Color	R-Red, G-Green, B-Blue, custom: Y-Yellow, W-White													
9	LED Voltage	5-24V, 220V (external resistance), customized: 3V, 25-48V and 110V (external resistance), AC/DC universal													
10	Shell Material	N-Copper chrome plating, customizable: S-Stainless steel, A-Aluminum Oxide, ST-Stainless steel titanium plating													
11	(L)	Internal code													

The performance parameters

Hole Diameter	Corresponding aperture +0.2mm, for example: LB12E is 12.2mm
Shell	H57/59 Copper chrome plating, customizable: 304 stainless steel (RoHS), 6063 aluminum oxide (RoHS), ST-stainless steel titanium plating
Key	316 stainless steel (RoHS), customizable: 6063 aluminum oxide (RoHS), ST-stainless steel titanium plating
Pervious To Light Material	PC (RoHS), V2 flame retardant
Nut	H57/59 Nickel copper plating, customizable: 304 stainless steel (RoHS)
O-Ring	Silica gel (RoHS)
Contact Material	AgSnO2 silver oxide (RoHS)
Base Seat	PA66 (RoHS), Grade V0 flame retardant

Pins Material	H65 Gold plated/Silver (RoHS)	
Mounting Panel Thickness	≤8mm	
Nut Tightening torque	0.8-1.2N.m	
Thread Verification	Lock the nut until the washer is visibly deformed, then remove the nut. Repeat 5 times no abnormalities	
Action Stroke	Total stroke: about 2.9±0.1mm, connecting stroke: about 0.65±0.15mm	
Operation Pressure	About 5N	
Connection Mode	Pins , Special connector can be selected	
Soldering Resistance	≤380°C (25~50W) , ≤2 Seconds,	
Pins Welding Strength	Each pin is welded with 1mm ² wire, 30N forward tension without falling off	
Matching test with wiring harness	Wires length 150 mm, ≤ 50mΩ, Power on, LED flicker free, Pull force: Without LED 25 ~ 40N, With LED 40 ~ 60N	
Pin Reverse Thrust	≥50N, 1min	
Head Anti-off Strength	≥200N, 1min	
Working Environment Temperature	-40°C~+80°C, Non-vacuum, non-freeze	
Working Environment Humidity	45~90%RH	
Storage Ambient Temperature	Packing in good condition, -40°C~+55°C	
Storage Ambient Humidity	Packing in good condition, 45~90%RH	
Protection Level	IP65(customizable IP67),IK10	
Rated thermal current	Ith: 10A, 250VAC	
Resistive Load	AC-12: 220V:7A	DC-13: 12V/24V:7A
Inductive Load	AC-12: 110V/220V:3A	DC-13: 12V/24V:3A
Contact Resistance	≤50mΩ	
Insulation Resistance	≥1000MΩ	
Dielectric Strength	2500VAC, 50HZ, 1min	
Min. Applicable Load For Contact	3V AC/DC, 5mA (Reference value, depending on the environment and load)	
Resistance To Vibration	XYZ, 60HZ, The amplitude 2mm	
Product Fall-Proof	Head vertical drop 1 meter, 3 times, can work normally	
Packaging Fall-Proof	600mm height continuous drop for 4 times, no damage to the product	
Temperature Rise	According to clause 8.3.3.3 in GB/T14048.5 standard	
Salt Spray Test	72H, 3 cycles (refer to GB/T 2423.18-2012)	
Low Temperature Test	-40°C, 96h, Contact resistance≤200mΩ, Change in pressure≤30%, LED Normal	
High Temperature Test	80°C, 96h, Contact resistance≤200mΩ, Change in pressure≤30%, LED Normal	
High And Low Temperature Impact Test	-40~+85°C, 85%RH, 40min/Circulation, 50 Circulation, Contact resistance≤200mΩ, Change in pressure≤30% LED Normal	
Electrical Life	Resistive load AC220V/0.5A, DC24V/2A: 10,000 times (Refer to GB/T14048.5)	
Mechanical Life	Latching:200,000 times, Momentary:1 million times, (Refer to GB/T14048.5)	
Limit Press Test	Keep 5s at the bottom, release again, 4 times /min, conduct 2000 tests	
ESD Electrostatic	Body mode: 2KV, customizable 8KV	
LED Rated Current	≤24V, ≤20mA; >24V, ≤10mA	
LED Type	Patch nonpolar twin chip LED	
LED Resistance	5-24V Built-in Resistance, 24VAn External Resistor	
LED Life	≥50000h (Reference)	
Certificate	CCC CE RoHS REACH	
Patent No.	ZL201930132100.3, ZL201930132095.6, ZL201920516569.1	
Quality Assurance	66 Months	


Outline Dimension


- 1mm² (NO)
- 0.3mm² (LED±)
- 0.3mm² (LED±)


 Connector: Cable length:150mm
 Other lengths can be customized

Connector