

LIMING RELAY

4250X WINCH RELAY

250A AMPS DC WINCH MOTOR REVERSING SOLENOID RELAY 12 VOLT CONTACTOR

Contact Data

Contact Arrangement	2C(2PDT)	
Contact Material	Alloy	
Contact Rating (resistive)	250A 12VDC	
Max. Switching Power	30,000W	
Max. Switching Voltage	75VDC @40A	
Contact Resistance	50m Ω Max	
Operational	Electrical	20,000 cycles continuous at 50A 12VDC , 2,000 cycles intermittent at 250A 12VDC
Electrical	Mechanical	100,000 cycles

Coil Parameter

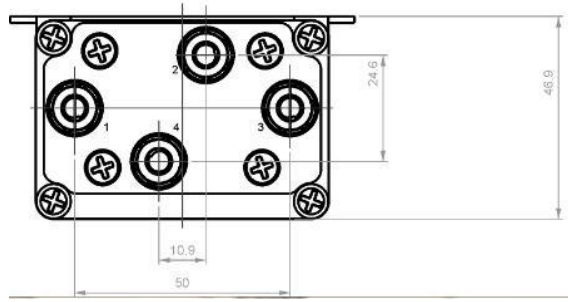
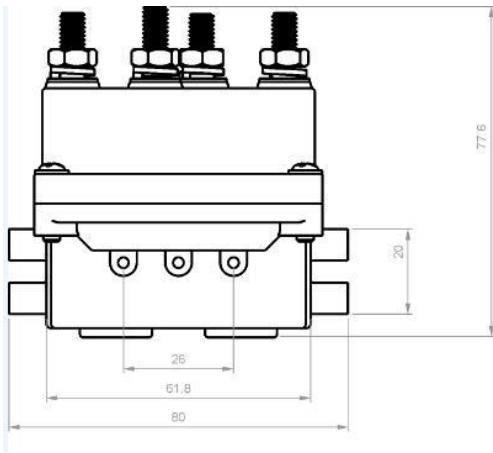
Nominal Voltage(VDC)	Max continue Voltage(VDC)	Coil Resistance $\Omega \pm 10\%$ at20 $^{\circ}$ C	Pick up Voltage (VDC at 20 $^{\circ}$ C)	Release Voltage(VDC at 20 $^{\circ}$ C)	Coil Power (W)
12	14.4	4.8	9.0	0.6	30

LIMING RELAY

Operation condition

Insulation Resistance	100M Ω min (at 500VDC)
Dielectric Strength	
Between contacts	50Hz 1000VAC
Between contact and coil	50Hz 1000VAC
Shock resistance	10G
Vibration resistance	10~55Hz double amplitude 1.5mm
IP LEVEL	IP67
Ambient Temperature	-40~55 $^{\circ}$ C
Relative Humidity	93% (at 40 $^{\circ}$ C)

Dimensions (mm)



Wiring:

