

P/N : ML-ZJL1(□ □)-SL01-IN

→Emitting color code:W、WW、R、PG、B、Y

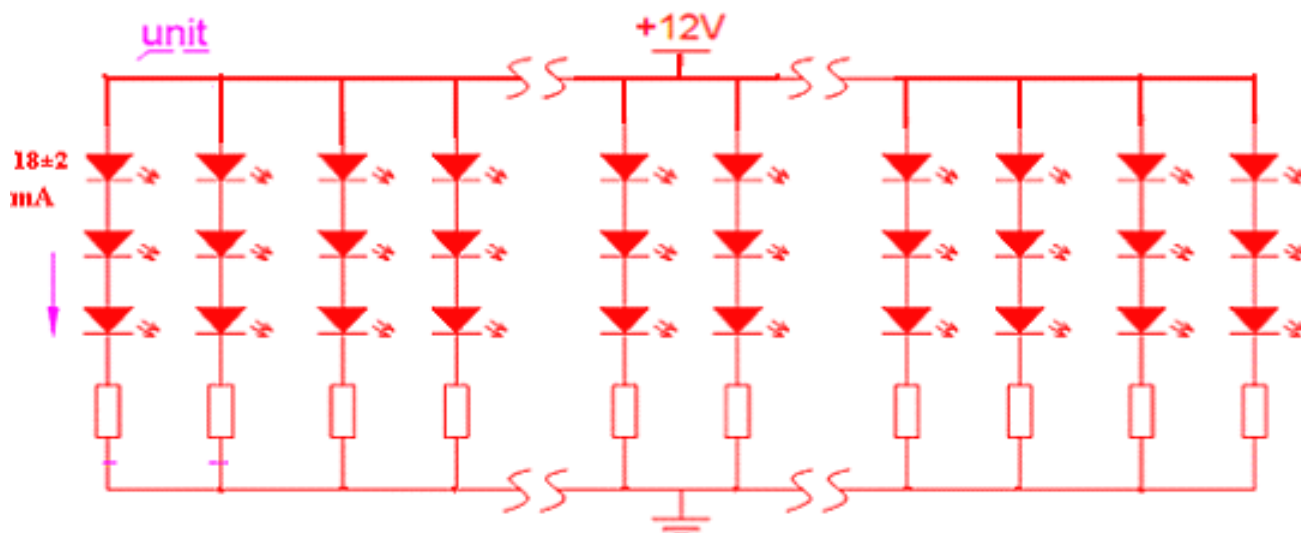


PACKAGE DIMENSIONS



Help:Black power lines is the positive electrode,and different colors representing different light with color.For example,the white lights with the power cord taht is white,and the blue lights with the power cord taht is blue,and so on.

INTERNAL CIRCUIT DIAGRAM



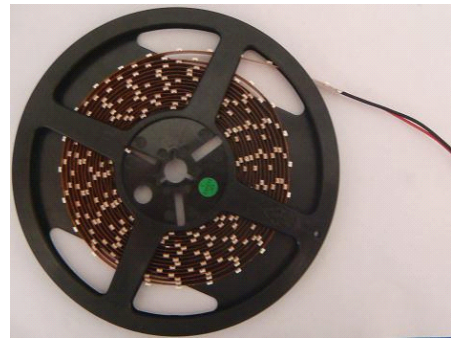
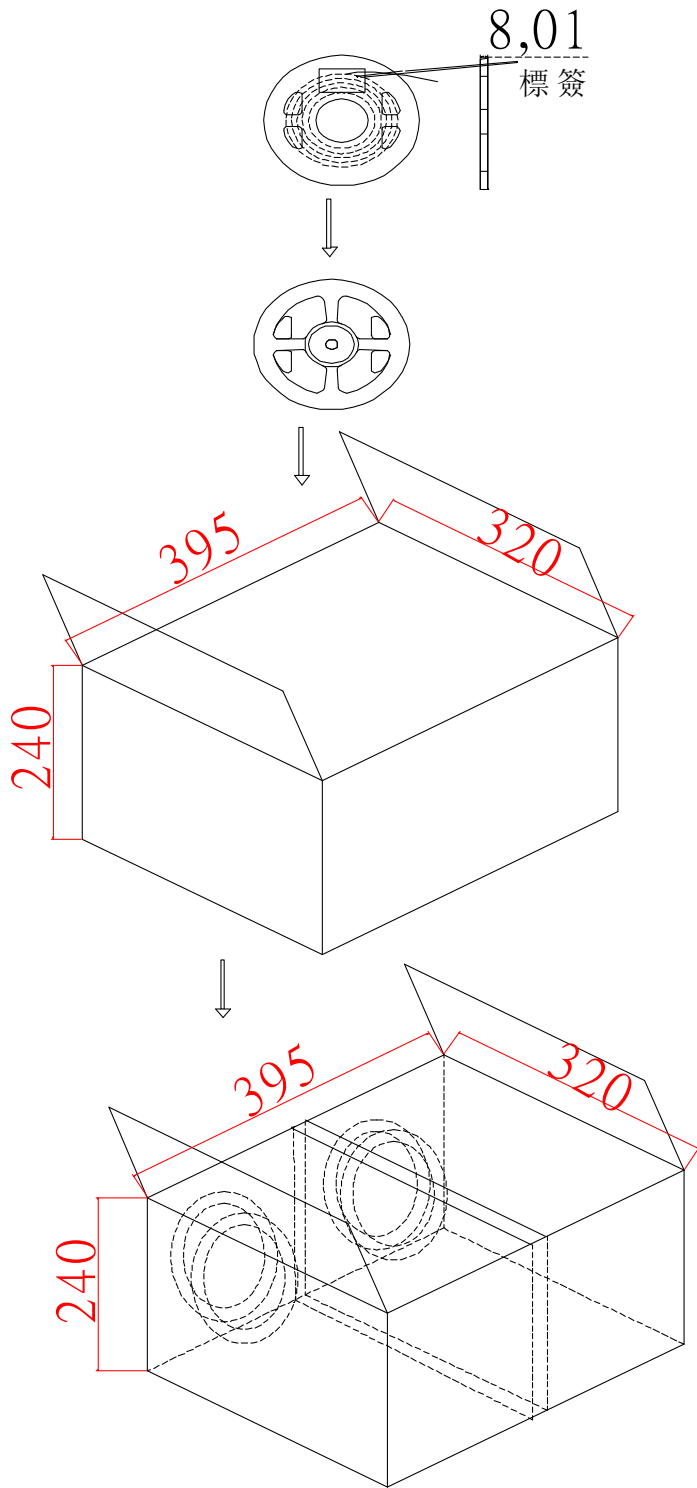
FEATURES

Parameter	Value					Unit
LED Color	White	Red	Green	Blue	Yellow	
Color Code	W	R	PG	B	Y	P/N
Luminous Intensity Per LED	1050	63	450	60	110	Mcd
Wave length	Yellowish White	620	522	465	580	nm
	Snow White					
	Bluish White					
LED Type	3528 SMD					
Width of the light	8					mm
Length of the light	5					M
Group number	100					PCS
Viewing Angle	120					Deg
Operating Voltage	12					V
Operating Current per unit	17±1					mA
Operating Current per set	1.7±0.1					A
Power Dissipation per unit	0.25					W
Power Dissipation per set	25					W
Operating Temperature	-25 ~ +60					°C
Storage Temperature	-40 ~ +80					°C
Weight per Unit	0.41±0.04					g

Precautions For Use :

Such lamps with indoor use, can not be used for outdoor.

Package Dimensions (Unit:mm)



Q'TY :	50	PCS
N.W. :	數量	KGS
G.W. :	箱體尺寸	KGS
MEST. 39.5 X 32 X 24 CM		



50set / BOX