

Feature

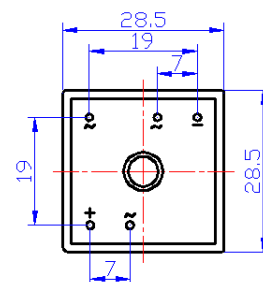
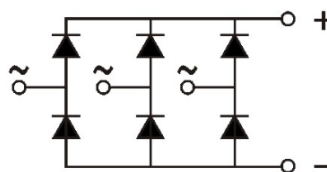
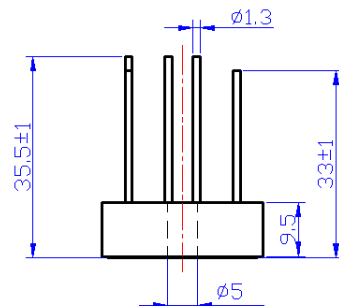
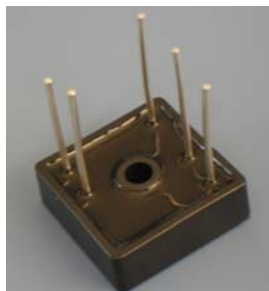
- Glass-passivated chip
- Low forward voltage drop
- Isolation voltage 2500V ~

Application

- Power supply for DC power device
- Input rectifier for PWM converter
- Power supply for DC device

Advantage

- Easy mounting
- Small volume, light weight
- Low thermal resistance, high heat-conduction rate
low temperature rise



■ Maximum value

Symbol	Parameter	Rating	Unit
		MT3512W	
V_{RRM}	Peak reverse repetitive voltage	1200	V
V_{RSM}	Peak reverse non-repetitive voltage	1300	V

Symbol	Parameter	Test condition	Rating	Unit
$I_{F(AV)}$	Forward average current	180° sine half-wave 50HZ single-sided heat dissipation $T_C=55^{\circ}C$	35	A
I_{FSM}	Forward surge current	$t=10ms, 50HZ, sin, T_{jm}$	400	A
I^2t	I^2t value		660	A ² S
V_{ISO}	Isolation voltage	AC one minute	2500	V
T_j	Operating junction temperature		-40 to +150	°C
T_{jm}	Rated junction temperature		150	°C
T_{stg}	Storage temperature		-40 to +125	°C
M_d	Mounting torque M5		2	N·m
W_t	Weight		21	g

■ Electrical characteristics

Symbol	Parameter	Test condition	Rating	Unit
I_{RRM}	Peak reverse repetitive current	$V_R=V_{RRM}, \text{ sine half-wave}, T_j=25^{\circ}C$	5	μA
		$V_R=V_{RRM}, \text{ sine half-wave}, T_j=150^{\circ}C$	3	mA
V_{FM}	Peak forward voltage	$I_{FM}=17.5A, T_j=25^{\circ}C$	1.1	V
$R_{th(j-c)}$	Thermal impedance (junction-case)	Single-sided heat dissipation, sine half-wave	1.4	°C/W