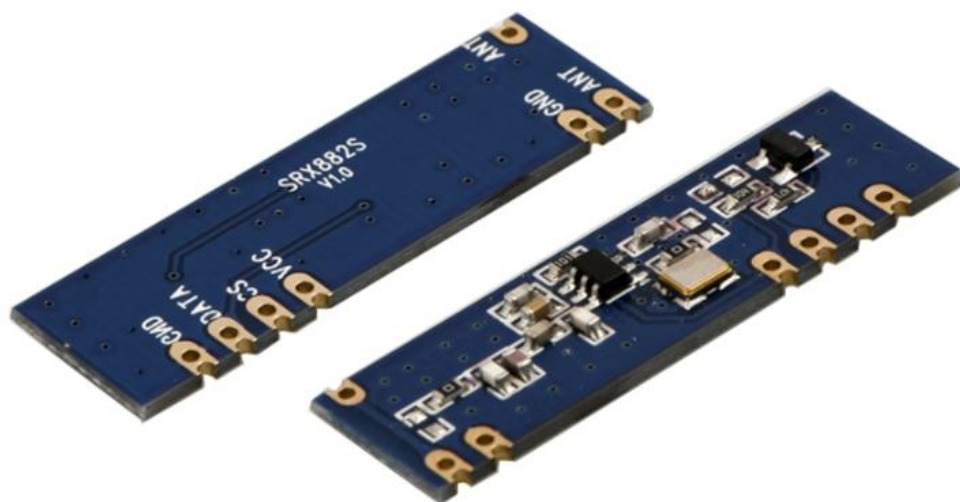


SRX882S Receiver module:

- SRX882S is a new superheterodyne receiver module launched by NiceRF. With low power consumption, wide voltage and high sensitivity, it can be used with STX series ASK transmitter module in NiceRF. It complies with the certification of ROHS, FCC, ETSI and CE. The module is easy to use and can be connected to the micro controller directly.
- SRX882 is manufactured and tested strictly using lead-free process and complies with RoHS and Reach standard
-



Features:

- Frequency Range: 433/315 MHz
- ASK /OOK modulation mode
- Super anti-power interference
- Low-power sleep less than 1uA
- Low self radiation
- Small size
- Frequency stability and reliability
- Various international testing standards

Application:

- Remote door
- Wireless security alarm
- Wireless industrial control
- Wireless data transmission

SRX882S Specification:

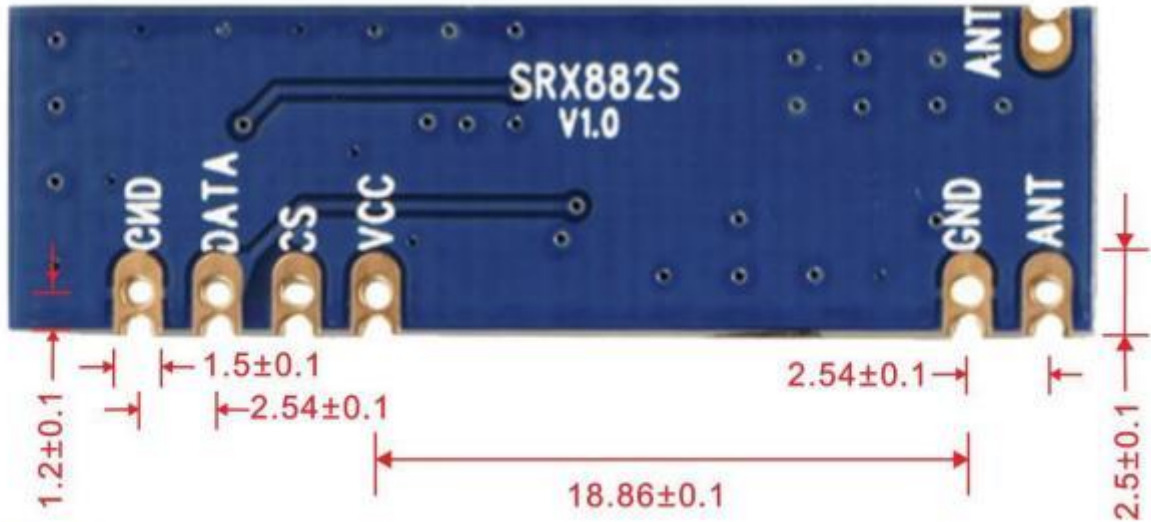
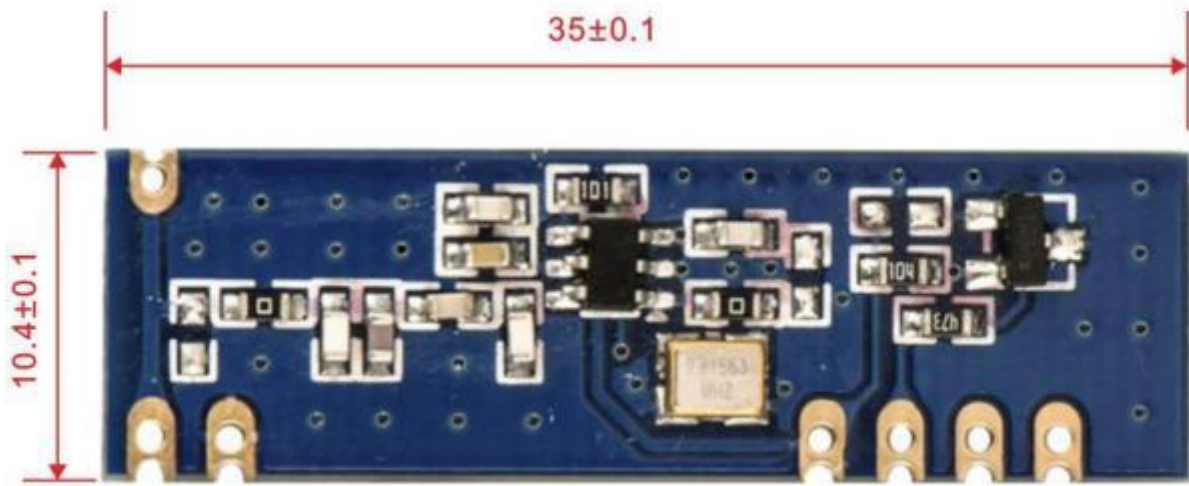
Parameter	Min	TP	Max	Unit	Condition
Operation conditions					
Supply Voltage	2.0	3	5.5	V	
Operating Temperature Range	-30		80	°C	
Receiving Start Time			3	ms	@433MHz
Current consumption					
Working Current		<3		mA	@433MHz
		<0.1		uA	@CS=0
RF parameters					
Frequency Range	433.82	433.92	434.02	MHz	@433MHz
	314.9	315	315.1	MHz	@315MHz
Sensitivity		-107		dBm	@1Kbps
Air rate	0.1		9.6	kbps	
Receiver bandwidth		200		KHz	

SRX882S Pin definition:



Pin Number	Pin Definitions	Description
1	ANT	Connect with 50 ohm coaxial antenna
2	GND	Connected to power ground
3	VCC	Positive power supply
4	CS	1: Normal working 0: Sleep mode
5	DATA	Data output
6	GND	Connected to power ground
7	ANT	Connect with 50 ohm coaxial antenna

SRX882S Mechanical Dimension:



Thickness < 2.2mm

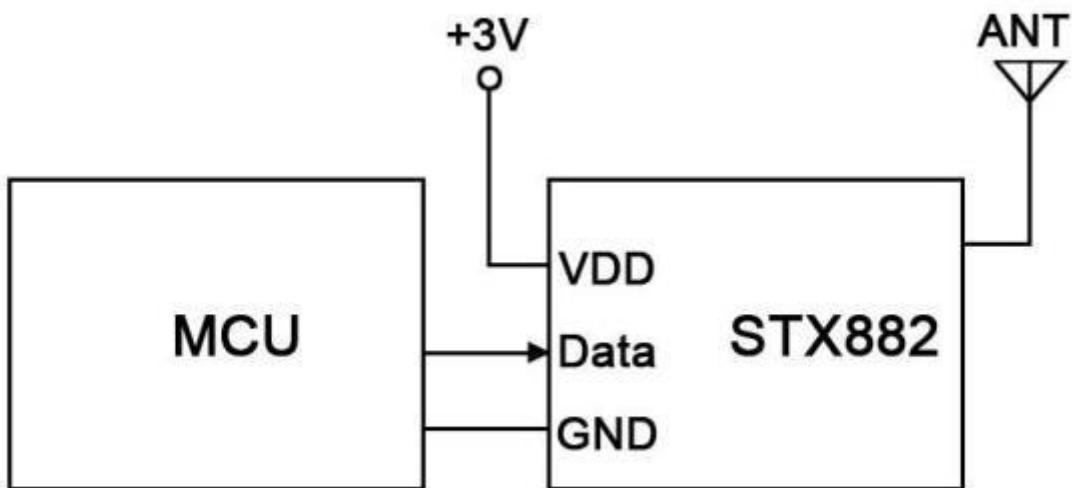
Product details

STX882 ASK Transmitter Module:

STX882 is a low cost, small size, ultra-high-power, low harmonic ASK transmitter module. Has high stability and high cost, at 3.6V power to achieve 50mW, is currently on the market under the same voltage transmit power ASK transmitter module. The module can be connected to the microcontroller directly. So it is more convenient for user developing wireless products.



STX882 connection Schematic:



Features:

- Frequency Range: 433/315 MHZ
- ASK modulation mode
- Small volume low self radiation
- High-power long-range
- Frequency stability
- Various international testing standards

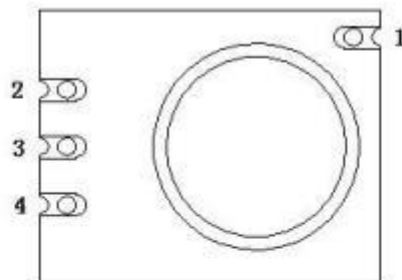
Application:

- Remote door
- Wireless security alarm
- Wireless industrial control
- Wireless data transmission

STX882 Specification:

Parameter	Min.	Typ.	Max.	Unit	Condition
Operation Conditions					
Supply Voltage	1.2	3.0	6.0	V	
Operating Temperature Range	-20	25	70	°C	
Current Consumption					
TX current		34		mA	@3.3V,15dBm
Sleep current		≤0.01		uA	@DATA at Low level
RF Parameters					
Frequency Range	433.82	433.92	434.02	MHz	@433MHz
	314.9	315	315.1	MHz	@315MHz
RF Power	12	13	13.5	dBm	@2.4V
	14	15	15.5	dBm	@3V
	19.5	20	20.5	dBm	@5V

STX882 Pin definition:



Pin Number	Pin Definitions	Description
1	ANT	Antenna input
2	DATA	Data input
3	VCC	Positive power supply
4	GND	Connected to power ground

STX882 Mechanical dimension

