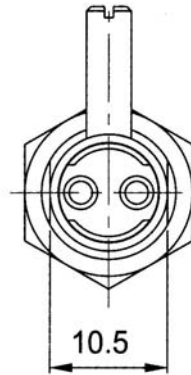
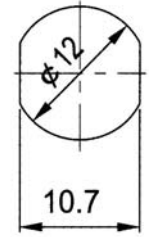
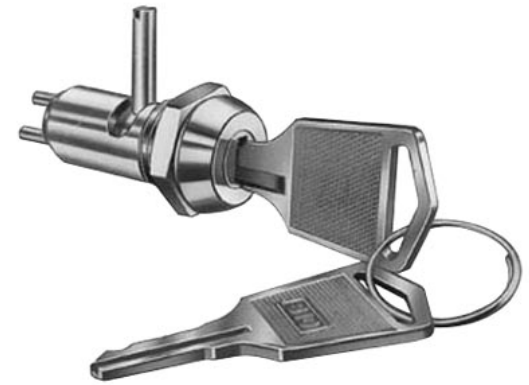
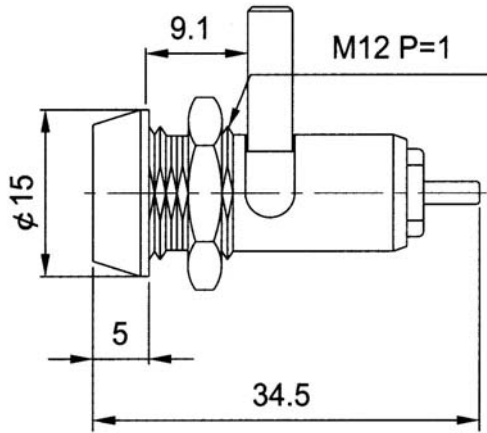
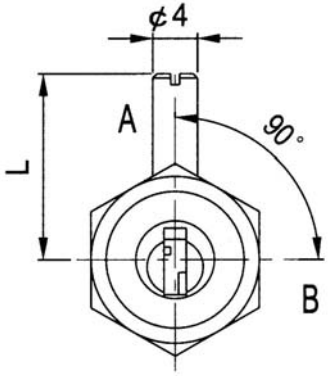


- - Off position
- ▬ - Indicates key pull
- - Indicates no key-pull



**SPECIFICATIONS**

- Zinc alloy die cast housing and cylinder
- Stainless steel capped bezel
- 4 disc tumbler mechanism
- Brass keys, nickel plated
- "L" dimension 13mm standard, other dimensions available on request
- Dual-function key lock switch
- Key-pull in off and on positions
- Silver plated contacts and terminals
- 2 positions (off-on), 2 terminals
- Hex nut or speed clip mounted
- All keyed alike or 20 combinations standard
- 20 combinations available



Series	Style	Key combinations
SWTK	S1096-2	X
Key lock switch	ø12mm cylinder, key-pull in off and on positions	A=All keyed alike B=All keyed different (up to 20 combinations) C=Customer specified

RoHS compliant

Rev.	Description	Date	Approved	Drawing	Name	Date
				Approved	Howard	08/10/99
				Checked	Lizzy	08/10/99
				Drawn	Tina	08/10/99
				0.0 ± 0.35	0.00 ± 0.20	Angles ± 3'
				UNIT: mm		

**Central Components Manufacturing**  
 440 Lincoln Blvd., Middlesex, New Jersey 08846  
 Phone 732 469-5720 888 288-5152 Fax 732 469-1919

Part No.: **SWTK-S1096-2-X**  
 Description: Dual function key lock switch, 12mm diameter, 2 positions, 2 terminals, key-pull in off and on positions