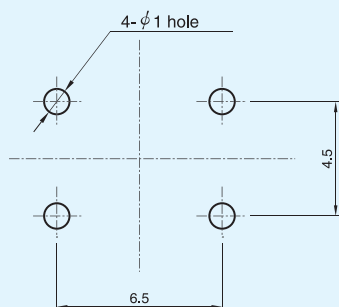


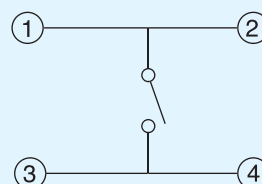
	h	Stem
N	4.3	
A	5	
B	7	
C	9.5	
D	17	
T	7.3	

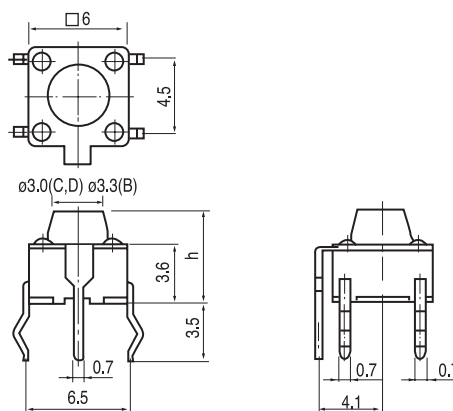
Description		Model	TM114N	TM114J	TM114S	TM114H
Operating Force (gf)			130±30	160±30	200±50	260±50
Stem Color			Black	Blue	Gray	Red
Life Cycle (min)			100,000	100,000	100,000	100,000
Rating (max)			50mA , 12V DC			
Stroke (mm)			0.25±0.1			
Contact Resistance			100 mΩ max			
Feature			Economical design			
Application			Audio, TV, VCR, Office equipment , Communication apparatus etc.			
Packaging	Bulk		1,000 pcs/Bag			
	Reel		-			

P.C.Board layout



Circuit Diagram

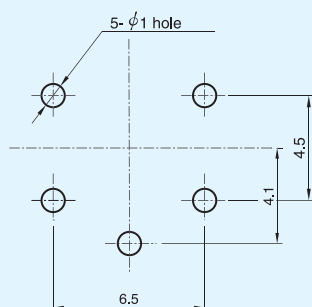




	<i>h</i>	Stem
N	4.3	
A	5	
B	7	
C	9.5	
D	17	
T	7.3	

Description	Model	TM115N	TM115J	TM115S	TM115H
	Operating Force (gf)		130±30	160±30	200±50
Stem Color		Black	Blue	Gray	Red
Life Cycle (min)		100,000	100,000	100,000	100,000
Rating (max)		50mA , 12V DC			
Stroke (mm)		0.25±0.1			
Contact Resistance		100 mΩ max			
Feature		Economical design, Ground			
Application		Audio, TV, VCR, Office equipment, Communication apparatus etc.			
Packaging	Bulk	1,000 pcs/Bag			
	Reel	-			

P.C.Board layout



Circuit Diagram

