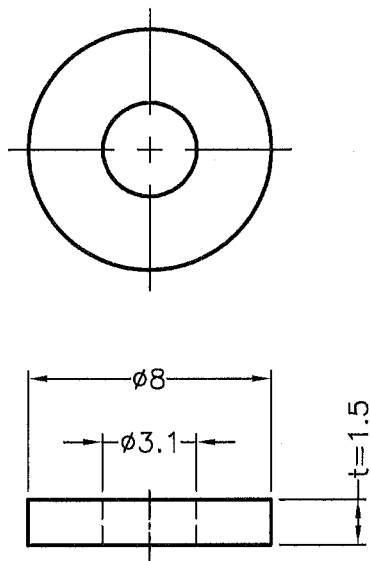


REVISIONS			
REV	DESCRIPTION	DATE	BY



NOTE: All measurement does not include gate which raises under 0.3mm.

PART NO.	COLOR
WS3-15	NATURAL
WS3-15(B)	BLACK



 康揚企業股份有限公司 KANG YANG HARDWARE ENTERPRISE CO., LTD. 康揚塑膠(東莞)有限公司 KANG YANG PLASTIC(DONG GUAN) CO., LTD. 康哲電腦配件(吳江)有限公司 KANG CHE COMPUTER COMPONENTS(WUJIANG) CO., LTD.	TITLE		WASHER		SPEC. DWG.		
	MATERIAL		NYLON 66 UL94V-2		DATE		1997.08.23
	FINISH				DRAWN		JASON
	COLOR		SEE ABOVE		CHECK		
PART NUMBER		DRAWING NUMBER		UNLESS OTHERWISE SPECIFIED TOLERANCE		APPROVED	
SEE ABOVE		WS3-15		±0.2			
SIZE	SCALE	UNIT	REV				
A4	4:1	mm	B				