

## Application

YTTM1 series moulded case circuit breaker is a new type product developed and manufactured by Adopting international advanced technology. It is supplied with rated insulation voltage 660V and used for circuit of AC 50Hz, rated operation voltage AC 400V or below rated operation current up to 125A for infrequent changing over and starting of the motors. Equipped with the protection devices for over-current, short circuit and under voltage, the product is capable of preventing damage of circuits and supply units. The product conforms to IEC60947-2 standard.



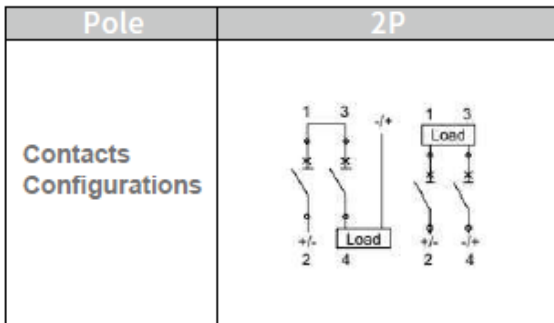
## Specifications

Product Model	YTTM1-125
Pole	2P
Colour	White
Rated Current (A)	32, 40, 63, 80, 100, 125
Rated Working Voltage(V)	400
Rated Insulated Voltage(V)	660
Limiting Short Circuit Breaking Capacity(kA)	25
Operating Short Circuit Breaking Capacity(kA)	19
Characteristic Curve	C
Standard	IEC60947-2
Frequency	50/60Hz

## Features

1. Small volume
2. High breaking capacity
3. Electric arcing short
4. Anti-vibration

## Wiring diagram



## Dimension

