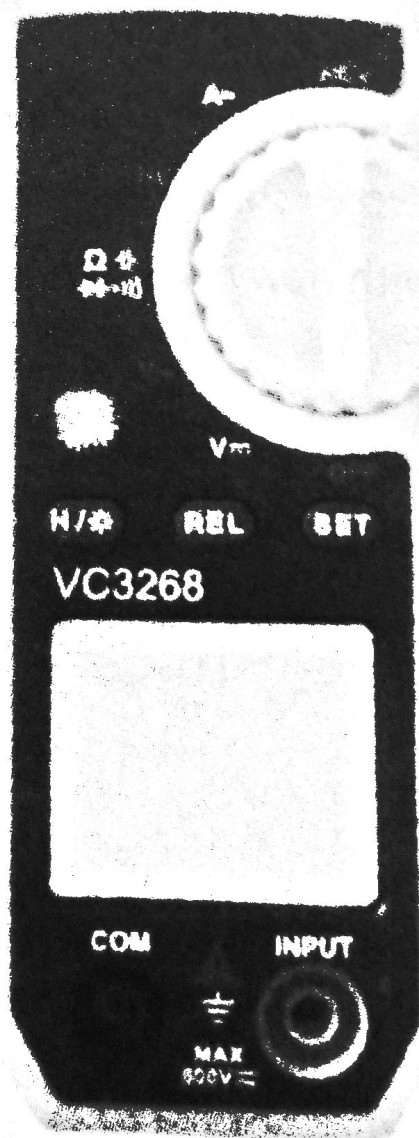


Operating instruction



OPERATION MANUAL


1. SAFETY INFORMATION

This Mini-sized digital clamp multimeter has been designed according to IEC61010 oncoming electronic measuring instruments with an over voltage category (CAT II 600V) and Pollution degree 2.

WARNING

To avoid possible electric shock or personal injury, follow these guidelines:

- a. Do not use the meter if it is damaged. Before you use the meter, inspect the case. Pay particular attention to the insulation surrounding the connectors.
 - b. Inspect the test leads for damaged insulation or exposed metal. Check the test leads for continuity. Replace damaged test leads before you use the meter.
 - c. Do not use the meter if it operates abnormally. Protection may be impaired. When in doubt, have the meter serviced.
 - d. Do not operate the meter around explosive gas, vapor, or dust.
 - e. Do not apply more than the rated voltage, as marked on the meter, between terminals or between any terminal and earth ground.
 - f. Before use, verify the meter's operation by measuring a known voltage.
 - g. When measuring current, turn off circuit power before connecting the meter in the circuit.
 - h. When servicing the meter, use only specified replacement parts.
- Use with caution when working above 30V ac rms, 42V peak,


- or 60 dc. Such voltages pose a shock hazard.
- j. When using the probes, keep your fingers behind the finger guards on the probes.
 - k. Connect the common test lead before you connect the live test lead. When you disconnect test leads, disconnect the live test lead first.
 - l. Remove the test leads from the meter before you open the battery door.
 - m. Do not operate the meter with the battery door or portions of the cover removed or loosened.
 - n. To avoid false readings, which could lead to possible electric shock or personal injury, replace the batteries as soon as the low battery indicator (")" appears.
 - o. CAT II - Measurement Category [I] is for measurements performed on circuits directly connected to low voltage installation. (Examples are measurements on household appliances, portable tools and similar equipments.) Do not use the meter for measurements within Measurement Categories II or IV.

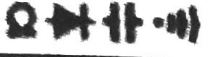
2. INTRODUCTION

This manual provides all safety information, operation instruction, specifications and maintenance for the meter, which is compact, handheld, and battery operated.


This instrument performs AC/DC voltage, DC/AC Current, Resistance, Audible Continuity, Diode, Temperature measurements and Non-Contact ACV Detect (NCV) as well as Capacitance, Hz etc. It is an auto ranging DMM with AC/DC current clamp meter function.

3. CAUTION

To avoid damage to the meter, don't apply input which exceeds the limit shown below: 

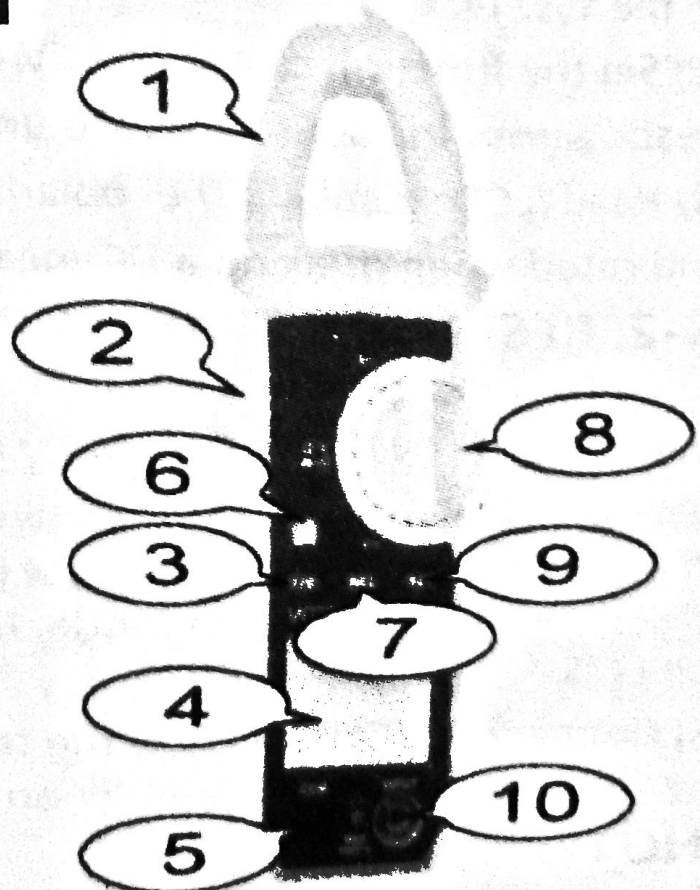
Function	Terminals	Input Limits
DCV/ACV	V Ω & COM	600V DC or 600V rms AC
	V Ω & COM	250V DC or rms AC
$^{\circ}\text{C}$, Hz	V Ω & COM	250V DC or rms AC

4. GENERAL CHARACTERISTICS

- Display : 3/4 Digit, updates 2/sec.
- Polarity Indication : "-" displayed automatically
- Over-range Indication : "OL" displayed
- Low Battery Indication : "" displayed
- Operation Temperature : 0 $^{\circ}\text{C}$ to 40 $^{\circ}\text{C}$, less than 75%RH
- Storage Temperature : -10 $^{\circ}\text{C}$ to 50 $^{\circ}\text{C}$, less than 80%RH
- Battery Type : (AAA size) 1.5Vx2PCS
- Dimension(HxWxD) : 183x65x32mm with Jaw Open ψ 24mm
- Weight : Approx 133g
- Accessories : Operator's Manual, Battery, Test Leads
K-Type thermocouple(for 3269)

5. PANEL DESCRIPTION

- 1) Transformer jaw
- 2) Clamp trigger
- 3) LCD backlight and value hold buttons
- 4) LCD Display
- 5) COM Input Terminal
- 6) NCV LED Indication
- 7) Manual range switching
- 8) Function rotated switch
- 9) Function Select button
- 10) V, Ω , $^{\circ}\text{C}$,Hz Input Terminal



6. SPECIFICATIONS

Accuracy is guaranteed for 1 year 23°C±5°C less than 75%RH

6-1. AC VOLTAGE (Auto ranging)

Range	Resolution	Accuracy
4V	1mV	±(1.5% + 3d)
40V	10mV	
400V	100mV	
600V	1V	

Input Impedance: more than 10MΩ; Frequency Range: 40 to 400Hz.

6-2. DC VOLTAGE (Auto ranging)

Range	Resolution	Accuracy
400MV	0.1MV	±(1.5% + 5d)
4V	1mV	±(1.0% + 3d)
40V	10mV	
400V	100mV	
600V	1V	

Input Impedance: more than 10MΩ

6-3. RESISTANCE (Auto Ranging)

Range	Resolution	Accuracy
400Ω	0.1Ω	±(1.2% + 3d)
4KΩ	1Ω	
40KΩ	10Ω	
400KΩ	100Ω	
4MΩ	1kΩ	
40MΩ	10kΩ	±(1.5% + 5d)

6-4. AC CURRENT (Auto ranging)

Range	Resolution	Accuracy
40A	10mA	$\pm(2.5\% + 3d)$
400A	100mA	

Measuring voltage drop: 200mV; Frequency Range: 40 to 400

6-5. FREQUENCY (Auto ranging)

Range	Resolution	Accuracy
10Hz~400kHz	1Hz	$\pm(1.0\% + 5d)$
400kHz~4MHz	1kHz	$\pm(2.0\% + 5d)$

Input Voltage Limit: Max.250V(<4M Hz).

6-6. CAPACITANCE (Auto ranging)

Range	Resolution	Accuracy
1nF ~ 4 μ F	0.01n~0.01uF	$\pm(2.5\% + 10d)$
4 μ F ~ 400uF	0.1uF	$\pm(4.0\% + 20d)$
4mF	1uF	$\pm(5.0\% + 30d)$

6-7. TEMPERATURE (only 3269)

Range	Resolution	Accuracy	
		0~400°C	400~750°C
		32~752°F	752~1382°F
0~750°C	1°C	$\pm(2.0\%+1^{\circ}\text{C})$	$\pm(2.5\%+1^{\circ}\text{C})$
32~1382°F	1°F		

6-8. Non-Contact AC VOLTAGE Detection(NCV)

One Special Front LED Lighting for indication of over AC100V source without directly contact.

7. CONTROL BUTTON DESCRIPTION


7-1. HOLD AND LCD BACKLIT BUTTON(H/☀)

1. When you press this button briefly, LCD will show the last reading, and "H" symbol will appear till pushed again. Data holding will be cancelled automatically when the function switch is rotated.
2. When you hold this button down for about 2 seconds. LCD will be backlit and lighting remains about 15 second before automatically turned off.

7-2. Manual range selection(REL)

Press this key briefly for manual range selection;
Press and hold for about 2 seconds to deactivate.

7-3. Function select button(SET)


1. This key is used to switch between ();
2. Ac and dc voltage switching(only 3269).

8. OPERATION INSTRUCTION

8-1. AC/DC VOLATAGE MEASUREMENT

- 1) Connect the BLACK test lead to the COM jack and the RED to the V/ Ω jack.
- 2) Set the function switch at ACV or DCV position, connect test leads across the source or load under measurement.
- 3) Read LCD display. The polarity of RED test lead will be indicated when making a DC measurement.

8-2. RESISTANCE MEASUREMENT

- 1) Connect the BLACK test lead to the COM jack and the RED to the V/ Ω jack. (NOTE: The polarity of the RED lead is positive "+", and the BLACK is negative "-").
- 2) Set the function switch at  position, and then Push "SEL" button to select Ω Mode, then the symbol " Ω " is shown on LCD.
- 3) Connect test leads across the resistance under measurement, and then get the test readings on LCD.




NOTE:

- 1) For resistance above $2\text{ M}\Omega$ or $4\text{ M}\Omega$, the meter may take a few seconds to stabilize reading. This is normal for high resistance measuring.
- 2) When the input is not connected, i.e. at open circuit, the figure "OL" will be displayed under over-range condition.
- 3) When check in circuit resistance, be sure the circuit under test, has all power removed and all capacitors are fully discharged.

8-3. AC CURRENT MEASUREMENT

- 1) Set Function/Range Switch to the AC range(s).
- 2) Press the trigger to open the transformer jaws. And clamp one conductor only it is impossible to make measurements when two or three conductors are clamped at the same time.
- 3) Display reading is showing the conductor AC current.

8-4. AUDIBLE CONTINUITY/DIODE TEST


- 1) Connect the BLACK test lead to the COM jack and the RED to the V/Ω jack.
- 2) Set the function switch at  position and push the button "SEL" to select continuity or diode test mode. Then the symbol " or  " is shown on LCD.
- 3) In continuity test, if the circuit resistance under test is lower than 50Ω , built-in buzzer will sound.
- 4) If diode test mode is selected, connect the RED and BLACK test leads to anode and cathodes of the diode under test separately. The forward voltage drop of diode will be displayed.

8-5. FREQUENCY TEST

- 1). Connect the BLACK test lead to the COM jack and the RED test lead to the V/Ω Hz jack.
- 2). Put the range selector at "Hz" position, and connect the test leads across the resistance under measurement.
- 3). Take the reading from LCD.

Note: When test the high Frequency $> 1\text{MHz}$, the input Voltage must be less than 10V for getting the accurate value.

8-6. CAPACITANCE MEASUREMENT

- 1) Connect the BLACK test lead to the COM jack and the RED test lead to the V/ Ω jack.
(Note: The polarity of the RED test lead is "+")
- 2) Put the range selector at  position, and connect the test leads across the Capacitor under measurement.
Disconnect the capacitor with the outer power source.
- 3) Check if the "F" mark on the LCD. If not, push the "SET" button one or more times until shown.
- 4) Take the reading from LCD. When test the large capacitor, it's normal to take more time for getting the values on LCD.

NOTE: Make sure of discharging all the capacitor's electricity completely before measurements.

8-7. TEMPERATURE MEASUREMENT(only 3269)

- 1) Set the function range switch at the $^{\circ}\text{C}$ position.
- 2) Make sure the polarity of the thermocouple correct, put the Black pin terminal of the K-type thermocouple sensor into the COM jack and the RED pin terminal into the V/ Ω / $^{\circ}\text{C}$ jack.
- 3) Set the working end (testing end) on or inside the object under test.
- 4) The value of the temperature is shown on the display in degree centigrade ($^{\circ}\text{C}$).

NOTE:

- a) The testing temperature is displayed automatically when the thermocouple sensor is put into the testing holes.
- b) The surrounding temperature is shown when the circuit of the sensor is cut off.
- c) The limit temperature measured by the thermocouple given


together with the instrument is 250°C/482°F; 300°C/572°F is acceptable within short period.

8-8. Non-Contact AC VOLTAGE Detection (NCV)

- 1) Set the function range switch at the NCV position. Then the NCV indicating LED light is flashing.
- 2) Take the clamp jaw close to the AC signal.
- 3) Then the NCV indicating LED is constantly flash and the Beeper sounding at the same time. once ACV > 100V.

NOTE: Don't try to contact the testing place with this tester. No display on LCD at this range.

9. BATTERY REPLACEMENT

If the sign "  " appears on the display, it indicates battery should be replaced. Remove screws and open the back case, replace the exhausted batteries with new ones (AAA 1.5V *2pc or equivalent).