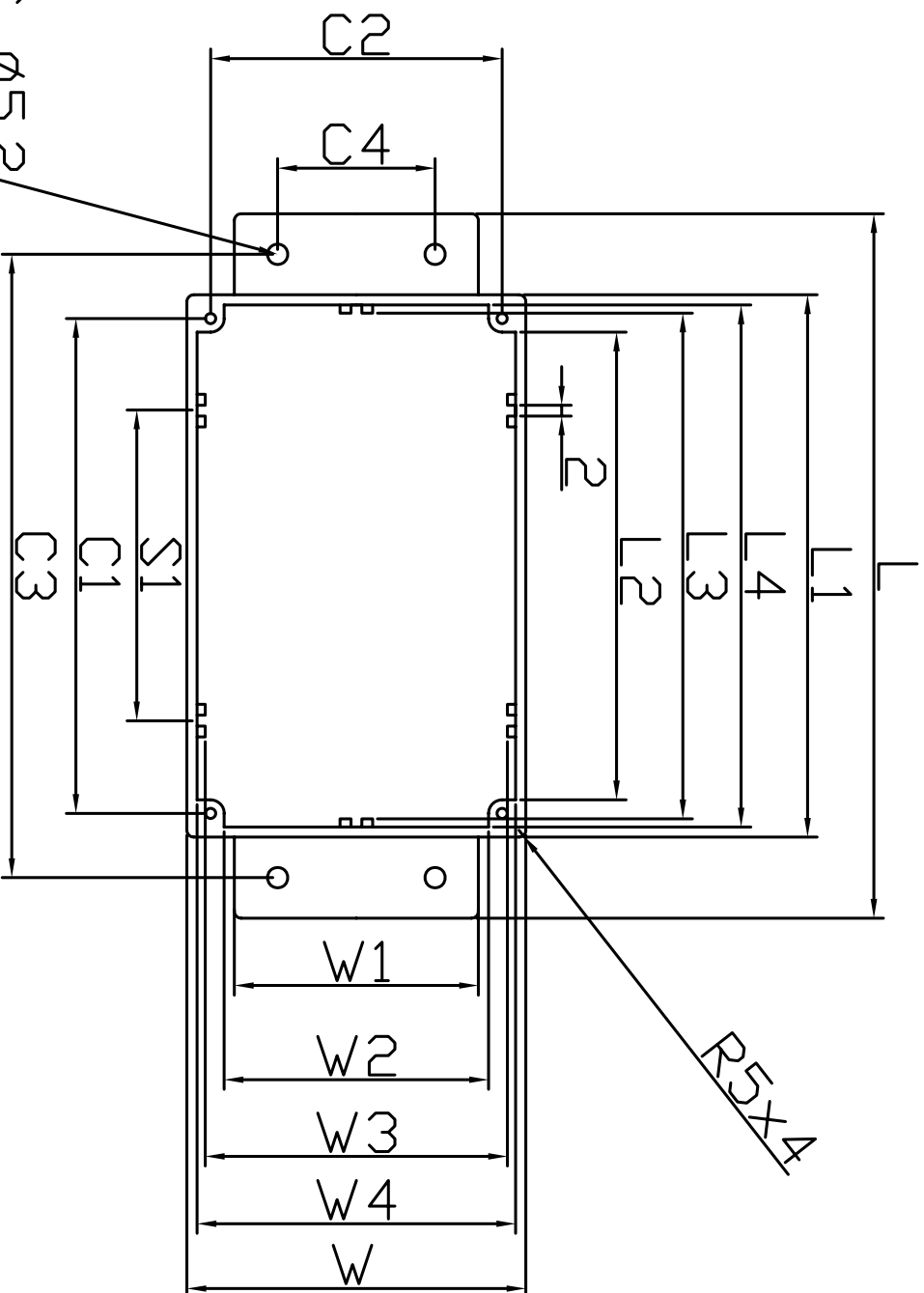


4 HOLES $\phi 5.2$



Gain'ta Item NO.	L	L1	W	W1	H	C1	C2	C3	C4	S1	L2	L3	L4	W2	W3	W4	H1
B029MF/BS29MF	168.7	139.3	101.6	79.0	76.5	128.8	90.9	157.1	60.1	65.0	122.2	131.2	135.4	84.0	93.1	97.5	70.1
B023MF/BS23MF	149.8	120.1	100.2	80.0	35.6	108.2	88.3	137.0	60.0	45.2	101.8	112.2	116.5	81.9	91.7	95.9	28.8

宣文實業有限公司
GAIN'TA INDUSTRIES LTD.

設計
BY
DES'D

繪圖
BY
DRAW'D

核圖
BY
CHK'D

比例
SCALE

日期
DATE

材質
MATE.

圖名
TITLE:

BXXXXMF-4HOLE-6PCB

圖號
DWG NO.

圖號
REVISED

說明
DESCRIPTION