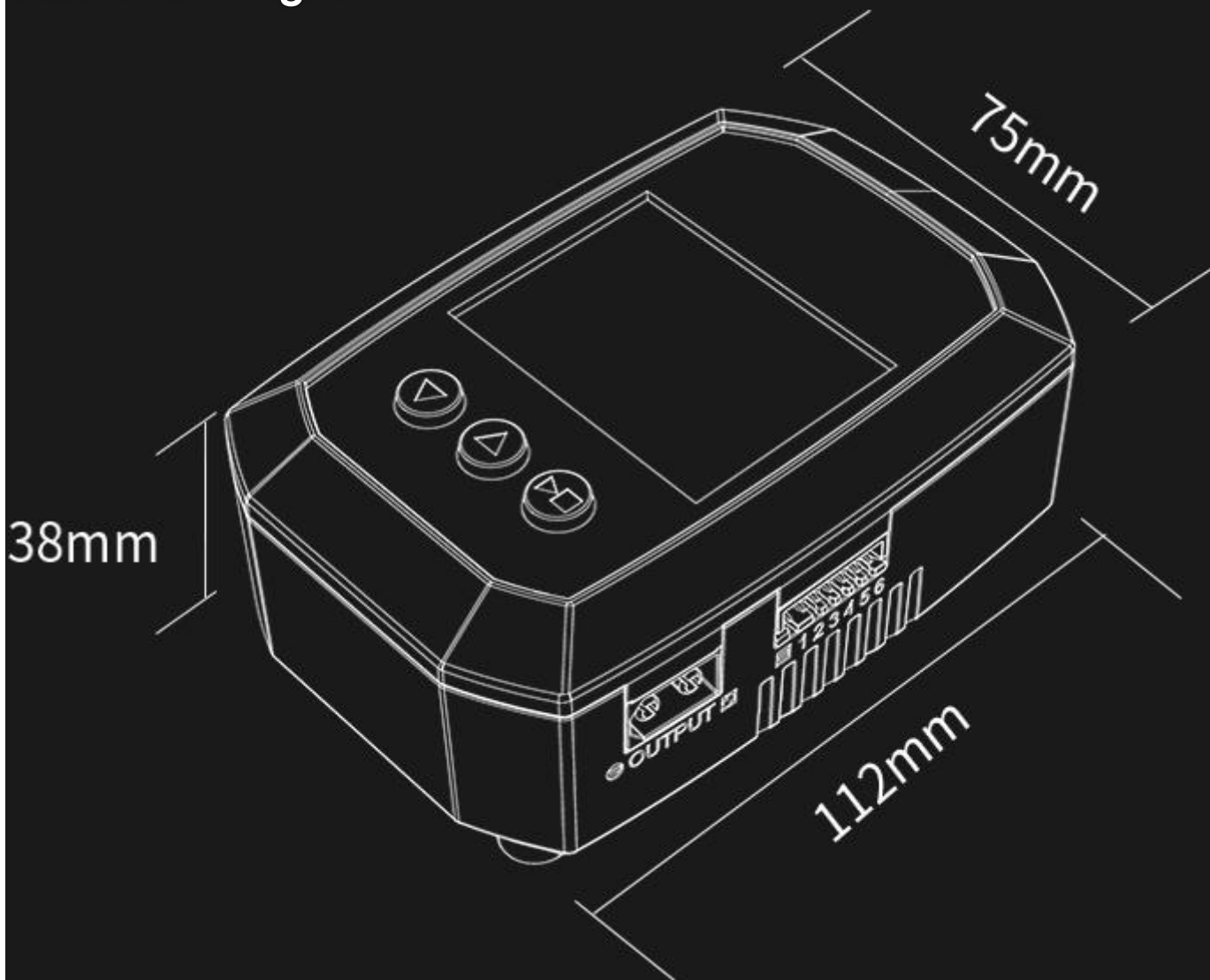


Specifications

B6 Nex

With dual AC/DC power input, this charger is suitable for charging and discharging of LiFe/ Lilon/ LiPo/ LiHV/ NiMH/ NiCd/ PB batteries. Protection is built-in such as high/low input voltage, and input/output reverse, reverse polarity protection.

Size and Weight



Case Material: Plastic

Case Size: 112x75x38mm

Weight: 237.7g

Display

Type: VA LCD

Buttons And Port

External Port: 2-6S Balance Socket-XH, Battery Socket, DC Input, AC Input

Buttons: Increase Button, Decrease Button, Start/Stop Button

Power

DC Input : 10-30V

Charge: 200W

Discharge: 10W

AC Input: 100-240V(50-60HZ)

Charge: 50W

Discharge: 10W

Battery

BatteryTypes/Cells:

LiPo/Lilon/LiFe/LiHV: 1-6cells

NiMH/NiCd: 1-15cells

Pb: 1-10S(2-20V)

Battery Capacity Range:

NiMH/NiCd: 100-50000mAh

LiPo/Lilon/LiFe/LiHV: 100-50000mAh

Pb: 100-50000mAh

Charge and Discharge

Charge Voltage

NiMH/NiCd: Delta peak detection

LiPo: 4.18-4.25V/cell

LiFe: 3.58-3.7V/cell

Pb: 2.4V/cell

Lilon: 4.08-4.2V/cell

LiHV: 4.25-4.35V/cell

AGM/COLD: 2.45V/cell

Discharge Cut-off Voltage

NiMH/NiCd:0.1-1.1V/cell

LiPo: 3.0-3.3V/cell

LiFe: 2.6-2.9V/cell

Pb: 1.8V/cell

Lilon: 2.9-3.2V/cell

LiHV: 3.1-3.4V/cell

Charge Current: 0.1A-10.0A

Discharge Current: 0.1A-2.0A

Balance Cells: 1-6 cells

Balance Current: 1000mA/cell Max

Safety Timer: 1-720minutes off

Charge Method:

CC/CV for lithium types and lead(Pb) batteries Delta-peak Sensitivity for NiMH/NiCd.

Free App



SkyCharger



Scan with your Smartphone to download.

Smart Phone Control (both iOS and Android) The free SkyCharger App unleashes tons of features and advanced settings, which tremendously expands the user experience of B6 Nex.

11

Supports 11 Languages

Simplified Chinese, Traditional Chinese, English, Japanese, Spanish, Swedish, Polish, French, Czech, Italian, German, Bokmal Norwegian

Bluetooth connection

Bluetooth 5.0, APP support operation, charge and discharge complete push notification, upgrade

Working and Storage

Operating temperature: 0°C-40°C

Working humidity: 0%-75%

Storage temperature: -10°C-70°C

Storage humidity: 0%-75%